

# PUMP PARTS

Product Catalog 2023

# INTELLIFLO® & INTELLIPRO® PUMP DRIVE PART NUMBER HISTORY

## REPLACEMENT PARTS

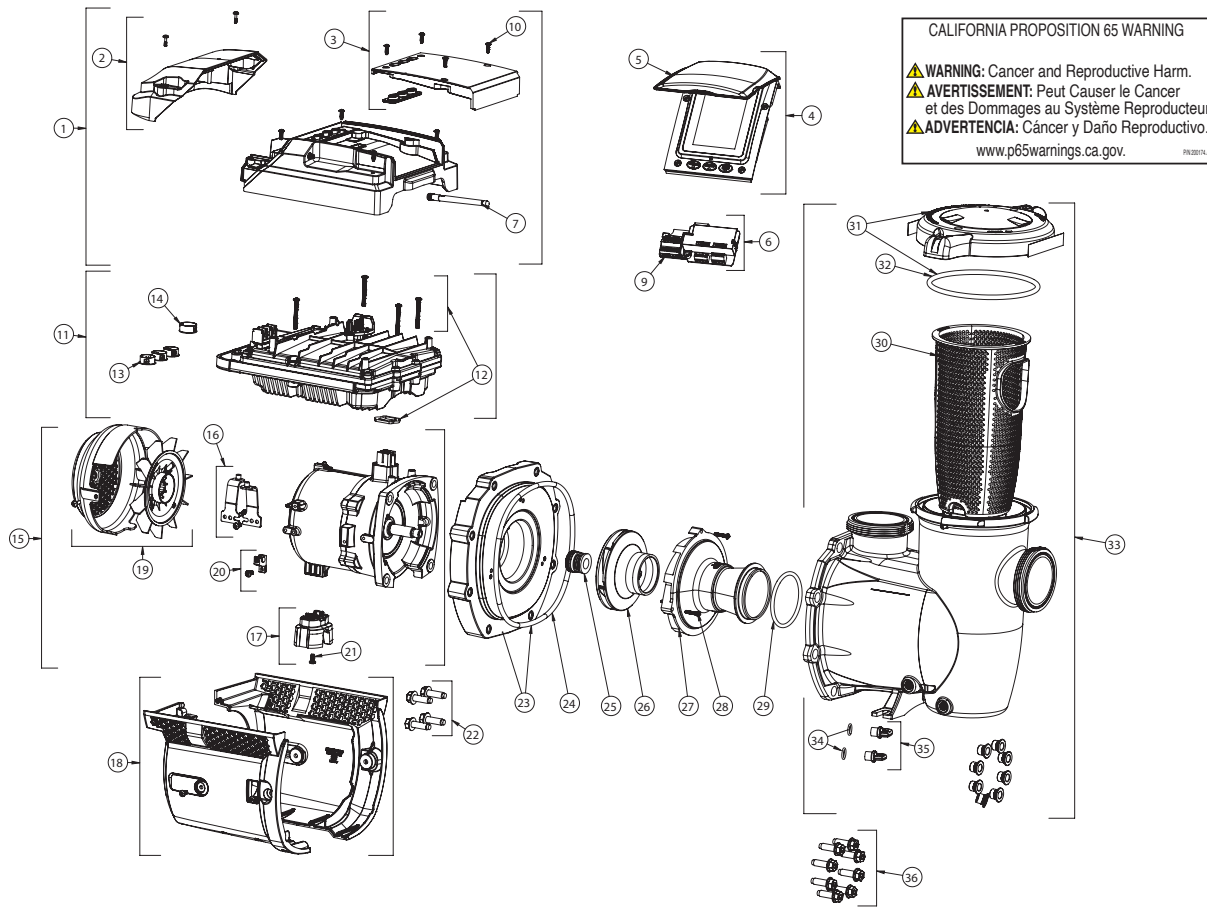
NOTE: The table below lists original drive kit part numbers and active replacement parts for the IntelliFlo and IntelliPro family pump product lines.

Pump Part No.	Pump Name	Pump Obsolete?	Original Drive Kit	Original Drive Available?	Current Drive Part No.	Current Keypad Part No.	Current Drive Kit
<b>IntelliFlo Family Pump Product Line</b>							
011008	IntelliFlo i1 <i>original</i>	Yes	353251	No	356878Z	357527Z	356879Z
011009	IntelliFlo i2 <i>original</i>	Yes	353251	No	356878Z	357527Z	356879Z
011018	IntelliFlo VS <i>original</i>	Yes	353251	No	356878Z	357527Z	356879Z
011017	IntelliFlo VS+SRVS <i>original</i>	Yes	351021	No	356910Z	357527Z	356911Z
011012	IntelliFlo VF	Yes	350721	No	356880Z	357527Z	356944Z
011059	IntelliFlo i1	No	356879Z	Yes	356878Z	357527Z	356879Z
011060	IntelliFlo i2	No	356879Z	Yes	356878Z	357527Z	356879Z
011055	IntelliFlo 2 VST	Yes	356879Z	Yes	356878Z	357527Z	356879Z
011028	IntelliFlo VS	No	356879Z	Yes	356878Z	357527Z	356879Z
011057	IntelliFlo VS+SVRS	No	356911Z	Yes	356910Z	357527Z	356911Z
011056	IntelliFlo VSF	No	356922Z	Yes	356944Z	357527Z	356971Z
022005	IntelliFloXF VS <i>original</i>	Yes	353251	No	356878Z	357527Z	356879Z
022055	IntelliFloXF VS	No	356879Z	Yes	356878Z	357527Z	356879Z
022056	IntelliFloXF VSF	No	357521Z	Yes	356896Z	357527Z	357521Z
<b>IntelliPro Family Pump Product Line</b>							
P6E6VS4H-209L	IntelliPro VS	No	353252	No	356892Z	358527Z	356893Z
P6E6XS4H-209L	IntelliPro VS+SVRS <i>original</i>	Yes	353250	No	356912Z	358527Z	356913Z
013001	IntelliPro 2 VST	Yes	356893Z	Yes	356892Z	358527Z	356893Z
013002	IntelliPro VS+SVRS	No	356913Z	Yes	356912Z	358527Z	356913Z
013004	IntelliPro VSF	No	353141Z	Yes	356657Z	358527Z	353141Z
023005	IntelliProXF VS <i>original</i>	Yes	353252	No	356892Z	358527Z	356893Z
023055	IntelliProXF VS	No	356893Z	Yes	356892Z	358527Z	356893Z
023056	IntelliProXF VSF	No	352032Z	Yes	356898Z	358527Z	352032Z

CALIFORNIA PROPOSITION 65 WARNING  
 ⚠️ **WARNING:** Cancer and Reproductive Harm.  
 ⚠️ **AVERTISSEMENT:** Peut Causer le Cancer et des Dommages au Système Reproducteur.  
 ⚠️ **ADVERTENCIA:** Cáncer y Daño Reproductivo.  
[www.p65warnings.ca.gov](http://www.p65warnings.ca.gov) P650174-1

# INTELLIFLO3®

## VARIABLE SPEED AND FLOW POOL PUMP REPLACEMENT PARTS



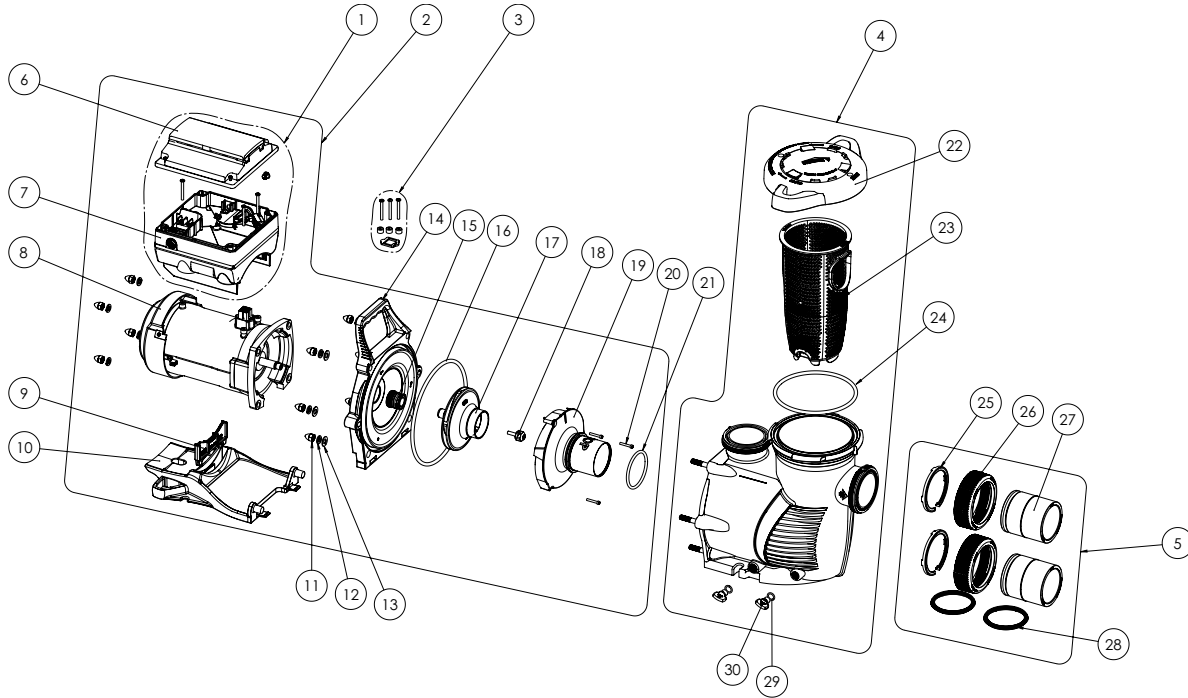
CALIFORNIA PROPOSITION 65 WARNING  
 ⚠️ WARNING: Cancer and Reproductive Harm.  
 ⚠️ AVERTISSEMENT: Peut Causer le Cancer et des Dommages au Système Reproducteur.  
 ⚠️ ADVERTENCIA: Cáncer y Daño Reproductivo.  
 www.p65warnings.ca.gov. P122017.1

Item	Part No.	Description	US List	Can. List
<b>SYSTEM</b>				
1	356214z	Drive Cover Assembly	CALL	CALL
2	356096z	Field Wiring Compartment Kit	CALL	CALL
3	356101z	Blank Controller Kit	CALL	CALL
4	356159z	Touchscreen Controller Kit	CALL	CALL
5	356099z	Touchscreen Lid	CALL	CALL
6	356365z	Relay Control Board Kit	CALL	CALL
7	356226z	Antenna	CALL	CALL
—	8023304	4-Pin Connector, RS-485	16.17	19.43
9	8023306	6-Pin Connector, Relay Control Board	27.09	32.55
10	356215z	Controller Screw (x4)	CALL	CALL
11	356163z	Drive and Drive Hardware Kit	CALL	CALL
12	357865	Drive Hardware Kit	CALL	CALL
13	356219z	7/8" Plug, Drive (x3)	CALL	CALL
14	356320z	1" Bushing, Low Voltage, Drive	CALL	CALL
15	356165s	Motor Kit	CALL	CALL
16	356167z	Motor Bracket Kit	CALL	CALL
17	356149z	Motor Foot Kit	CALL	CALL
18	357869	Motor Shroud Kit	CALL	CALL
19	357866z	Motor Fan Kit	CALL	CALL
20	356166z	Bonding Lug	CALL	CALL

Item	Part No.	Description	US List	Can. List
21	356221z	Motor Foot Screw	CALL	CALL
22	074165z	Motor Bolts (x4)	CALL	CALL
23	356091z	Seal Plate Kit	CALL	CALL
24	356173z	Seal Plate O-ring	CALL	CALL
25	356210s	Shaft Seal	47.85	57.50
26	356177z	Impeller	CALL	CALL
27	356156z	Diffuser	CALL	CALL
28	356213z	Diffuser Screws (x3)	10.55	12.68
29	356190z	Diffuser O-ring	CALL	CALL
30	400007z	Strainer Basket	51.87	62.33
31	356172z	Lid Assembly	CALL	CALL
32	356189z	Lid O-ring	CALL	CALL
33	356175z	Strainer Pot Kit	CALL	CALL
34	192115z	Drain Plug O-ring (x2)	3.79	4.55
35	071131z	Drain Plug and O-ring (x2)	9.23	11.09
36	074164z	Seal Plate-to-Strainer Pot Bolts (x8)	CALL	CALL
<b>NOT SHOWN</b>				
—	357872	Seal Kit	CALL	CALL
—	410028	2" / 2.5" Union Kit	CALL	CALL
—	410029	3" Union Kit	CALL	CALL
—	410016z	Union O-ring - Diamond Seal	17.75	21.33
—	357833z	Riser Plate Kit - Thin (A/B Base)	CALL	CALL

# INTELLIFLOX<sup>®</sup> VSF PUMP INTELLIFLOX<sup>®</sup> VS PUMP - AFTER AUGUST 2015

## REPLACEMENT PARTS



Item	Part No.	Description	US List	Can. List
<b>INTELLIFLO PUMP</b>				
1	357521Z	Drive Kit (VSF model)	CALL	CALL
1	356879Z	Drive Kit (VS model)	2143.65	2575.81
2	400655Z	Power End Kit (VS model)	3868.82	4648.77
3	355685	Drive Hardware Kit	162.18	194.88
4	400000	Wet End Assembly	471.40	566.43
5	410020	Union Kit w/o Tap	214.75	258.04
6	357527Z	Keypad Assembly Kit	512.37	615.66
7	356896Z	Drive (VSF model)	CALL	CALL
7	356878Z	Drive (VS model)	1782.18	2141.47
8	350305S	Motor	2711.36	3257.98
9	070929	Motor Support Insert	28.86	34.68
10	400004Z	Motor Base	57.53	69.13
11	071413	Acorn Nut (Qty. 10)	1.82	2.19
12	U43-12SS	Lock Washer (Qty. 10)	4.02	4.83
13	072184	Flat Washer (Qty. 6)	2.31	2.78
14	400002	Seal Plate	311.55	374.36
15	17351-0101S	Mechanical Seal	39.12	47.01
16	351446	Seal Plate O-Ring	9.36	11.25
17	400015Z	Impeller assembly (includes screw and washer)	189.88	228.16
18	37337-6080	Impeller Screw, Plastic-Head (pumps mfg. before 10/7/19)	28.87	34.69
18	356073	Impeller Screw, Metal-Head (pumps mfg. after 10/7/19)	11.30	13.58
19	400010	Diffuser	136.34	163.83

Item	Part No.	Description	US List	Can. List
20	353323	Diffuser Screws	4.91	5.90
21	350336	Diffuser O-Ring	4.91	5.90
22	400006	Lid/Locking Ring Assembly	82.95	99.67
23	400007Z	Strainer Basket	51.87	62.33
24	35505-1440	Lid/Locking Ring O-Ring	27.82	33.43
25	410001	2.5" C-Clip Locking Ring (Qty. 2)	10.51	12.63
26	411000	2.5" Union Nut (Qty. 2)	28.85	34.67
27	410002	2.5" Union Adapter w/o Tap (Qty. 2)	49.77	59.80
28	410016Z	2.5" Diamond Seal Kit (Qty. 2)	17.75	21.33
29	192115Z	Drain Plug O-Ring (Qty. 2)	3.79	4.55
30	071131Z	Drain Plug (2 req.)	9.23	11.09

<b>NOT SHOWN</b>				
	356904Z	Keypad Relocation Kit	111.37	133.82
	400031Z	Seal Plate w/Mech Seal	301.72	362.55
	350122	50 Ft. Communication Cable	253.81	304.98
	352401	Motor Fan Kit	260.43	312.93
	072172	Impeller screw washer	0.37	0.44

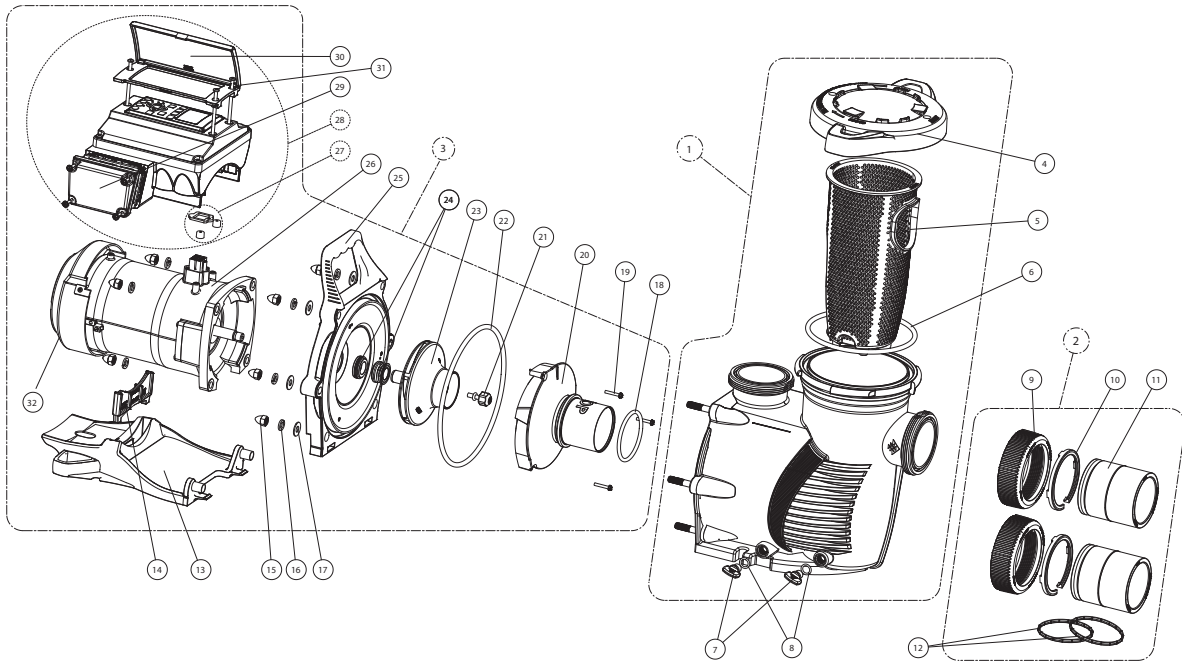
CALIFORNIA PROPOSITION 65 WARNING

⚠ **WARNING:** Cancer and Reproductive Harm.  
 ⚠ **AVERTISSEMENT:** Peut Causer le Cancer et des Dommages au Système Reproducteur.  
 ⚠ **ADVERTENCIA:** Cáncer y Daño Reproductivo.

[www.p65warnings.ca.gov](http://www.p65warnings.ca.gov)
PH200714A

# INTELLIFLOXF® VARIABLE SPEED PUMP - BEFORE AUGUST 2015

## REPLACEMENT PARTS



Item	Part No.	Description	US List	Can. List
<b>INTELLIFLOXF PUMP</b>				
1	400000	Wet End Assembly	471.40	566.43
2	410020	Union Kit	214.75	258.04
3	400605Z	Power End Assy w/ Drive & Motor	CALL	CALL
4	400006	Lid/Locking Ring Assy	82.95	99.67
5	400007Z	XF Series Replacement Basket	51.87	62.33
6	35505-1440	Lid/Locking Ring O-Ring	27.82	33.43
7	071131Z	Drain Plug (2 req.)	9.23	11.09
8	192115Z	Drain Plug O-ring (2 req.)	3.79	4.55
9	411000	2.5 in. Union Nut	28.85	34.67
10	410001	2.5 in. C-Clip Locking Ring	10.51	12.63
11	410002	2.5 in. Union Adapter	49.77	59.80
12	410016Z	2.5 in. Seal Kit - (Includes 2)	17.75	21.33
13	400004Z	Motor Base	57.53	69.13
14	357160	Motor Support Insert- Black	28.86	34.68
15	071413	Acorn Nut (each)	1.82	2.19
16	U43-12SS	Split Lock Washer (each)	4.02	4.83
17	072184	Flat Washer (each)	2.31	2.78
18	350336	Diffuser O-ring	4.91	5.90
19	353323	Diffuser Screw	4.91	5.90
20	400010	Diffuser	136.34	163.83

Item	Part No.	Description	US List	Can. List
21	37337-6080	Impeller Screw, Plastic-Head (pumps mfg. before 10/7/19)	28.87	34.69
22	351446	Seal Plate O-Ring	9.36	11.25
23	400015Z	Impeller assembly (includes screw and washer)	189.88	228.16
24	17351-0101S	Mechanical Seal Assembly	39.12	47.01
25	400002	Seal Plate	311.55	374.36
26	350105S	Motor Kit	1355.68	1628.99
27	350612	Drive Hardware and Gasket Kit (includes item #31)	162.18	194.88
28	356879Z	Variable Speed Drive Assy Kit	2143.65	2575.81
29	350621	Field Wiring Comp Kit w/ Gasket	30.45	36.59
30	350601	Control Cover Assy Kit (incl. item #27) <sup>1</sup>	324.91	390.41
30	400100	Control Cover Assy Kit (incl. item #27) <sup>2</sup>	324.91	390.41
31	350107	Screw 10-24 x 3-1/4 in. PH MS 18-8SS (Qty. 3)	6.28	7.55
32	352401	Motor Fan Kit (contains Fan, Shroud, Hardware)	260.43	312.93
<b>NOT SHOWN</b>				
400031Z		Seal Plate Kit w/ Mech Seal	301.72	362.55
400012		Riser Plate XF to Challenger	99.53	119.60
350122		50 Ft. Communication Cable	253.81	304.98

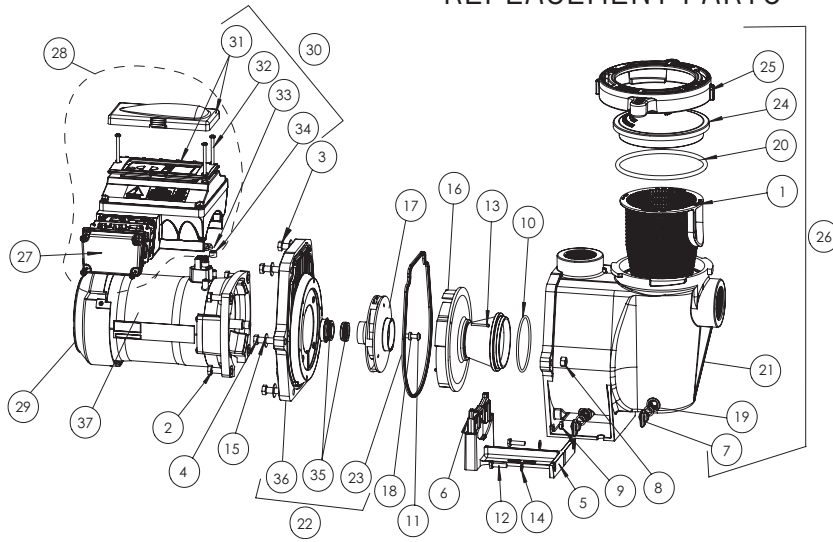
<sup>1</sup> Used on pumps manufactured before 12/23/13

<sup>2</sup> Used on pumps manufactured after 12/23/13 to present

CALIFORNIA PROPOSITION 65 WARNING

**⚠ WARNING:** Cancer and Reproductive Harm.  
**⚠ AVERTISSEMENT:** Peut Causer le Cancer et des Dommages au Système Reproducteur.  
**⚠ ADVERTENCIA:** Cáncer y Daño Reproductivo.  
[www.p65warnings.ca.gov](http://www.p65warnings.ca.gov)

# INTELLIFLO® VF PUMP REPLACEMENT PARTS



CALIFORNIA PROPOSITION 65 WARNING  
 ⚠️ **WARNING:** Cancer and Reproductive Harm.  
 ⚠️ **AVERTISSEMENT:** Peut Causer le Cancer et des Dommages au Système Reproducteur.  
 ⚠️ **ADVERTENCIA:** Cáncer y Daño Reproductivo.  
 www.p65warnings.ca.gov. PAK2017LA

Item	Part No.	Description	US List	Can. List
<b>INTELLIFLO VF PUMP</b>				
1	070387Z	Basket WF	25.10	30.16
2	070429Z	Bolt, 3/8-16 X 7/8 SS Hex Head 18-8, 4 req.	4.72	5.67
3	070430	Bolt, 3/8-16 x 1-1/4 hex cap 18-8 S/S, 4 req.	3.76	4.52
4	070431	Bolt, 3/8-16 x 2 hex cap 18-8 S/S, 2 req.	4.13	4.96
5	070927	Foot WF, pump motor support, almond	57.53	69.13
6	070929	Foot insert WF pump, almond	28.86	34.68
7	071131Z	Plug drain WFE, almond, (2 req.)	9.23	11.09
8	071403	Nut, 3/8-16 brass nickel plated, 2 req.	2.31	2.78
9	071406	Nut, 1/4-20 hex S/S, 2 req.	2.31	2.78
10	355227Z	O-ring #238, 3.484 x .139, buna N 70	4.89	5.88
11	071652Z	Screw, 1/4, 20 x 1 LH phillips pan MS 18-8 S/S, 1 req.	4.72	5.67
12	071657Z	Screw, 1/4-20 x 1 in. hex cap 18-8 S/S, 2 req.	4.72	5.67
13	071660Z	Screw set, 4-40 x 1-1/8 WFE sckt cap 18-8 S/S, 2 req.	4.89	5.88
14	072183	Washer, flat 1/4 x 5/8 20GA thick 18-8 S/S, 2 req.	2.31	2.78
15	072184	Washer, 3/8 ID x 7/8 OD .05 thick 18-8 S/S, 6 req.	2.31	2.78
16	072928	Diffuser assembly, black	136.34	163.83
17	073131	Impeller, IntelliFlo	149.77	179.96
18	075713	Rubber washer, WFE pump, 1 req.	2.31	2.78
19	192115Z	O-ring 112, .487 x .103 buna -N 70, 2 req.	3.79	4.55
20	350013Z	O-ring lid CH/WF 2-436, 1 req.	5.66	6.80
21	350015	Housing WFE, almond	342.46	411.50
22	350202	Seal plate kit, almond w/ gasket (Items 23, 35, 36)	302.15	363.06
23	357100Z	Black Gasket for Seal plate	9.68	11.63
23	357102Z	Almond Gasket for Seal plate	9.68	11.63
24	357151	Lid, see thru WF.	53.86	64.72
24	357156	Lid, Chemical Resistant	101.61	122.09
25	357199	Clamp cam & ramp WF, almond	71.54	85.96
26	357243	Pot WF assy., almond (contains 1, 7 (qty. 2), 19 (qty. 2), 20, 21, 24, 25	716.59	861.05

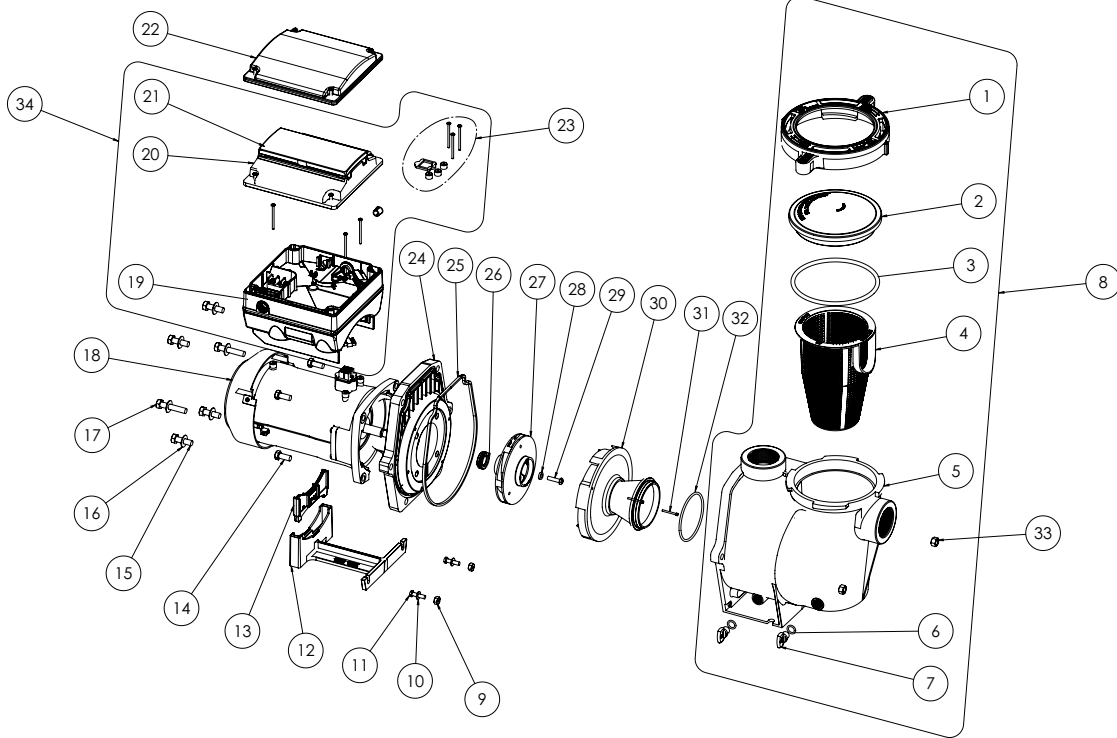
Item	Part No.	Description	US List	Can. List
27	350621	Junction Box Cover - Almond	30.45	36.59
28	350721	Drive IntelliFlo VF assy. kit, almond (contains drive VF, control cover assy.)	CALL	CALL
29	352401	Motor fan kit, almond (contains fan, shroud, hardware).	260.43	312.93
30	350601	Drive Control Cover assembly kit, almond (contains drive lid, screws, spacer caps, items 31, 32 (qty. 3), 33, 34 (qty. 3) <sup>1</sup> )	324.91	390.41
30	400100	Drive Control Cover assembly kit, almond (contains drive lid, screws, spacer caps, items 31, 32 (qty. 3), 33, 34 (qty. 3) <sup>2</sup> )	324.91	390.41
31	350082	Control cover assembly (not sold individually - order item assy. kit item #30)	CALL	CALL
32	350107	Screw 10-24 x 3/4 in. PH MS 18-8 s/s (qty. 3)	6.28	7.55
33	350108	IntelliFlo drive gasket	13.05	15.68
34	350142	Spacer cap (qty. 3)	45.61	54.80
35	071734S	Seal Kit	45.47	54.64
	071732S	Mechanical Seal (ozone/salt resistant)	38.09	45.77
36	074564Z	Seal Plate - Almond	163.10	195.98
37	350105S	Motor VFD 3.2KW PMSM replacement, almond	1355.68	1628.99
<b>NOT SHOWN</b>				
	070112	Power end IntelliFlo VF (Contains items 2 (qty. 4), 10, 11, 13, 15, 16, 17, 18, 19, 22, 28, 37)	CALL	CALL
	350122	50 ft. Communication Cable	253.81	304.98
	357149	Almond Volute/Seal plate Replacement Kit (Items 1, 7 (Qty 2), 19 (Qty 2), 20, 21, 22, 23, 24, 25)	450.60	541.44
	350612	Hardware/gasket assy. kit (contains 3 screws, 3 spacer caps and drive gasket)	162.18	194.88
	357603	Union Kit (contains 2 complete unions for one pump, not included with pump).	167.57	201.35
	356198	WhisperFlo/IntelliFlo Quick Kit (includes 36, 32, 25, 6(x2), 3, and 28)	50.17	60.28
	350199	Seal Plate Kit (ozone/salt resistant)	295.09	354.58

<sup>1</sup> Used on pumps manufactured before 12/28/11

<sup>2</sup> Used on pumps manufactured after 12/28/11

# INTELLIFLO® VSF PUMP/INTELLIFLO 2 VST PUMP INTELLIFLO VS PUMP - AFTER 2018

## REPLACEMENT PARTS

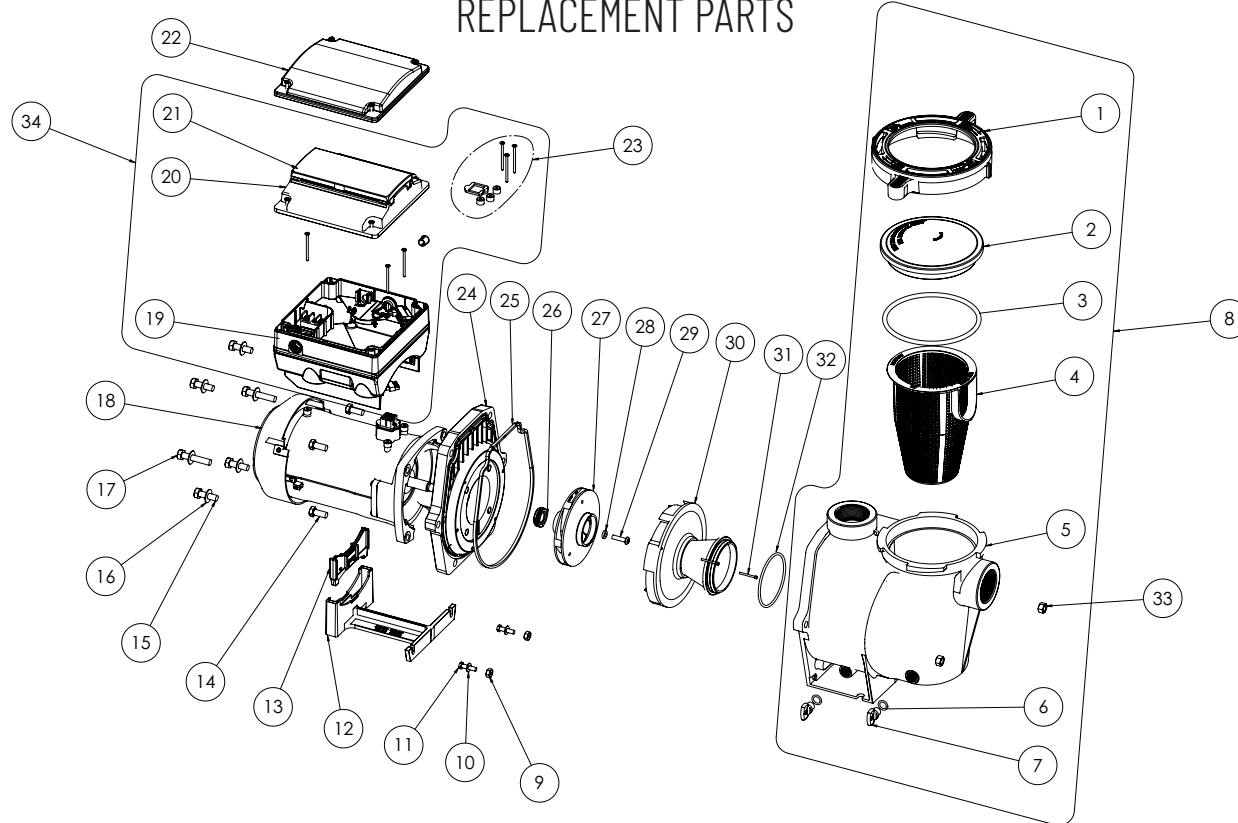


Item	Part No.	Description	US List	Can. List
<b>INTELLIFLO PUMP</b>				
1	357199	Clamp, Cam and Ramp	71.54	85.96
2	357151	See-through Lid	53.86	64.72
3	350013Z	Lid O-Ring	5.66	6.80
4	070387Z	Strainer Basket	25.10	30.16
5	350015	Volute WF	342.46	411.50
6	192115Z	O-Ring 112 for Drain Plug (Qty 2)	3.79	4.55
7	071131Z	Drain Plug WF (2 req.)	9.23	11.09
8	357243	Volute Kit (Contains items #1-7)	716.59	861.05
9	071406	Nut 1/4-20 Hex SS (Qty 2)	2.31	2.78
10	072183	Washer, Flat 1/4" ID x 5/8" OD (Qty 2)	2.31	2.78
11	071657Z	Screw 1/4-20 x 1" Hex Cap SS, 2 req.	4.72	5.67
12	070927	Foot WF	57.53	69.13
13	070929	Foot Insert WFE Pump Motor Support	28.86	34.68
14	070429Z	Bolt, 3/8-16 X 7/8 SS Hex Head 18-8, 4 req.	4.72	5.67
15	072184	Washer, Flat 3/8" ID x 7/8 OD (Qty 6)	2.31	2.78
16	070430	Bolt, Hex Head 3/8-16 x 1.25" (Qty 4)	3.76	4.52
17	070431	Bolt, Hex Head 3/8-16 x 2" (Qty 2)	4.13	4.96
18	350305S	Motor, 3.2 kW 10 Pole	2711.36	3257.98
19	356880Z	Drive (VSF model) (pumps mfg. before 10/2020)	1782.18	2141.47
19	356944Z	Drive (VSF model) (pumps mfg. after 10/2020)	1782.21	2141.50
19	356878Z	Drive (2VST and VS models)	1782.18	2141.47
20	357527Z	Keypad Assembly Kit (Contains item #21)	512.37	615.66
21	400100	Keypad Cover	324.91	390.41
22	356904Z	Keypad Relocation Kit (Contains Keypad Relocation cable and Blank Drive Cover)	111.37	133.82

Item	Part No.	Description	US List	Can. List
23	355685	Drive Hardware Kit (Contains Drive Screws, Drive Gasket and Screw Caps)	162.18	194.88
24	074564Z	Seal Plate	163.10	195.98
25	357100Z	Seal Plate Gasket	9.68	11.63
26	071734S	Mechanical Seal	45.47	54.64
26	071732S	Mechanical Seal (ozone/salt resistant)	38.09	45.77
27	073131	Impeller (pumps mfg. before 10/2020)	149.77	179.96
27	356237	Impeller (pumps mfg. after 10/2020)	CALL	CALL
28	075713	Rubber Washer, Impeller Set Screw	2.31	2.78
29	071652Z	Impeller Set Screw 1/4-20 LH Thread	4.72	5.67
30	072928	Diffuser (pumps mfg. before 10/2020)	136.34	163.83
30	356238	Diffuser (pumps mfg. after 10/2020)	CALL	CALL
31	071660Z	Diffuser Set Screw 4-40 x 1-1/8, 2 req.	4.89	5.88
32	355227Z	Diffuser O-Ring	4.89	5.88
33	071403	Nut 3/8" Brass, Nickel Plated (Qty 2)	2.31	2.78
34	356922Z	Drive Kit ( VSF model) (Incl. Items #19-23)	2143.65	2575.81
34	356971Z	Drive Kit (VSF Model mfg. after 11/20) (Incl. items #19-23)"	CALL	CALL
34	356879Z	Drive Kit (2VST and VS models) (Incl. Items #19-23)	2143.65	2575.81
<b>NOT SHOWN</b>				
	350122	50 Ft. Communication Cable	253.81	304.98
	350202	Seal Plate Kit w/Mechanical Seal (Incl. Items #24, 25 and 26)	302.15	363.06
	354044	Power End - (2VST and VS models)	3582.99	4305.32
	356198	WhisperFlo/IntelliFlo Quick Kit (includes 26, 32, 25, 6(x2), 3 and 28)	50.17	60.28
	357603	Union Kit (Incl. 2 complete unions for 1 pump - Not included with pump)	167.57	201.35
	350199	Seal Plate Kit (Ozone/Salt resistant)	295.09	354.58
	352401	Motor Fan Kit	260.43	312.93

# INTELLIFLO® VS+SVRS PUMP - AFTER JUNE 2016

## REPLACEMENT PARTS



Item	Part No.	Description	US List	Can. List
<b>INTELLIFLO VS+SVRS PUMP</b>				
1	357199	Clamp, Cam and Ramp	71.54	85.96
2	357151	See-through Lid	53.86	64.72
3	350013Z	Lid O-Ring	5.66	6.80
4	070387Z	Strainer Basket	25.10	30.16
5	350015	Volute WF	342.46	411.50
6	192115Z	O-Ring 112 for Drain Plug (Qty 2)	3.79	4.55
7	071131Z	Drain Plug WF (2 req.)	9.23	11.09
8	357243	Volute Kit (Contains items #1-7)	716.59	861.05
9	071406	Nut 1/4-20 Hex SS (Qty 2)	2.31	2.78
10	072183	Washer, Flat 1/4" ID x 5/8" OD (Qty 2)	2.31	2.78
11	071657Z	Screw 1/4-20 x 1" Hex Cap SS, 2 req.	4.72	5.67
12	070927	Foot WF	57.53	69.13
13	070929	Foot Insert WFE Pump Motor Support	28.86	34.68
14	070429Z	Bolt, 3/8-16 X 7/8 SS Hex Head 18-8, 4 req.	4.72	5.67
15	072184	Washer, Flat 3/8" ID x 7/8 OD (Qty 6)	2.31	2.78
16	070430	Bolt, Hex Head 3/8-16 x 1.25" (Qty 4)	3.76	4.52
17	070431	Bolt, Hex Head 3/8-16 x 2" (Qty 2)	4.13	4.96
18	350305S	Motor, 3.2 kW 10 Pole	2711.36	3257.98
19	356910Z	Drive	CALL	CALL
20	357527Z	Keypad Assembly Kit (Contains item #21)	512.37	615.66
21	400100	Keypad Cover	324.91	390.41
22	356904Z	Keypad Relocation Kit (Contains Keypad Relocation cable and Blank Drive Cover)	111.37	133.82

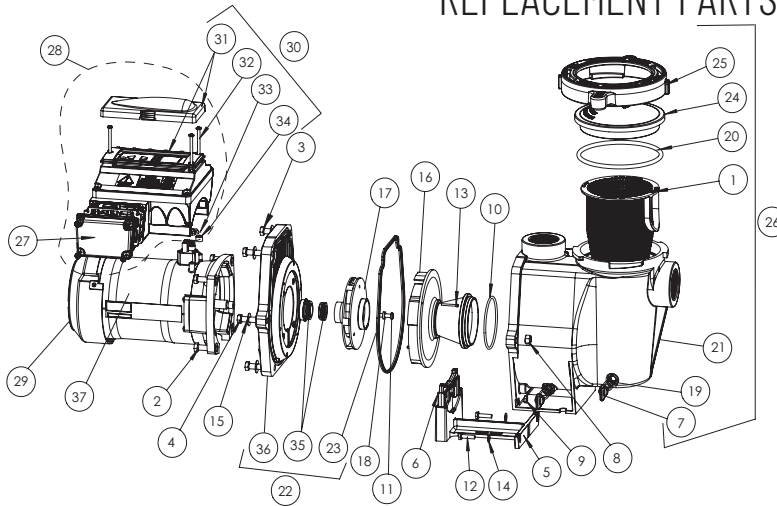
Item	Part No.	Description	US List	Can. List
23	355685	Drive Hardware Kit (Contains Drive Screws, Drive Gasket and Screw Caps)	162.18	194.88
24	074564Z	Seal Plate	163.10	195.98
25	357100Z	Seal Plate Gasket	9.68	11.63
26	071734S	Mechanical Seal	45.47	54.64
26	071732S	Mechanical Seal (ozone/salt resistant)	38.09	45.77
27	073131	Impeller (pumps mfg. before 10/2020)	149.77	179.96
27	356237	Impeller (pumps mfg. after 10/2020)	CALL	CALL
28	075713	Rubber Washer, Impeller Set Screw	2.31	2.78
29	071652Z	Impeller Set Screw 1/4-20 LH Thread	4.72	5.67
30	072928	Diffuser (pumps mfg. before 10/2020)	136.34	163.83
30	072928	Diffuser (pumps mfg. after 10/2020)	136.34	163.83
31	071660Z	Diffuser Set Screw 4-40 x 1-1/8, 2 req.	4.89	5.88
32	355227Z	Diffuser O-Ring	4.89	5.88
33	071403	Nut 3/8" Brass, Nickel Plated (Qty 2)	2.31	2.78
34	356911Z	Drive Kit (Incl. Items #19-23)	CALL	CALL
<b>NOT SHOWN</b>				
	350122	50 Ft. Communication Cable	253.81	304.98
	350202	Seal Plate Kit w/Mechanical Seal (Incl. Items #24, 25 and 26)	302.15	363.06
	357603	Union Kit (Incl. 2 complete unions for 1 pump - Not included with pump)	167.57	201.35
	356198	Whisper/IntelliFlo Quick Kit (Includes 26, 32, 25, 6(x2), 2 and 28)	50.17	60.28
	350199	Seal Plate Kit (Ozone/Salt resistant)	295.09	354.58
	352401	Motor Fan Kit	260.43	312.93

CALIFORNIA PROPOSITION 65 WARNING  
 ⚠️ **WARNING:** Cancer and Reproductive Harm.  
 ⚠️ **AVERTISSEMENT:** Peut Causer le Cancer et des Dommages au Système Reproducteur.  
 ⚠️ **ADVERTENCIA:** Cáncer y Daño Reproductivo.  
[www.p65warnings.ca.gov](http://www.p65warnings.ca.gov)



# INTELLIFLO® VARIABLE SPEED PUMP- BEFORE 2019 INTELLIFLO VS+SVRS PUMP - BEFORE JUNE 2016

## REPLACEMENT PARTS



CALIFORNIA PROPOSITION 65 WARNING  
 ⚠️ WARNING: Cancer and Reproductive Harm.  
 ⚠️ AVERTISSEMENT: Peut Causer le Cancer et des Dommages au Système Reproducteur.  
 ⚠️ ADVERTENCIA: Cáncer y Daño Reproductivo.  
[www.p65warnings.ca.gov](http://www.p65warnings.ca.gov)  
 PN20171A

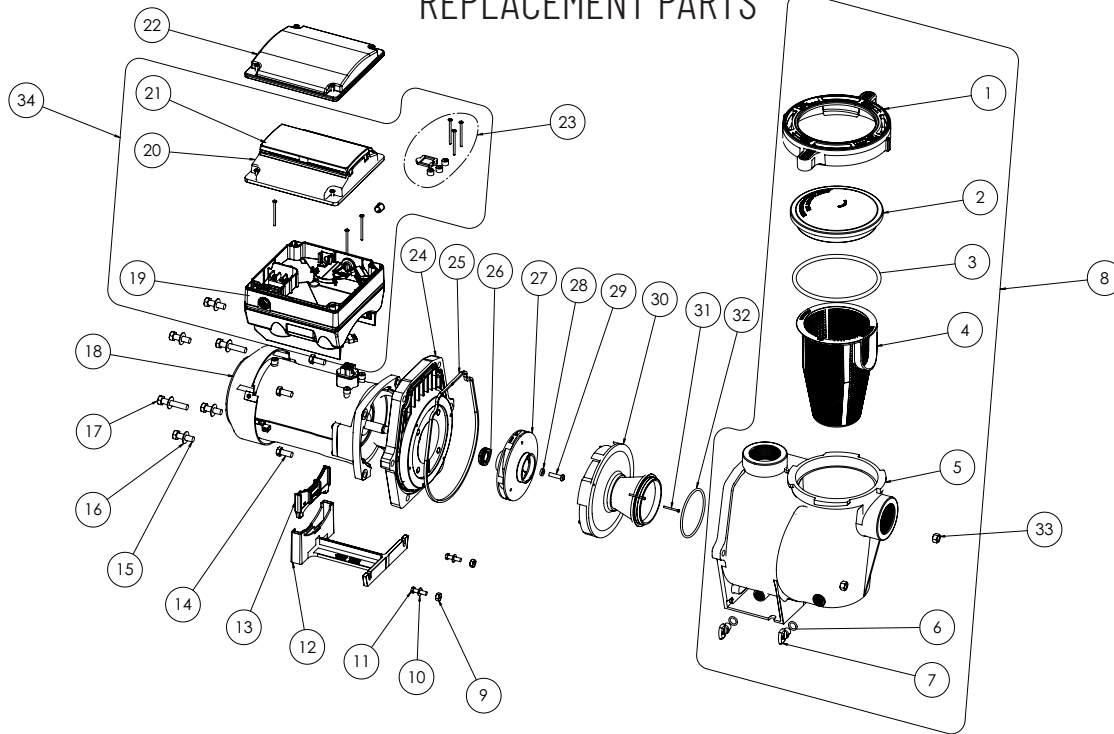
Item	Part No.	Description	US List	Can. List
<b>INTELLIFLO VARIABLE SPEED &amp; INTELLIFLO VS+SVRS</b>				
1	070387Z	Basket WF	25.10	30.16
2	070429Z	Bolt, 3/8-16 X 7/8 SS Hex Head 18-8, 4 req.	4.72	5.67
3	070430	Bolt, 3/8-16 x 1-1/4 hex cap 18-8 S/S, 4 req.	3.76	4.52
4	070431	Bolt, 3/8-16 x 2 hex cap 18-8 S/S, 2 req.	4.13	4.96
5	070927	Foot WF, pump motor support, almond	57.53	69.13
6	070929	Foot insert WF pump, almond	28.86	34.68
7	071131Z	Plug drain WFE, almond, (2 req.)	9.23	11.09
8	071403	Nut, 3/8-16 brass nickel plated, 2 req.	2.31	2.78
9	071406	Nut, 1/4-20 hex S/S, 2 req.	2.31	2.78
10	355227Z	O-ring #238, 3.484 x .139, buna N 70	4.89	5.88
11	071652Z	Screw, 1/4, 20 x 1 LH phillips pan MS 18-8 S/S, 1 req.	4.72	5.67
12	071657Z	Screw, 1/4-20 x 1 in. hex cap 18-8 S/S, 2 req.	4.72	5.67
13	071660Z	Screw set, 4-40 x 1-1/8 WFE sckt cap 18-8 S/S, 2 req.	4.89	5.88
14	072183	Washer, flat 1/4 x 5/8 20GA thick 18-8 S/S, 2 req.	2.31	2.78
15	072184	Washer, 3/8 ID x 7/8 OD .05 thick 18-8 S/S, 6 req.	2.31	2.78
16	072928	Diffuser assembly, black	136.34	163.83
17	073131	Impeller, IntelliFlo	149.77	179.96
18	075713	Rubber washer, WFE pump, 1 req.	2.31	2.78
19	192115Z	O-ring 112, .487 x .103 buna -N 70, 2 req.	3.79	4.55
20	350013Z	O-ring lid CH/WF 2-436, 1 req.	5.66	6.80
21	350015	Housing WFE, almond	342.46	411.50
22	350202	Seal plate kit, almond w/ gasket (Items 23, 35, 36)	302.15	363.06
23	357100Z	Black Gasket for Seal plate	9.68	11.63
23	357102Z	Almond Gasket for Seal plate	9.68	11.63
24	357151	Lid, see thru WF.	53.86	64.72
24	357156	Lid, Chemical Resistant	101.61	122.09
25	357199	Clamp cam & ramp WF, almond	71.54	85.96
26	357243	Pot WF assy., almond (contains 1, 7 (qty. 2), 19 (qty. 2), 20, 21, 24, 25	716.59	861.05
27	350621	Junction Box Cover - Almond	30.45	36.59

Item	Part No.	Description	US List	Can. List
28	356879Z	IntelliFlo Variable Speed Drive Kit - Contains Drive and Control Cover Assy. (VS only)	2143.65	2575.81
28	351021	IntelliFlo VS+SVRS Drive Kit <sup>1</sup> - Contains Drive and Control Cover Assy. (SVRS drive)	CALL	CALL
29	352401	Motor fan kit, almond (contains fan, shroud, hardware).	260.43	312.93
30	350601	Drive Control Cover assembly kit <sup>2</sup> , almond (contains drive lid, screws, spacer caps, items 31, 32 (qty. 3), 33, 34 (qty. 3))	324.91	390.41
30	400100	Drive Control Cover assembly kit <sup>3</sup> , almond (contains drive lid, screws, spacer caps, items 31, 32, (qty.3), 33, 34 (qty. 3))	324.91	390.41
31	350082	Control cover assembly (not sold individually - order assy. kit item #30)	CALL	CALL
32	350107	Screw 10-24 x 3/4 in. PH MS 18-8 s/s (qty. 3)	6.28	7.55
33	350108	IntelliFlo drive gasket	13.05	15.68
34	350142	Spacer cap (qty. 3)	45.61	54.80
35	071734S	Seal Kit	45.47	54.64
35	071732S	Mechanical Seal (ozone/salt resistant)	38.09	45.77
36	074564Z	Seal Plate - Almond	163.10	195.98
37	350105S	Motor VFD 3.2KW PMSM replacement, almond	1355.68	1628.99
<b>NOT SHOWN</b>				
	070118	Power end IntelliFlo Variable Speed (Contains items 2, 10, 11, 13, 15, 16, 17, 18, 19, 22, 28)	CALL	CALL
	350122	50 ft. Communication Cable	253.81	304.98
	357149	Almond Volute/Seal plate Replacement Kit (Items 1, 7 (Qty 2), 19 (Qty 2), 20, 21, 22, 23, 24, 25)	450.60	541.44
	350612	Hardware/gasket assy. kit (contains 3 screws, 3 spacer caps and drive gasket)	162.18	194.88
	357603	Union Kit (contains 2 complete unions for one pump, not included with pump).	167.57	201.35
	356198	WhisperFlo/IntelliFlo Quick Kit (includes 35, 10, 18, 23, 20, 19(x2))	50.17	60.28
	350199	Seal Plate Kit (ozone/salt resistant)	295.09	354.58

<sup>1</sup> Contact factory for IntelliFlo VS+SVRS2  
<sup>2</sup> Used on pumps manufactured before 12/23/13  
<sup>3</sup> Used on pumps manufactured after 12/23/13 to present

# INTELLIFLO® i1 + i2 VARIABLE SPEED PUMP - AFTER APRIL 2016

## REPLACEMENT PARTS



Item	Part No.	Description	US List	Can. List
<b>INTELLIFLOXFP PUMP</b>				
1	357199	Clamp, Cam and Ramp	71.54	85.96
2	357151	See-through Lid	53.86	64.72
3	350013Z	Lid O-Ring	5.66	6.80
4	070387Z	Strainer Basket	25.10	30.16
5	350015	Volute WF	342.46	411.50
6	192115Z	O-Ring 112 for Drain Plug (Qty 2)	3.79	4.55
7	071131Z	Drain Plug WF (2 req.)	9.23	11.09
8	357243	Volute Kit (Contains items #1-7)	716.59	861.05
9	071406	Nut 1/4-20 Hex SS (Qty 2)	2.31	2.78
10	072183	Washer, Flat 1/4" ID x 5/8" OD (Qty 2)	2.31	2.78
11	071657Z	Screw 1/4-20 x 1" Hex Cap SS, 2 req.	4.72	5.67
12	070927	Foot WF	57.53	69.13
13	070929	Foot Insert WFE Pump Motor Support	28.86	34.68
14	070429Z	Bolt, 3/8-16 X 7/8 SS Hex Head 18-8, 4 req.	4.72	5.67
15	072184	Washer, Flat 3/8" ID x 7/8 OD (Qty 6)	2.31	2.78
16	070430	Bolt, Hex Head 3/8-16 x 1.25" (Qty 4)	3.76	4.52
17	070431	Bolt, Hex Head 3/8-16 x 2" (Qty 2)	4.13	4.96
18	350305S	Motor, 3.2 kW 10 Pole	2711.36	3257.98
19	356878Z	Drive, Variable Speed	1782.18	2141.47
20	357527Z	Keypad Assembly Kit (Contains item #21)	512.37	615.66
21	400100	Keypad Cover	324.91	390.41
22	356904Z	Keypad Relocation Kit (Contains Keypad Relocation cable and Blank Drive Cover)	111.37	133.82
23	355685	Drive Hardware Kit (Contains Drive Screws, Drive Gasket and Screw Caps)	162.18	194.88

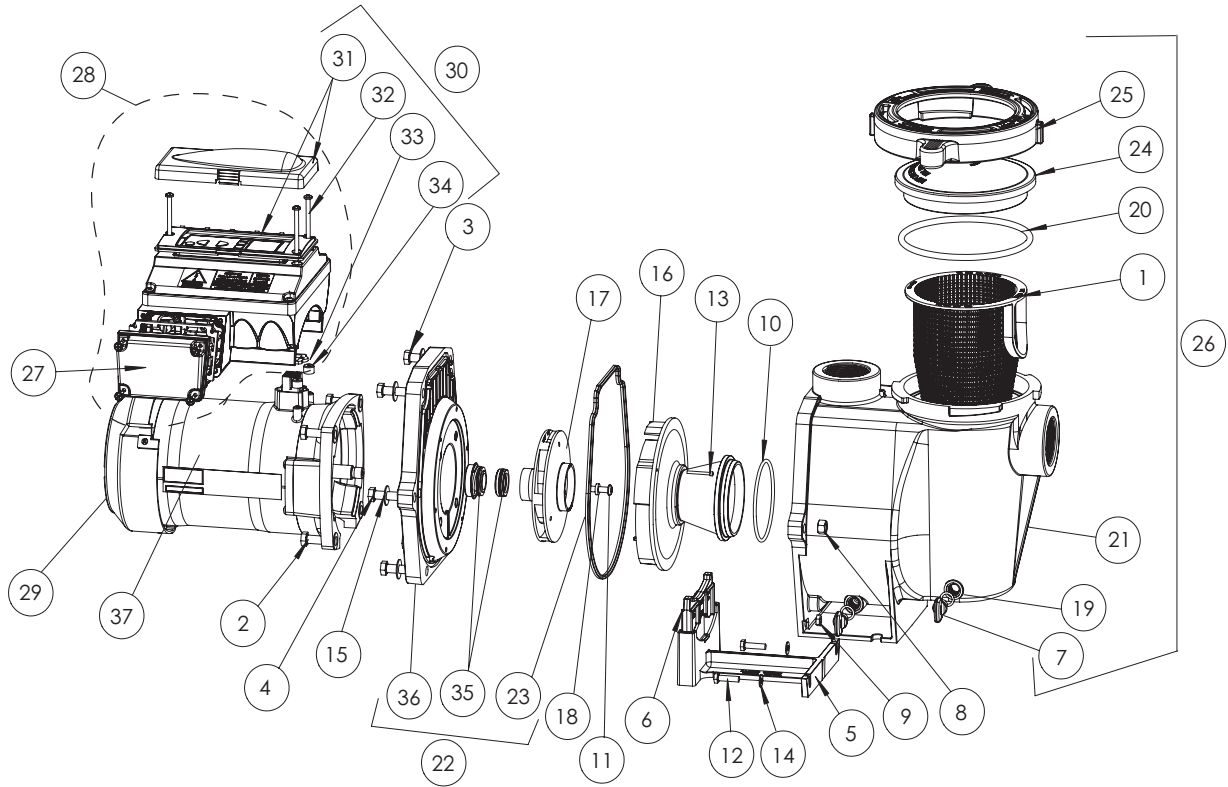
Item	Part No.	Description	US List	Can. List
24	074564Z	Seal Plate	163.10	195.98
25	357100Z	Seal Plate Gasket	9.68	11.63
26	071734S	Mechanical Seal	45.47	54.64
	071732S	Mechanical Seal (ozone/salt resistant)	38.09	45.77
27	073128	Impeller, i1 Pump	149.77	179.96
27	073131A	Impeller, i2 Pump	144.06	173.10
28	075713	Rubber Washer, Impeller Set Screw	2.31	2.78
29	071652Z	Impeller Set Screw 1/4-20 LH Thread	4.72	5.67
30	072930	Diffuser, i1 Pump	114.06	137.05
30	072927Z	Diffuser, i2 Pump	114.06	137.05
31	071660Z	Diffuser Set Screw 4-40 x 1-1/8, 2 req.	4.89	5.88
32	355227Z	Diffuser O-Ring	4.89	5.88
33	071403	Nut 3/8" Brass, Nickel Plated (Qty 2)	2.31	2.78
34	356879Z	Drive Kit (Incl. Items #19-23)	2143.65	2575.81
<b>NOT SHOWN</b>				
	350122	50 Ft. Communication Cable	253.81	304.98
	350202	Seal Plate Kit w/Mechanical Seal (Incl. Items #24, 25 and 26)	302.15	363.06
	357603	Union Kit (Incl. 2 complete unions for 1 pump - Not included with pump)	167.57	201.35
	356198	WhisperFlo/IntelliFlo Quick Kit (includes 26, 32, 25, 6(x2), 3 and 28)	50.17	60.28
	350199	Seal Plate Kit (Ozone/Salt resistant)	295.09	354.58
	352401	Motor Fan Kit	260.43	312.93

**CALIFORNIA PROPOSITION 65 WARNING**

⚠ **WARNING:** Cancer and Reproductive Harm.  
 ⚠ **AVERTISSEMENT:** Peut Causer le Cancer et des Dommages au Système Reproducteur.  
 ⚠ **ADVERTENCIA:** Cáncer y Daño Reproductivo.  
[www.p65warnings.ca.gov](http://www.p65warnings.ca.gov)

PH20251A

# INTELLIFLO® i1 VARIABLE SPEED PUMP - BEFORE APRIL 2016 REPLACEMENT PARTS



CALIFORNIA PROPOSITION 65 WARNING  
 ⚠️ **WARNING:** Cancer and Reproductive Harm.  
 ⚠️ **AVERTISSEMENT:** Peut Causer le Cancer et des Dommages au Système Reproducteur.  
 ⚠️ **ADVERTENCIA:** Cáncer y Daño Reproductivo.  
[www.p65warnings.ca.gov](http://www.p65warnings.ca.gov)

# INTELLIFLO® i1 VARIABLE SPEED PUMP - BEFORE APRIL 2016

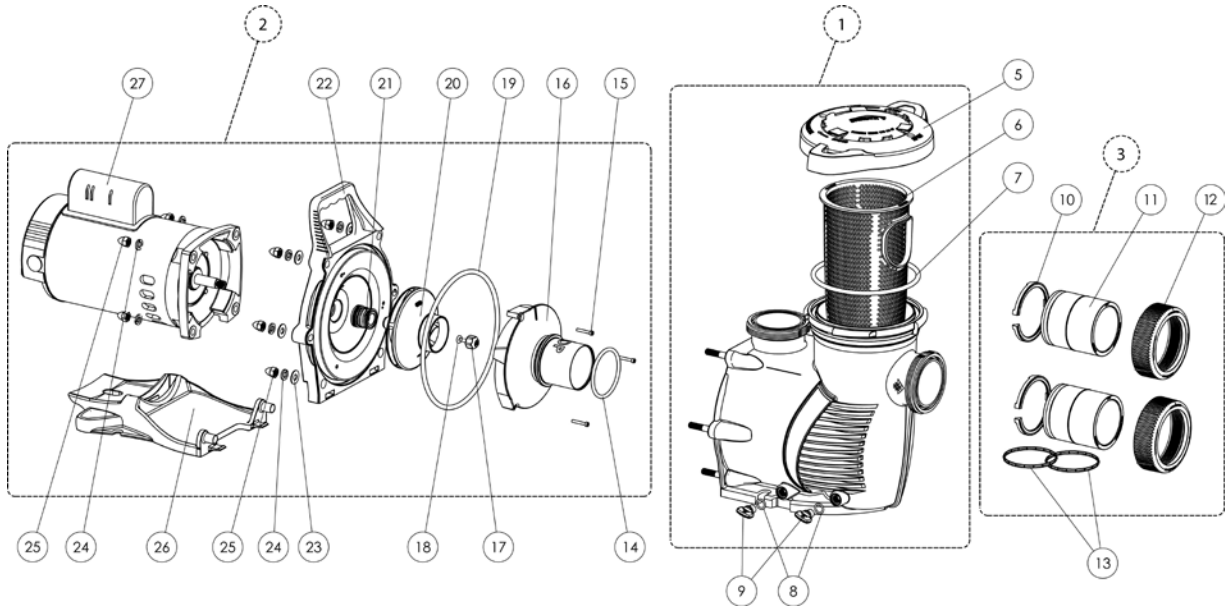
## REPLACEMENT PARTS

Item	Part No.	Description	US List	Can. List
<b>INTELLIFLO i1 VARIABLE SPEED PUMP</b>				
1	070387Z	Basket WF	25.10	30.16
2	070429Z	Bolt, 3/8-16 X 7/8 SS Hex Head 18-8, 4 req.	4.72	5.67
3	070430	Bolt, 3/8-16 x 1-1/4 hex cap 18-8 S/S, 4 req.	3.76	4.52
4	070431	Bolt, 3/8-16 x 2 hex cap 18-8 S/S, 2 req.	4.13	4.96
5	070927	Foot WF, pump motor support, almond	57.53	69.13
6	070929	Foot insert WF pump, almond	28.86	34.68
7	071131Z	Plug drain WFE, almond, (2 req.)	9.23	11.09
8	071403	Nut, 3/8-16 brass nickel plated, 2 req.	2.31	2.78
9	071406	Nut, 1/4-20 hex S/S, 2 req.	2.31	2.78
10	355227Z	O-ring #238, 3.484 x .139, buna N 70	4.89	5.88
11	071652Z	Screw, 1/4, 20 x 1 LH phillips pan MS 18-8 S/S, 1 req.	4.72	5.67
12	071657Z	Screw, 1/4-20 x 1 in. hex cap 18-8 S/S, 2 req.	4.72	5.67
13	071660Z	Screw set, 4-40 x 1-1/8 WFE sckt cap 18-8 S/S, 2 req.	4.89	5.88
14	072183	Washer, flat 1/4 x 5/8 20GA thick 18-8 S/S, 2 req.	2.31	2.78
15	072184	Washer, 3/8 ID x 7/8 OD .05 thick 18-8 S/S, 6 req.	2.31	2.78
16	072930	Diffuser assembly	114.06	137.05
17	073128	Impeller, 1 HP	149.77	179.96
18	075713	Rubber washer, WFE pump, 1 req.	2.31	2.78
19	192115Z	O-ring 112, .487 x .103 buna -N 70, 2 req.	3.79	4.55
20	350013Z	O-ring lid CH/WF 2-436, 1 req.	5.66	6.80
21	350015	Housing WFE, almond	342.46	411.50
22	350202	Seal plate kit, almond w/ gasket (Items 23, 35, 36)	302.15	363.06
23	357100Z	Black Gasket for Seal plate	9.68	11.63
24	357151	Lid, see thru WF.	53.86	64.72
24	357156	Lid, Chemical Resistant	101.61	122.09
25	357199	Clamp cam & ramp WF, almond	71.54	85.96
26	357243	Pot WF assy., almond (contains 1, 7 (qty. 2), 19 (qty. 2), 20, 21, 24, 25)	716.59	861.05
27	350621	Junction Box Cover - Almond	30.45	36.59
28	356879Z	IntelliFlo Variable Speed Drive Kit - Contains Drive and Control Cover Assy.	2143.65	2575.81
29	352401	Motor fan kit, almond (contains fan, shroud, hardware).	260.43	312.93

Item	Part No.	Description	US List	Can. List
30	350601	Drive Control Cover assembly kit, almond (contains drive lid, screws, spacer caps, items 31, 32 (qty. 3), 33, 34 (qty. 3))	324.91	390.41
31	350082	Control cover assembly (Not sold individually - order assy kit item 30)	CALL	CALL
32	350107	Screw 10-24 x 3/4 in. PH MS 18-8 s/s (qty. 3)	6.28	7.55
33	350108	IntelliFlo drive gasket	13.05	15.68
34	350142	Spacer cap (qty. 3)	45.61	54.80
35	071734S	Seal Kit	45.47	54.64
35	071732S	Mechanical Seal (ozone/salt resistant)	38.09	45.77
36	074564Z	Seal Plate - Almond	163.10	195.98
37	350105S	Motor VFD 3.2KW PMSM replacement, almond	1355.68	1628.99
<b>NOT SHOWN</b>				
	070119	Power end IntelliFlo Variable Speed (Contains items 2 (qty. 4), 10, 11, 13, 15, 16, 17, 18, 19, 22, 28, 37)	CALL	CALL
	350122	50 ft. Communication Cable	253.81	304.98
	357149	Almond Volute/Seal plate Replacement Kit (Items 1, 7 (Qty 2), 19 (Qty 2), 20, 21, 22, 23, 24, 25)	450.60	541.44
	350612	Hardware/gasket assy. kit (contains 3 screws, 3 spacer caps and drive gasket)	162.18	194.88
	356198	WhisperFlo/IntelliFlo Quick Kit (includes 35, 10, 18, 23, 20, 19(x2))	50.17	60.28
	357603	Union Kit (contains 2 complete unions for one pump, not included with pump).	167.57	201.35
	350201	Seal plate kit without gasket (Items 35 and 36)	CALL	CALL
	350199	Seal Plate Kit (ozone/salt resistant)	295.09	354.58

# WHISPERFLOXF® PUMP

## REPLACEMENT PARTS



Item	Part No.	Description	US List	Can. List
<b>WHISPERFLO XF PUMP</b>				
1	400000	Wet End Assembly	471.40	566.43
2	See chart on next page	Power End Assembly		
3	410020	Union Kit Without Tap	214.75	258.04
5	400006	Lid/Locking Ring Assembly	82.95	99.67
6	400007Z	XF Series Replacement Basket	51.87	62.33
7	35505-1440	Lid/Locking Ring O-Ring	27.82	33.43
8	192115Z	Drain Plug O-Ring	3.79	4.55
9	071131Z	Drain Plug (2 req.)	9.23	11.09
10	410001	2.5 in. C-Clip Locking Ring	10.51	12.63
11	410002	2.5 in. Union Adapter without Tap	49.77	59.80
12	411000	2.5 in. Union Nut	28.85	34.67
13	410016Z	2.5 in. Seal Kit - (Includes two)	17.75	21.33
14	350336	Diffuser O-Ring	4.91	5.90
15	353323	Diffuser Screw	4.91	5.90
16	See chart on next page	Diffuser		
17	37337-6080	Impeller Screw, Plastic Head (pumps mfg. before 10/7/2019)	28.87	34.69
17	356073	Impeller Screw, Metal-Head (pumps mfg. after 10/7/19)	11.30	13.58
18	072172	Impeller screw washer	0.37	0.44

Item	Part No.	Description	US List	Can. List
19	351446	Seal Plate O-Ring	9.36	11.25
20	See chart on next page	Impeller Assembly (includes screw and washer)	CALL	CALL
21	17351-0101S	Mechanical Seal Assembly	39.12	47.01
22	400002	Seal Plate	311.55	374.36
23	072184	Flat Washer	2.31	2.78
24	U43-12SS	Split Lock Washer	4.02	4.83
25	071413	Acorn Nut	1.82	2.19
26	400004Z	Motor Base	57.53	69.13
27	See chart on next page	Motors		
<b>NOT SHOWN</b>				
	400030Z	Hardware and Orings Kit	94.27	113.27
	400031Z	Seal Plate Kit w/ Mechanical Seal	301.72	362.55
	400012	Riser Plate XF to Challenger	99.53	119.60
	400013Z	Motor End Cap and Screw	38.98	46.84
	357923Z	Fan Guard Kit TEFC/Super-Duty	CALL	CALL

CALIFORNIA PROPOSITION 65 WARNING

⚠️ **WARNING:** Cancer and Reproductive Harm.  
 ⚠️ **AVERTISSEMENT:** Peut Causer le Cancer et des Dommages au Système Reproducteur.  
 ⚠️ **ADVERTENCIA:** Cáncer y Daño Reproductivo.

www.p65warnings.ca.gov. P652017A

# WHISPERFLOXF<sup>®</sup> PUMP (CONT'D)

## REPLACEMENT PARTS

Item	Part No.	Description	US List	Can. List
<b>IMPELLERS</b>				
20	400020Z	XFET-8	175.23	210.56
20	400015Z	XFET-12	189.88	228.16
20	400023Z	XFET-20	204.46	245.68
20	400020Z	XF-8	175.23	210.56
20	400015Z	XF-12	189.88	228.16
20	400020Z	XFE-8	175.23	210.56
20	400015Z	XFE-12	189.88	228.16
20	400023Z	XFE-20	204.46	245.68
20	400020Z	XFDS-8	CALL	CALL
20	400015Z	XFDS-12	CALL	CALL
20	400020Z	XFDS-30	CALL	CALL
20	400020Z	XF-30	175.23	210.56
20	400020Z	XFE-30	175.23	210.56
20	400020Z	XFJ-8	175.23	210.56
20	400015Z	XFJ-12	189.88	228.16
20	400023Z	XFJ-20	204.46	245.68
20	400020Z	XFK-8	175.23	210.56
20	400015Z	XFK-12	189.88	228.16
20	400023Z	XFK-20	204.46	245.68




<b>MOTORS</b>				
27	354815S	2hp 1-Phase TEFC 208-230V	1696.14	2038.08
27	354817S	3hp 1-Phase TEFC 208-230V	2216.40	2663.22
27	354819S	5hp 1-Phase TEFC 208-230V	2766.18	3323.84
27	355026S	2hp Standard E 230V	1625.64	1953.36
27	355033S	3hp Standard E 230V	2115.16	2541.58
27	355014S	2hp High Eff 208-230V	1626.78	1954.74
27	355016S	3hp High Eff 208-230V	2125.76	2554.32
27	353317S	5hp High Eff 208-230V	2788.60	3350.78
27	359526S	2hp 2 Speed 230V	CALL	CALL
27	353316S	3hp 2 Speed 230V	CALL	CALL
27	359526S	2.5hp Uprated 2 Speed 230V	3394.29	4078.59
27	355026S	2.5hp Uprated Standard E 230V	CALL	CALL
27	355014S	2.5hp Uprated High E 208-230V	CALL	CALL
27	354809S	2hp 3 Phase 208-230-460V	CALL	CALL
27	354811S	3hp 3 Phase 208-230-460V	CALL	CALL
27	354813S	5hp 3 Phase 208-230-460V	CALL	CALL

Item	Part No.	Description	US List	Can. List
<b>DIFFUSERS</b>				
16	400010	XFET-8	136.34	163.83
16	400010	XFET-12	136.34	163.83
16	400011Z	XFET-20	147.16	176.83
16	400010	XF-8	136.34	163.83
16	400010	XF-12	136.34	163.83
16	400010	XFE-8	136.34	163.83
16	400010	XFE-12	136.34	163.83
16	400011Z	XFE-20	147.16	176.83
16	400010	XFDS-8	136.34	163.83
16	400010	XFDS-12	136.34	163.83
16	400010	XFDS-30	136.34	163.83
16	400010	XF-30	136.34	163.83
16	400010	XFE-30	136.34	163.83
16	400010	XFJ-8	136.34	163.83
16	400010	XFJ-12	136.34	163.83
16	400011Z	XFJ-20	147.16	176.83
16	400010	XFK-8	136.34	163.83
16	400010	XFK-12	136.34	163.83
16	400011Z	XFK-20	147.16	176.83

<b>POWER ENDS</b>				
2	400632Z	2hp 1-Phase TEFC 208-230V	1871.85	2249.21
2	400633Z	3hp 1-Phase TEFC 208-230V	2246.66	2699.59
2	400634Z	5hp 1-Phase TEFC 208-230V	2425.63	2914.64
2	400612Z	2hp Standard E 230V	1722.00	2069.16
2	400613Z	3hp Standard E 230V	1842.14	2213.52
2	400609Z	2hp High Eff 208-230V	1749.40	2102.08
2	400610Z	3hp High Eff 208-230V	2099.66	2522.95
2	400611Z	5hp High Eff 208-230V	2266.95	2723.97
2	400607Z	2hp 2 Speed 230V	1930.90	2320.17
2	400608Z	3hp 2 Speed 230V	2120.38	2547.85
2	400607Z	2.5hp Uprated 2 Speed 230V	1930.90	2320.17
2	400612Z	2.5hp Uprated Standard E 230V	1722.00	2069.16
2	400609Z	2.5hp Uprated High E 208-230V	1749.40	2102.08
2	400617Z	2hp 3 Phase 208-230-460V	1800.81	2163.85
2	400618Z	3hp 3 Phase 208-230-460V	1920.61	2307.80
2	400619Z	5hp 3 Phase 208-230-460V	2216.92	2663.85

**Note: Pumps and replacement motors that are single speed and one (1) Total HP or greater cannot be sold, offered for sale, or installed in a residential pool for filtration use in California, Title 20 CCR sections 1601-1609.**

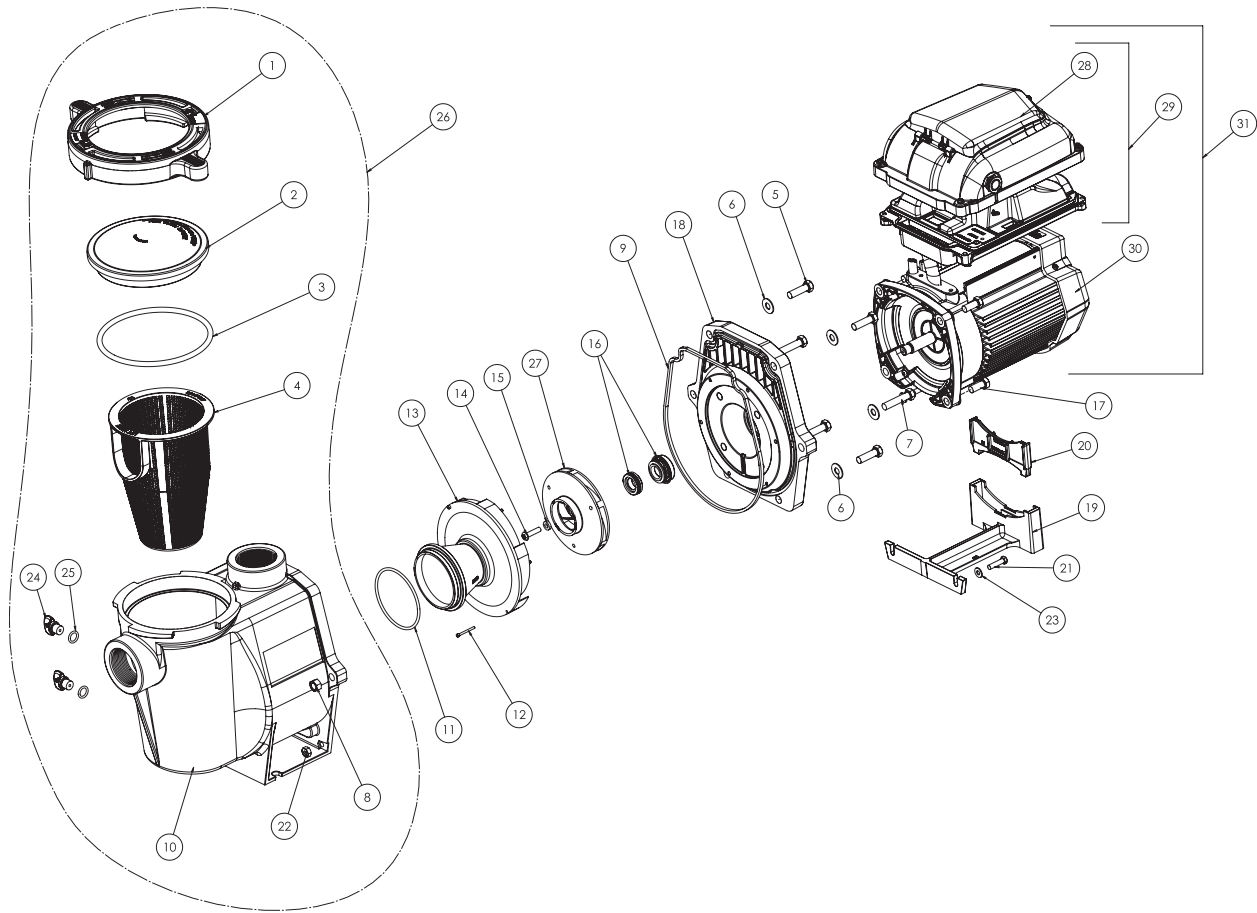
CALIFORNIA PROPOSITION 65 WARNING

 **WARNING:** Cancer and Reproductive Harm.  
 **AVERTISSEMENT:** Peut Causer le Cancer et des Dommages au Système Reproducteur.  
 **ADVERTENCIA:** Cáncer y Daño Reproductivo.

[www.p65warnings.ca.gov](http://www.p65warnings.ca.gov)
PN2015A

# WHISPERFLO® VST

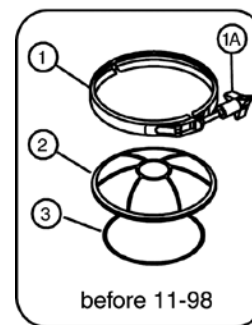
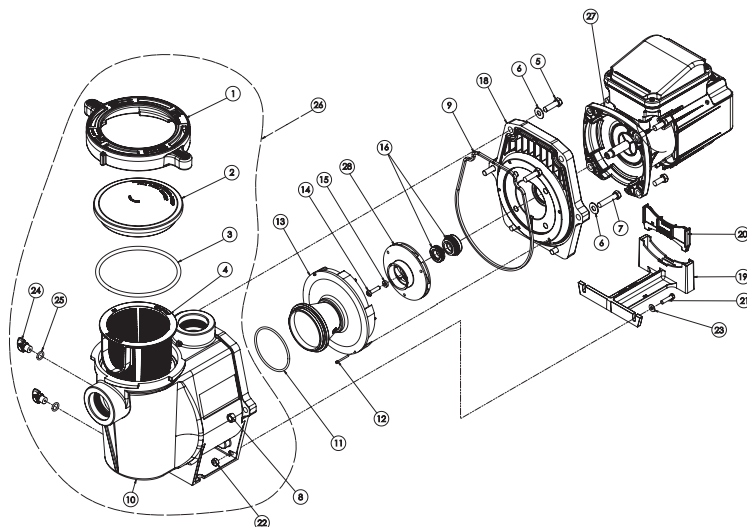
## REPLACEMENT PARTS



Item	Part No.	Description	US List	Can. List
<b>WHISPERFLO VST</b>				
1	357199	Lid Clamp	71.54	85.96
2	357151	Lid	53.86	64.72
2	357156	Lid, Chemical Resistant	101.61	122.09
3	350013z	O-ring, Lid	5.66	6.80
4	070387z	Strainer Basket	25.10	30.16
5	070430	Bolt, 3/8 - 16 x 1-1/4 Hex Head. SS, 4 Req.	3.76	4.52
6	072184	Washer, 3/8 x 7/8 O.D. SS, 6 Req.	2.31	2.78
7	070431	Bolt, 3/8 - 16 x 2 Hex Head. SS, 2 Req.	4.13	4.96
8	071403	Nut, 3/8, 16 Hex Head, 2 Req.	2.31	2.78
9	357100z	Gasket, Seal Plate	9.68	11.63
10	350015	Strainer Pot	342.46	411.50
11	355227z	O-ring, Diffuser	4.89	5.88
12	071660z	Screw, Diffuser, 2 Req.	4.89	5.88
13	072927z	Diffuser	114.06	137.05
14	071652z	Impeller Screw, 1/4 - 20 x 1 in., LH, Phillips	4.72	5.67
15	075713	Washer, Impeller Screw	2.31	2.78
16	071734s	Shaft Seal, PA-7 w/ Ceramic Seat, PS1000	45.47	54.64
16	071732s	Shaft Seal, Ozone/Salt Resistant	38.09	45.77
17	070429z	Bolt, Motor/Seal Plate, 4 Req.	4.72	5.67

Item	Part No.	Description	US List	Can. List
18	350202	Seal Plate Kit (Shaft Seal installed) (Incl. Items 9, 16 & 18)	302.15	363.06
19	070927	Motor Foot	57.53	69.13
20	070929	Insert, Motor Foot	28.86	34.68
21	071657z	Screw, Motor Foot, 2 Req.	4.72	5.67
22	071406	Nut, Motor Foot, 2 Req.	2.31	2.78
23	072183	Washer, Motor Foot, 2 Req.	2.31	2.78
24	071131z	Drain Plug, 2 Req.	9.23	11.09
25	192115	O-ring, Drain Plug, 2 Req.	CALL	CALL
26	357149	Strainer Pot/Seal Plate Kit, (Incl. Items: 1-4, 9, 10, 16, 18, 24, and 25)	450.60	541.44
27	073130	Impeller	149.77	179.96
28	356279	Drive Cover	471.21	566.21
29	356282	Drive Kit	1288.46	1548.21
30	356286s	Motor	868.79	1043.94
31	356289s	Motor/Drive Assembly	2035.77	2446.18
<b>NOT SHOWN</b>				
	075455	Fluid Assembly, (Incl. All Items EXCEPT 31)	1124.00	1350.60
	357243	Strainer Pot Assembly, (Incl. Items 1-4, 10, 24 and 25)	716.59	861.05
	356324z	RS-485 Automation Wiring Kit	112.75	135.48
	357923z	Motor Fan Guard Kit	CALL	CALL

# WHISPERFLO® PUMP REPLACEMENT PARTS



CALIFORNIA PROPOSITION 65 WARNING  
 ⚠️ **WARNING:** Cancer and Reproductive Harm.  
 ⚠️ **AVERTISSEMENT:** Peut Causer le Cancer et des Dommages au Système Reproducteur.  
 ⚠️ **ADVERTENCIA:** Cáncer y Daño Reproductivo.  
[www.p65warnings.ca.gov](http://www.p65warnings.ca.gov) P6502514

Item	Part No.	Description	US List	Can. List
<b>WHISPERFLO PUMPS</b>				
1	070711	Clamp band assembly, SS, WF/AQ <sup>5</sup> (old style)	132.49	159.20
1	357150	Clamp, Cam & Ramp™, plastic, black, WF <sup>7</sup>	71.54	85.96
1	357199	Clamp, Cam & Ramp, plastic, almond, WF <sup>8</sup>	71.54	85.96
1A	071136Z	Knob, only <sup>5</sup>	34.59	41.56
2	070795	Cover, clear, AQ/WFE pump <sup>5</sup> (old style)	74.91	90.01
2	357151	Cover, clear, WFE pump <sup>6</sup>	53.86	64.72
2	357156	Cover, chemical resistant Cam & Ramp	101.61	122.09
3	071422	O-ring, AQ/WFE cover <sup>5</sup>	10.39	12.48
3	350013Z	O-ring, WFE cover <sup>6</sup>	5.66	6.80
4	070387Z	Basket	25.10	30.16
5	070430	Bolt, 3/8, 16 x 1-1/4 hex hd. SS, 4 req.	3.76	4.52
6	072184	Washer, 3/8 x 13/16 o.d. SS, 6 req.	2.31	2.78
7	070431	Bolt, 3/8, 16 x 1-3/4 hex hd. SS, 2 req.	4.13	4.96
8	071403	Nut, 3/8, 16 hex hd., 2 req.	2.31	2.78
9	071445	O-ring parker No.2-265, WFE pump <sup>1,4</sup>	25.87	31.09
9	357100Z	Black Gasket for Seal Plate <sup>14</sup>	9.68	11.63
9	357102Z	Almond Gasket for Seal Plate <sup>15</sup>	9.68	11.63
10	357149	Volute & Sealplate, Almond Replacement Kit <sup>6</sup>	450.60	541.44
10	350015	Volute, almond	342.46	411.50
10	357157	Volute, black	342.46	411.50
11	355227Z	O-ring parker No.2-238, WFE pump	4.89	5.88
12	071660Z	Set screw, 4-40 x 1-1/8 WFE, 2 req.	4.89	5.88
13	072928	Diffuser assembly, WFE-12, 3 HP; WFK-12, 3HP models	136.34	163.83
13	072927Z	Diffuser assembly, WFE-2-8, 1/2 HP - 2-1/2 HP	114.06	137.05
14	071652Z	Set screw, 1/4, 20 x 1 lh. phillips	4.72	5.67

Item	Part No.	Description	US List	Can. List
15	075713	Rubber washer, WFE pump	2.31	2.78
16	071734S	Seal PA-7 w/ ceramic seat, PS1000	45.47	54.64
16	071732S	Mechanical Seal (ozone/salt resistant)	38.09	45.77
17	070429Z	Bolt, 3/8-16 X 7/8 SS Hex Head 18-8, 4 req.	4.72	5.67
18	350202	Seal Plate Kit, Almond with Gasket (Includes Mechanical Seal Installed and Seal Plate Gasket) Items 9, 16 & 18	302.15	363.06
18	350101	Seal Plate Kit WFE Black (Includes Mechanical Seal installed) Items 16 & 18	CALL	CALL
19	070927	Foot, WFE-4 pump, almond	57.53	69.13
19	357159	Foot, black <sup>9</sup>	57.53	69.13
20	070929	Foot insert, WFE pump, almond	28.86	34.68
20	357160	Foot insert, WFE pump, black <sup>9</sup>	28.86	34.68
21	071657Z	Screw, 1/4, 20 x 1 in. hh. SS, 2 req.	4.72	5.67
22	071406	Nut, 1/4, 20 hex. hd. SS, 2 req.	2.31	2.78
23	072183	Washer, flat 1/4 x 5/8, 2 req.	2.31	2.78
24	071131Z	Knob plug drain, almond (2 req.)	9.23	11.09
24	357161Z	Knob plug drain, 2 req., black <sup>9</sup>	7.57	9.10
25	192115Z	O-Ring drain plug, 2 req.	3.79	4.55
26	357149	Almond Volute/Seal plate kit <sup>6</sup> (Includes items 1-4, 9, 10, 16, 18, 24, 25.)	450.60	541.44
<b>MOTORS</b>				
27	356363S	1.1 THP Motor	1303.42	1566.18
27	354803S	3/4 HP, 1SP, TEFC	1112.96	1337.34
27	354821S	1 HP, 1SP, TEFC, WFET- 4	1208.60	1452.26
27	354823S	1-1/2 HP, 1SP, TEFC, WFET- 6	1423.58	1710.58
27	354815S	2 HP, 1SP, TEFC, WFET- 8	1696.14	2038.08
27	354817S	3 HP, 1SP, TEFC, WFET- 12	2216.40	2663.22
27	355008S	3/4 HP, 1SP, WFE- 2, 3 & 24	1067.42	1282.62
27	355010S	1 HP, 1SP, WFE- 4 & 26	1159.14	1392.82
27	355012S	1-1/2 HP, 1SP, WFE- 6 & 28	1365.40	1640.66
27	355014S	2 HP, 1SP, WFE-8 & 30	1626.78	1954.74

**Note:** Pumps and replacement motors that are single speed and one (1) Total HP or greater cannot be sold, offered for sale, or installed in a residential pool for filtration use in California, Title 20 CCR sections 1601-1609.

Product on pages 228-229.



# WHISPERFLO® PUMP (CONT'D)

## REPLACEMENT PARTS

Item	Part No.	Description	US List	Can. List
<b>MOTORS</b>				
27	355016S	3 HP, 1SP, WFE-12,	2125.76	2554.32
27	350088S	3/4 HP, 2 sp, WFDS-3	714.65	858.72
27	356630S	1 HP, 2 sp., WFDS-4 & 26 <sup>11</sup>	1495.04	1796.44
27	071320S	1-1/2 HP, 2 sp., WFDS-6 & 28 <sup>11</sup>	1810.14	2175.06
27	071321S	2 HP, 2 sp., WFDS-8 & 30 <sup>11</sup>	CALL	CALL
27	355018S	1/2 HP, 1SP, WF-2, 23	847.48	1018.34
27	355020S	3/4 HP, 1SP, WF-3, 24	999.28	1200.74
27	355022S	1 HP, 1SP, WF-4, 26	1110.84	1334.78
27	355024S	1-1/2 1SP, HP, WF-6, 28	1376.30	1653.76
27	355026S	2 HP, 1SP, WF-8, 30	1625.64	1953.36
27	355033S	3 HP, 1SP, WF-12	2115.16	2541.58
27	355002S	1/2 HP, 3PH, 1SP	1167.14	1402.44
27	355001S	3/4 HP, 3PH, 1SP	1139.26	1368.94
27	354805S	1 HP, 3PH, 1SP, WFK-4	1290.20	1550.30
27	354807S	1.5 HP, 3PH, 1SP, WFK-6	1604.14	1927.54
27	354809S	2 HP, 3PH, 1SP, WFK-8	1789.62	2150.40
27	354811S	3 HP, 3PH, 1SP, WFK-12	2166.32	2603.06
<b>IMPELLERS</b>				
28	073126	Impeller (WF-2, WF-23, WFE-2, WFK-2,)	149.77	179.96
28	073127	Impeller (WFE-3, WFE-24, WF-3, WF-24, WFK-3, WFDS-3, WFDS-24)	149.77	179.96
28	073128	Impeller (WFE-4, WFE-26, WF-4, WF-26, WFK-4, WFDS-4, WFDS-26)	149.77	179.96
28	073129	Impeller (WF-6, WF-28, WFE-6, WFE-28, WFK-6, WFDS-6, WFDS-28)	149.77	179.96
28	073130	Impeller (WF-8, WF-30, WFE-8, WFE-30, WFK-8, WFDS-8, WFDS-30)	149.77	179.96
28	073131	Impeller (WFE-12, WF-12, WFK-12)	149.77	179.96

Item	Part No.	Description	US List	Can. List
<b>FLUID ENDS-ALL PARTS, W/O MOTOR</b>				
	075452	WFE-3 fluid end, 3/4 HP	1144.80	1375.59
	075453	WFE-4 fluid end, 1 HP	1123.25	1349.70
	075454	WFE-6 fluid end, 1-1/2 HP	1133.77	1362.34
	075455	WFE-8 fluid end, 2 HP	1124.00	1350.60
	075456	WFE-12 fluid end, 3 HP	1120.26	1346.10

Item	Part No.	Description	US List	Can. List
<b>NOT SHOWN</b>				
	79129900	2-Speed Toggle Switch with Mounting plate	73.22	87.98
	350202	Seal Plate Kit: Seal plate (almond), Gasket (black), with installed Seal (Includes items 9, 16, & 18)	302.15	363.06
	350203	Seal Plate Kit: Seal plate (black), Gasket (black), with installed Seal (Includes items 9, 16, & 18)	302.15	363.06
	356198	WhisperFlo/IntelliFlo Quick Kit (includes 16, 9, 11, 3, 145, 25(x2))	50.17	60.28
	357243	Pot Assembly, Almond NPT. (Includes items 1-4, 10, 24 (qty. 2), 25 (qty. 2))	716.59	861.05
	357244	Pot Assembly, Black NPT. (Includes items 1-4, 10, 24 (qty. 2), 25 (qty. 2))	716.59	861.05
	355001S	Motor for Pump 011021	1139.26	1368.94
	355002S	Motor for Pump 340061	1167.14	1402.44
	400013Z	ODP Motor End Cap and Screw	38.98	46.84
	357923Z	Fan Guard Kit TEFC/Super-Duty	CALL	CALL
	350199	Seal Plate Kit (ozone/salt resistant)	295.09	354.58

**POWER END SUBASSY. INCLUDES ITEMS No. 12 THRU 18, 27, 28 , CONT.**

	075251	WF-2, WF-23	2737.24	3289.06
	075145	WFDS-3, WFDS-24	3701.26	4447.44
	075136	WFE-2	2904.52	3490.08
	075137	WFE-3, WFE-24 <sup>3</sup>	2934.00	3525.50
	075138	WFE-4, WFE-26 <sup>3</sup>	3123.50	3753.20
	075139	WFE-6, WFE-28 <sup>3</sup>	3659.60	4397.38
	075140	WFE-8, WFE-30 <sup>3</sup>	4208.62	5057.08
	075141	WFE-12 <sup>3</sup>	5224.08	6277.26
	075142	WFDS-4, WFDS-26 <sup>11</sup>	CALL	CALL
	075143	WFDS-6, WFDS-28 <sup>11</sup>	CALL	CALL
	075144	WFDS-8, WFDS-30 <sup>11</sup>	CALL	CALL
	075252	WF-3, WF-24 <sup>10</sup>	2874.14	3453.56
	075253	WF-4, WF-26 <sup>10</sup>	3035.68	3647.68
	075254	WF-6, WF-28 <sup>10</sup>	3602.34	4328.58
	075255	WF-8, WF-30 <sup>10</sup>	4140.16	4974.82
	075256	WF-12 <sup>10</sup>	5189.08	6235.20

- <sup>1</sup> Used on pumps manufactured before 6-94.
- <sup>2</sup> Used on pumps manufactured after 6-94.
- <sup>3</sup> Energy efficient single phase.
- <sup>4</sup> Pumps manufactured before 11-98 require a volute replacement kit (357149) when replacing items No.9-gasket, No.10-volute, or No.18-seal plate. This kit will update the pump to the new configuration using the "Cam and Ramp" lid design.
- <sup>5</sup> Used on pumps manufactured before 11-98.
- <sup>6</sup> Used on pumps manufactured after 11-98. Includes items 1-4, 9, 10, 16, 18, 24, 25.
- <sup>7</sup> Used on pumps manufactured between 11-98 thru 12-17-99.
- <sup>8</sup> Used on pumps manufactured after 12-17-99.
- <sup>9</sup> CSA/CUL (only) for Canada.
- <sup>10</sup> Standard efficiency, single phase.
- <sup>11</sup> Two Speed, single phase.
- <sup>12</sup> Includes items 16 & 18.
- <sup>14</sup> 2-1-08 to present.
- <sup>15</sup> 1-31-08 and prior.

**Note: Pumps and replacement motors that are single speed and one (1) Total HP or greater cannot be sold, offered for sale, or installed in a residential pool for filtration use in California, Title 20 CCR sections 1601-1609.**

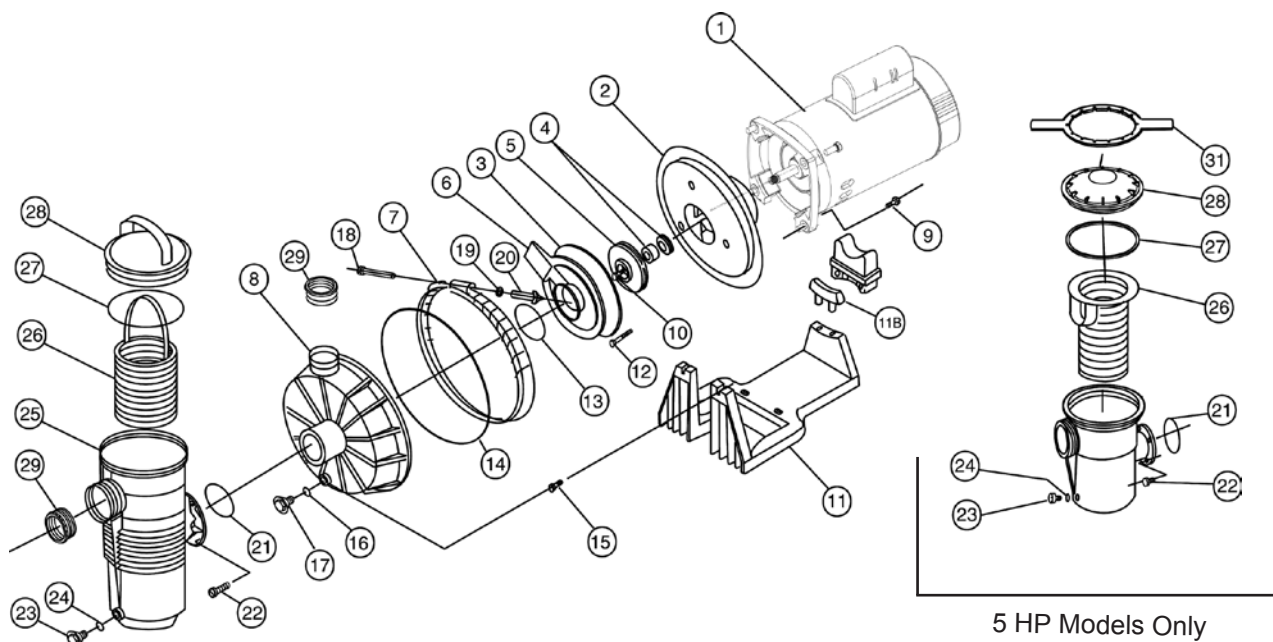
CALIFORNIA PROPOSITION 65 WARNING

▲ **WARNING:** Cancer and Reproductive Harm.  
▲ **AVERTISSEMENT:** Peut Causer le Cancer et des Dommages au Système Reproducteur.  
▲ **ADVERTENCIA:** Cáncer y Daño Reproductivo.

www.p65warnings.ca.gov. P65019A

# CHALLENGER® HIGH FLOW PUMP

## REPLACEMENT PARTS



5 HP Models Only

Item	Part No.	Description	US List	Can. List
<b>CHALLENGER HIGH FLOW PUMP MOTORS</b>				
1	354804S	3/4HP, 1SP,1PH, TEFC, 115/208-230	1112.96	1337.34
1	354822S	1HP, 1SP,1PH, TEFC, 115/208-230	1208.60	1452.26
1	354824S	1-1/2HP, 1SP,1PH, TEFC, 208-230	1423.58	1710.58
1	354816S	2HP, 1SP,1PH, TEFC, 208-230	1696.14	2038.08
1	355019S	1/2F, 3/4A std. sq. fig., 115/208-230	853.04	1025.02
1	355021S	3/4F, 1A std. sq. fig., 115/208-230	999.22	1200.66
1	355023S	1F, 1-1/2A std. sq. fig., 115/208-230	1110.84	1334.78
1	355025S	1-1/2F, 2A std. sq. fig., 115/208-230	1376.30	1653.76
1	355027S	2F, 2-1/2A std. sq. fig., 208-230	1625.64	1953.36
1	355034S	3F std. sq. fig. 230 only	2114.92	2541.28
1	355009S	3/4FE, 1AE sq. fig. 115/208-230	1067.36	1282.54
1	355011S	1FE, 1-1/2AE sq. fig. 115/208-230	1159.14	1392.82
1	355013S	1-1/2FE, 2AE sq. fig. 208-230	1365.40	1640.66
1	355015S	2FE, 2-1/2AE sq. fig. 208-230	1681.74	2020.78
1	355017S	3FE, 1 ph sq. fig. 208-230	2125.74	2554.28
1	353319S	5FE, 1 ph, 5 HP, 208-230	2653.00	3187.84
1	355375S	3/4F, 1A std. sq. fig. 2 sp. 115 only, 28 lbs.	1453.20	1746.16
1	355232S	3/4F, 1A std. sq. fig. 2 sp. 230 only	1320.16	1586.30
1	355376S	1F, 1-1/2A std. sq. fig. 2 sp. 230 only	1495.04	1796.44
1	355377S	1-1/2F, 2A std. sq. fig. 2 sp. 230 only	1810.00	2174.90

Item	Part No.	Description	US List	Can. List
1	355378S	2F, 2-1/2A std. sq. fig. 2 sp. 230 only	2262.74	2718.90
2	355004	Plate, seal - black	152.42	183.15
3	355028	Plate, mounting 1/2F, 3/4F, 3/4A, 1A	35.52	42.68
3	355078	Plate, mounting 1F, 1-1/2F, 1-1/2A, 2A	22.35	26.86
3	355095	Plate, mounting 2F, 2-1/2A	38.60	46.38
3	355495	Plate, mounting 5F	20.65	24.81
4	354545S	Seal, 5/8 in. mechanical	42.94	51.60
	356210S	Seal, mechanical (ozone/salt resistant)	47.85	57.50
5	355043	Impeller, 1/2F, 3/4A	81.65	98.11
5	355067	Impeller, 3/4F, 1A	83.28	100.07
5	355074	Impeller, 1F, 1-1/2A	84.24	101.22
5	355086	Impeller, 1-1/2F, 2A	84.83	101.93
5	355093	Impeller, 2F, 2-1/2A	86.38	103.79
5	355068	Impeller, 3F 50 Hz/5F 60 Hz	83.28	100.07
6	355029	Diffuser, 1/2F, 3/4F, 3/4A, 1A	60.66	72.89
6	355077	Diffuser, 1F, 1-1/2F, 1-1/2A, 2A	60.66	72.89
6	355094	Diffuser, 2F, 2-1/2A	65.02	78.13
6	355069	Diffuser, 3F, 50 Hz/5F 60 Hz	56.09	67.40
7	354629	Band clamp assembly, complete	119.32	143.37

**Note: Pumps and replacement motors that are single speed and one (1) Total HP or greater cannot be sold, offered for sale, or installed in a residential pool for filtration use in California, Title 20 CCR sections 1601-1609.**

CALIFORNIA PROPOSITION 65 WARNING

⚠️ **WARNING:** Cancer and Reproductive Harm.  
 ⚠️ **AVERTISSEMENT:** Peut Causer le Cancer et des Dommages au Système Reproducteur.  
 ⚠️ **ADVERTENCIA:** Cáncer y Daño Reproductivo.  
[www.p65warnings.ca.gov](http://www.p65warnings.ca.gov)

Replacement baskets on page 200.

# CHALLENGER® HIGH FLOW PUMP (CONT'D)

## REPLACEMENT PARTS

Item	Part No.	Description	US List	Can. List
<b>CHALLENGER HIGH FLOW PUMPS</b>				
8	355468	Housing, front, black <sup>4</sup>	222.48	267.33
8	355469	Housing, front, almond <sup>4</sup>	222.48	267.33
9	070429Z	Bolt, 3/8-16 X 7/8 SS Hex Head 18-8, 4 req.	4.72	5.67
10	355389	Screw, impeller locking	2.31	2.78
11	355305	Base, pump <sup>1</sup>	74.22	89.18
11B	355385	Adapter, 5-5/8 in. dia. motor <sup>2</sup>	18.96	22.78
12	355334Z	Screw, No.8, 32 hex wsh. hd., 3 req.	4.72	5.67
13	355030Z	O-ring, diffuser (all except 5 HP)	14.07	16.91
13	355331Z	O-ring diffuser, 5 HP only	4.72	5.67
14	355329Z	O-ring, front housing	25.19	30.27
15	355335	Screw, 5/16, 18 x 1/2 in. SS hex hd., 2 req.	2.31	2.78
16	192115Z	O-ring, drain plug	3.79	4.55
17	357161Z	Plug, 1/4 in. drain	7.57	9.10
18	152060	Bolt, 5/16, 18 x 4 in. carriage <sup>2</sup>	16.08	19.32
19	072173	Washer, 5/16 in. SS flat	2.65	3.18
20	174882	Knob (fits clamp w/ removable bolt only)	52.76	63.40
20	175025	Knob (fits clamp w/ captured T-bolt only)	52.76	63.40
21	355330	O-ring, strainer pot flange	2.65	3.18
22	354265	Screw, 5/16, 18 hex wsh. hd., 4 req.	3.21	3.86
23	357161Z	Plug, 1/4 in. drain	7.57	9.10
24	192115Z	O-ring, drain plug	3.79	4.55
25	355300	Strainer, pot, black <sup>3</sup>	219.35	263.57
26	355318Z	Basket, plastic strainer	61.55	73.96
26	355441	Basket, SS Strainer (3F Only)	283.57	340.74
26	355901	Basket, SS strainer, 5F	614.69	738.61
27	350013Z	O-ring, lid	5.66	6.80
27	152509Z	Square ring, 8-1/2 in. (5 HP only)	11.00	13.22
28	355301	Lid, strainer pot	96.58	116.05
28	354112	Lid, strainer pot, chemical resistant	96.58	116.05
28	355902	Lid, strainer pot, 5F, clear	112.01	134.59
28	355914	Lid, strainer pot, 5F, black, chemical resistant	94.23	113.23
29	552377	Bushing, reducer 1/2F, 3/4F, 3/4A, 1A, 2 req.	21.47	25.80
31	154527	Wrench, 8-1/2 in.	43.96	52.82

Item	Part No.	Description	US List	Can. List
<b>POWER END ASSEMBLIES (INCLUDES ITEMS 1-6, 9, 12 AND 13)</b>				
	355637	CF-N1-3/4F, 1A std., 115/208-230	1560.46	1875.05
	355638	CF-N1-1F, 1-1/2A std., 115/208-230	1672.16	2009.27
	355520	CF-N1-1-1/2F, 2A std., 115/208-230	1969.90	2367.03
	355984	CF-N1-3/4FE, 1AE 115/208-230	1605.60	1929.29
	355639	CF-N1-1-1/2FE, 2AE 208-230	1978.44	2377.29
	355986	CF-N1-2FE, 2-1/2AE 208-230	2507.94	3013.54
	355640	CF-N2-3/4F, 1A 2 sp. std., 115 only	2008.93	2413.93
	355641	CF-N2-1F, 1-1/2A 2 sp. std., 230 only	2065.05	2481.36
	355642	CF-N2-1-1/2F, 2A 2 sp. std., 230 only	2396.35	2879.45
	355987	CF-N2-2F, 2-1/2A 2 sp. std., 230 only	2849.97	3424.52
	345211	CFII-N1-5FE, power end	2866.41	3444.28
<b>NOT SHOWN</b>				
	355309	Union kit	164.40	197.54
	356199	Challenger Quick Kit (includes 4, 13, 14, 21, 27, 16, 24)	54.77	65.81
	357391	Pot Assembly, Black with SS basket (3F Only) Includes items 23-28	1034.35	1242.87
	359507	Pot Assembly, Black with plastic bracket (all models except 3F and 5F) Includes items 23-28.	387.16	465.21
	401014Z	Motor End Cap and Screw	38.98	46.84
	357924Z	Fan Guard Kit TEFC/Super-Duty	CALL	CALL

<sup>1</sup> Pump base (item 11) includes dual radius motor support adapter (item 11B) which fits both 5-5/8 in. & 6-1/2 in. dia. motors.

<sup>2</sup> Item 18, carriage bolt is a replacement part for old style clamp band assembly (item 7).

<sup>3</sup> Includes items 23 & 24.

<sup>4</sup> Includes items 16 & 17.

Note: Challenger booster pumps consist of 1-20.

Note: Challenger pumps consist of all items except No.15.

Note: When ordering replacement motor, give all information on motor name plate.

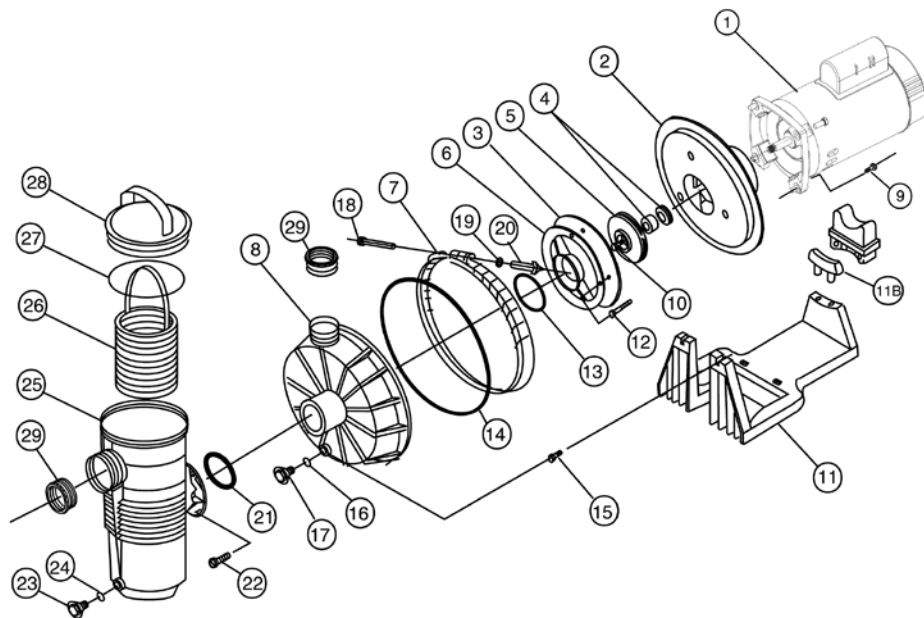
**Note: Pumps and replacement motors that are single speed and one (1) Total HP or greater cannot be sold, offered for sale, or installed in a residential pool for filtration use in California, Title 20 CCR sections 1601-1609.**

CALIFORNIA PROPOSITION 65 WARNING

▲ **WARNING:** Cancer and Reproductive Harm.  
▲ **AVERTISSEMENT:** Peut Causer le Cancer et des Dommages au Système Reproducteur.  
▲ **ADVERTENCIA:** Cáncer y Daño Reproductivo.

[www.p65warnings.ca.gov](http://www.p65warnings.ca.gov)
P650011A

# CHALLENGER® HIGH PRESSURE PUMP REPLACEMENT PARTS



Item	Part No.	Description	US List	Can. List
<b>CHALLENGER HIGH PRESSURE PUMP MOTORS</b>				
1	354804S	3/4HP, 1SP,1PH, TEFC, 115/208-230	1112.96	1337.34
1	354822S	1HP, 1SP,1PH, TEFC, 115/208-230	1208.60	1452.26
1	354824S	1-1/2HP, 1SP,1PH, TEFC, 208-230	1423.58	1710.58
1	354816S	2HP, 1SP,1PH, TEFC, 208-230	1696.14	2038.08
1	354818S	3HP, 1SP, 1PH, TEFC, 208-230	2216.40	2663.22
1	355019S	1/2F, 3/4A std. sq. fig., 115/208-230	853.04	1025.02
1	355021S	3/4F, 1A std. sq. fig., 115/208-230	999.22	1200.66
1	355023S	1F, 1-1/2A std. sq. fig., 115/208-230	1110.84	1334.78
1	355025S	1-1/2F, 2A std. sq. fig., 115/208-230	1376.30	1653.76
1	355027S	2F, 2-1/2A std. sq. fig., 208-230	1625.64	1953.36
1	355034S	3F std. sq. fig. 230 only	2114.92	2541.28
1	355009S	3/4FE, 1AE sq. fig. 115/208-230	1067.36	1282.54
1	355011S	1FE, 1-1/2AE sq. fig. 115/208-230	1159.14	1392.82
1	355013S	1-1/2FE, 2AE sq. fig. 208-230	1365.40	1640.66
1	355015S	2FE, 2-1/2AE sq. fig. 208-230	1681.74	2020.78
1	355017S	3FE, 1 ph sq. fig. 208-230	2125.74	2554.28
1	353319S	5FE, 1 ph, 5 HP, 208-230	2653.00	3187.84
1	355375S	3/4F, 1A std. sq. fig. 2 sp. 115 only, 28 lbs.	1453.20	1746.16
1	355232S	3/4F, 1A std. sq. fig. 2 sp. 230 only	1320.16	1586.30
1	355376S	1F, 1-1/2A std. sq. fig. 2 sp. 230 only	1495.04	1796.44
1	355377S	1-1/2F, 2A std. sq. fig. 2 sp. 230 only	1810.00	2174.90
1	355378S	2F, 2-1/2A std. sq. fig. 2 sp. 230 only	2262.74	2718.90
1	354806S	1 HP, 3 ph sq. fig. 208-230/460	1290.20	1550.30
1	354808S	1-1/2 HP, 3 ph sq. fig. 208-230/460	1604.14	1927.54
1	354810S	2 HP, 3 ph sq. fig. 208-230/460	1789.62	2150.40
1	354812S	3HP, 3 ph sq. fig. 208-230/460	2166.32	2603.06
1	354814S	5HP, 3 ph, sq. fig. 208-230/460	2633.30	3164.18
2	355004	Plate, seal - black	152.42	183.15

Item	Part No.	Description	US List	Can. List
3	355384	Plate, mounting 1/2F, 3/4A	45.52	54.70
3	355317	Plate, mount 3/4F thru 3F, 1A thru 2-1/2A	22.35	26.86
4	354545S	Seal, 5/8 in. mechanical PS 200	42.94	51.60
	356210S	Seal, mechanical (ozone/salt resistant)	47.85	57.50
5	355147	Impeller, 1/2F, 3/4A	81.65	98.11
5	355187	Impeller, 3/4F, 1A	83.28	100.07
5	355369	Impeller, 1F, 1-1/2A	84.49	101.52
5	355315	Impeller, 1-1/2F, 2A	84.83	101.93
5	355604	Impeller, 2F, 2-1/2A <sup>1</sup>	85.79	103.09
5	355544	Impeller, 3F	110.81	133.15
6	355148	Diffuser, 1/2F, 3/4A	49.76	59.79
6	355188	Diffuser, 3/4F, 1F, 1A, 11/2A	48.47	58.24
6	355270	Diffuser, 1-1/2F, 2A	50.09	60.19
6	355545	Diffuser, 3F, 2.5A, 2F <sup>2</sup>	82.77	99.46
7	355320	Band, clamp assembly complete	130.00	156.21
8	355468	Housing, front, black	222.48	267.33
8	355469	Housing, front, almond	222.48	267.33
9	070429Z	Bolt, 3/8-16 X 7/8 SS Hex Head 18-8, 4 req.	4.72	5.67
10	355389	Screw, imp. locking	2.31	2.78
11	355305	Base, pump <sup>3</sup>	74.22	89.18
11B	355385	Adapter, 5-5/8 in. dia. motor <sup>4</sup>	18.96	22.78
12	355334Z	Screw, 8-32 x 1 in. SS hex wsh. hd., 3 req.	4.72	5.67
13	355331Z	O-ring, diffuser	4.72	5.67

CALIFORNIA PROPOSITION 65 WARNING  
 ⚠️ **WARNING:** Cancer and Reproductive Harm.  
 ⚠️ **AVERTISSEMENT:** Peut Causer le Cancer et des Dommages au Système Reproducteur.  
 ⚠️ **ADVERTENCIA:** Cáncer y Daño Reproductivo.  
[www.p65warnings.ca.gov](http://www.p65warnings.ca.gov)

# CHALLENGER® HIGH PRESSURE PUMP (CONT'D)

## REPLACEMENT PARTS

Item	Part No.	Description	US List	Can. List
<b>CHALLENGER HIGH PRESSURE PUMPS</b>				
14	355329Z	O-ring, front housing	25.19	30.27
15	355335	Screw, 5/16 in., 18 x 1/2 in. SS hex wsh. hd., 2 req.	2.31	2.78
16	192115Z	O-ring, drain plug	3.79	4.55
17	357161Z	Plug, 1/4 in. drain	7.57	9.10
18	152060	Bolt, 5/16 in., 18 x 4 in. carriage <sup>5</sup>	16.08	19.32
19	072173	Washer, 5/16 in. SS flat	2.65	3.18
20	174882	Knob (fits clamp w/ removable bolt only)	52.76	63.40
20	175025	Knob (fits clamp w/ captured t-bolt only)	52.76	63.40
21	355330	O-ring, strainer pot flange	2.65	3.18
22	354265	Screw, 5/16 in., 18 x 3/4 in. SS hex wsh. hd., 4 req.	3.21	3.86
23	357161Z	Plug, 1/4 in. drain	7.57	9.10
24	192115Z	O-ring, drain plug	3.79	4.55
25	355300	Pot strainer	219.35	263.57
26	355318Z	Basket, plastic strainer (all except 3F)	61.55	73.96
26	355441	Basket, SS strainer (3F only)	283.57	340.74
27	350013Z	O-ring, lid	5.66	6.80
28	355301	Lid, strainer pot	96.58	116.05
28	354112	Lid, strainer pot chemical resistant	96.58	116.05
29	552377	Bushing, reducer 1/2F, 3/4F, 3/4A, 1A	21.47	25.80

<b>POWER END ASSEMBLIES (INCLUDES ITEMS 1-6, 9, 10, 12 AND 13)</b>				
	355670	CH-N1-1/2F, 3/4A std. power end 115/208-230	1463.80	1758.90
	355671	CH-N1-3/4F, 1A std. power end 115/208-230	1550.70	1863.32
	355672	CH-N1-1F, 1-1/2A std. power end 115/208-230	1663.68	1999.08
	355669	CH-N1-11/2F, 2A std. power end 115/208-230	1959.38	2354.39
	355674	CH-N1-1FE, 1-1/2AE power end 115/208-230	1854.81	2228.74
	355675	CH-N1-1-1/2FE, 2AE power end 208-230	1989.01	2389.99
	355676	CH-N1-2FE, 2-1/2AE power end 208-230 <sup>1</sup>	2507.94	3013.54
	355677	CH-N1-3FE, 1 ph power end 208-230	3308.75	3975.79
	355679	CH-N2-3/4F, 1A 2 sp. std. power end 115 only	1999.19	2402.23
	355680	CH-N2-1F, 1-1/2A 2 sp. std. power end 230 only	2056.42	2470.99
	355681	CH-N2-1-1/2F, 2A 2 sp. std. power end 230 only	2406.91	2892.14
	355682	CH-N2-2F, 2-1/2A 2 sp. std. power end 230 only	2860.89	3437.65

Item	Part No.	Description	US List	Can. List
<b>NOT SHOWN</b>				
	355302	Housing booster pump	307.85	369.91
	355309	Union Kit	164.40	197.54
	357391	Pot Assembly, Black with SS basket (3F Only) Includes items 23-28	1034.35	1242.87
	359507	Pot Assembly, Black with plastic bracket (all models except 3F and 5F) Includes items 23-28.	387.16	465.21
	356199	Challenger Quick Kit (includes 4, 13, 14, 21, 27, 16, 24)	54.77	65.81
	401014Z	Motor End Cap and Screw	38.98	46.84
	357924Z	Fan Guard Kit TEFC/Super-Duty	CALL	CALL

<sup>1</sup> Used on 2F, 2-1/2A pumps built after 10-1-92.

<sup>2</sup> Used on 2F, 2-1/2A pumps built prior to 10-1-92. Must replace w/ both diffuser 355545 & impeller 355604.

<sup>3</sup> Pump base, (item 11) includes dual radius motor support adapter (item 11B), which fits both 5-5/8 in. & 6-1/2 in. dia. motors.

<sup>4</sup> Item 11A motor support is a replacement part that fits only older style pump bases with rectangular opening.

<sup>5</sup> Carriage bolt (item 18) fits prev. style clamp band assembly (item 7).

Note: Challenger booster pumps consist of items 1-20.

Note: Challenger pool pumps consist of all items except item 15.

**Note: Pumps and replacement motors that are single speed and one (1) Total HP or greater cannot be sold, offered for sale, or installed in a residential pool for filtration use in California, Title 20 CCR sections 1601-1609.**

CALIFORNIA PROPOSITION 65 WARNING

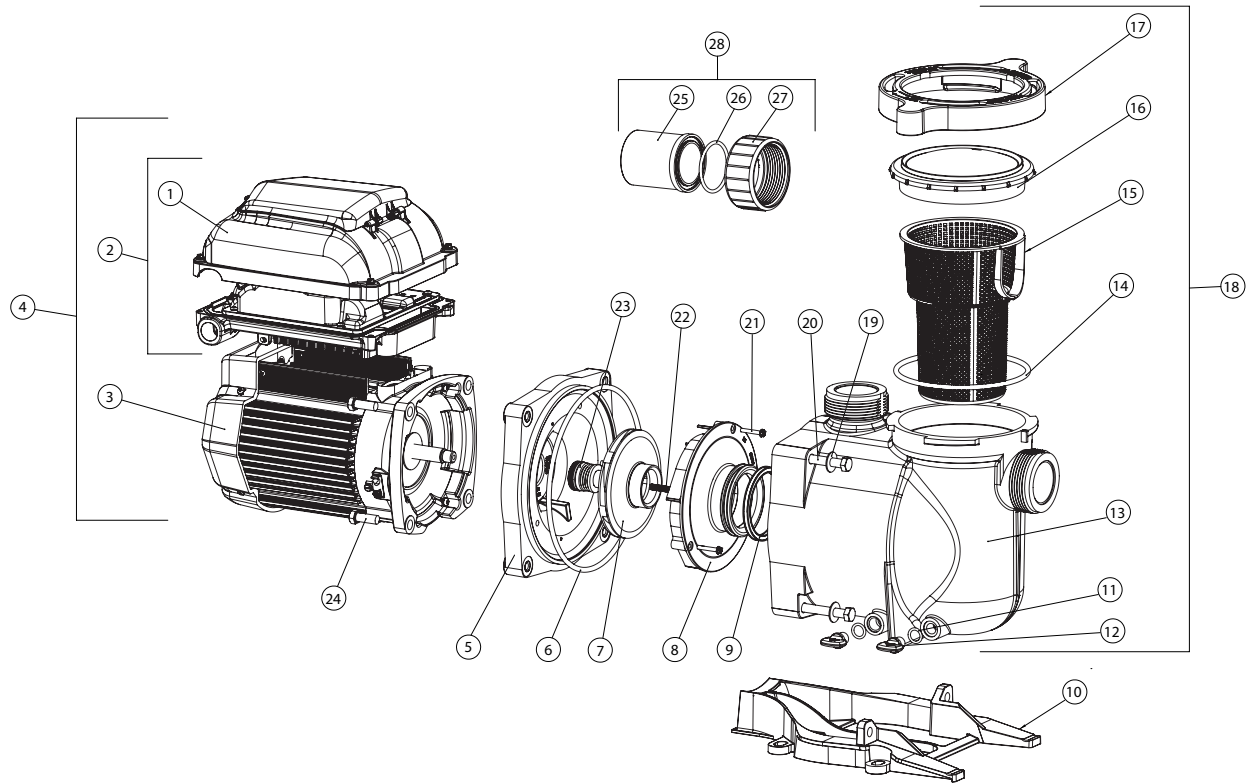
▲ **WARNING:** Cancer and Reproductive Harm.  
▲ **AVERTISSEMENT:** Peut Causer le Cancer et des Dommages au Système Reproducteur.  
▲ **ADVERTENCIA:** Cáncer y Daño Reproductivo.

[www.p65warnings.ca.gov](http://www.p65warnings.ca.gov)
P65B01RA

# SUPERFLO® VS/VST VARIABLE SPEED PUMP- AFTER OCTOBER 2020

## SUPERMAX® VS VARIABLE SPEED PUMP- AFTER OCTOBER 2020

### REPLACEMENT PARTS



# SUPERFLO® VS/VST VARIABLE SPEED PUMP- AFTER OCTOBER 2020

## SUPERMAX® VS VARIABLE SPEED PUMP- AFTER OCTOBER 2020

### REPLACEMENT PARTS

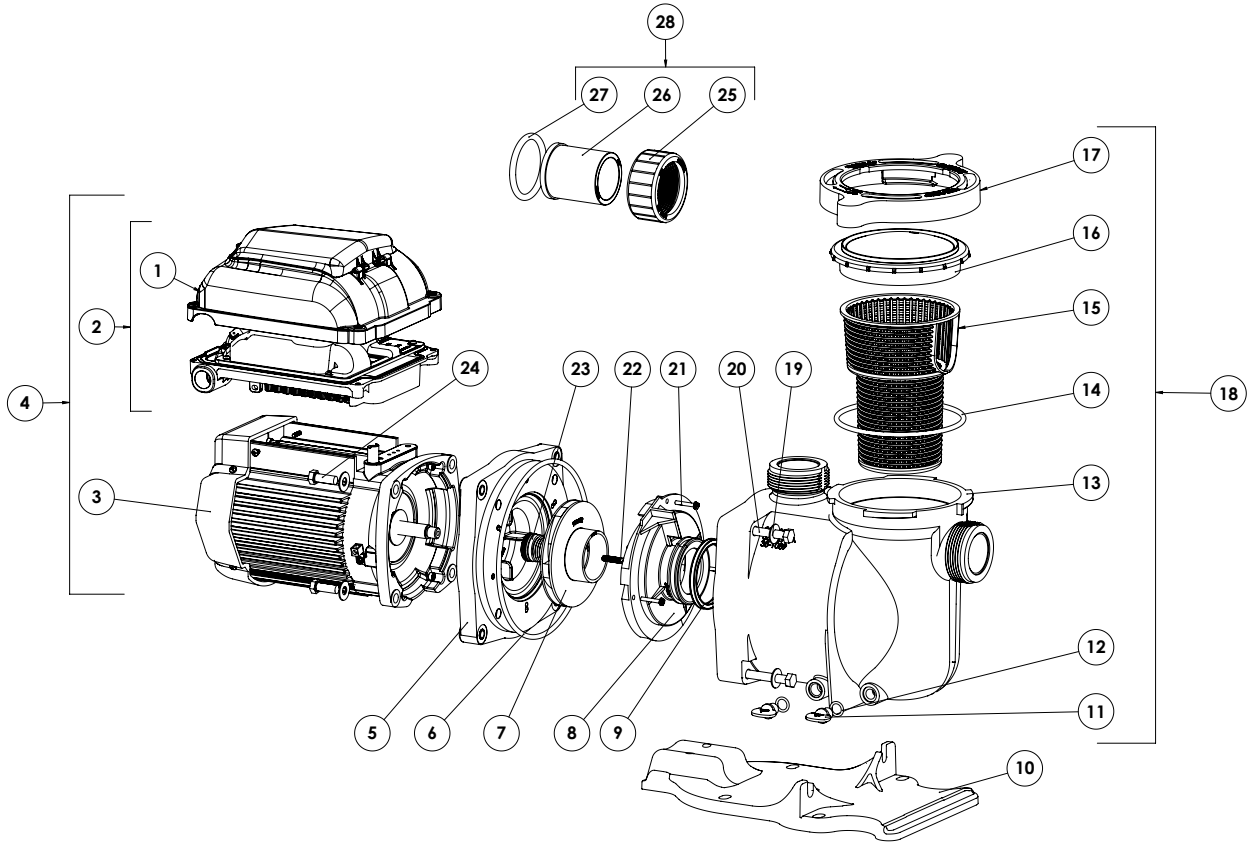
Item	Part No.	Description	US List	Can. List
<b>SUPERFLO VS/VST &amp; SUPERMAX VS VARIABLE SPEED PUMPS</b>				
1	353123	Drive Cover, Almond	445.57	535.40
1	356279	Drive Cover (RS-485), Almond	471.21	566.21
1	356280	Drive Cover (RS-485), Black	471.21	566.21
2	356282	Drive Kit, (RS-485), Almond	1288.46	1548.21
2	356283	Drive Kit, (RS-485), Black	1288.46	1548.21
3	356286S	Motor TEFC, Almond	868.79	1043.94
3	356287S	Motor TEFC, Black	868.79	1043.94
4	356288S	Motor/Drive Assembly, Almond	1940.05	2331.16
4	356289S	Motor/Drive Assembly (RS-485), Almond	2035.77	2446.18
4	356290S	Motor/Drive Assembly (RS-485), Black	2035.77	2446.18
5	356071Z	Sealplate <sup>4</sup> , Almond	130.70	157.05
5	356072Z	Sealplate, Black	130.70	157.05
6	355619Z	Sealplate Gasket	16.23	19.50
7	C105-238PDCA	Impeller	120.80	145.15
8	355949Z	Diffuser	143.98	173.01
9	355331Z	Diffuser Seal	4.72	5.67
10	350094	Base, Almond	144.37	173.47
10	351094	Base, Black	144.39	173.50
11	071131Z	Drain Plug, Almond (2 req.)	9.23	11.09
11	357161Z	Drain Plug, Black (Qty. 2)	7.57	9.10
12	192115Z	O-Ring Drain Plug (Qty. 2)	3.79	4.55
13	350089	Strainer Pot, Almond	441.25	530.21
13	351089	Strainer Pot, Black	410.42	493.16
14	357255Z	Lid O-Ring	8.28	9.95
15	355667	Strainer Basket	32.64	39.22
16	350091	Lid	48.73	58.55
17	350090	Locking Ring, Almond	60.70	72.94
17	351090	Locking Ring, Black	60.71	72.95
18	353010	Strainer Pot Assembly, Almond (Includes Items 11-17)	606.08	728.27
18	353110	Strainer Pot Assembly, Black (Includes Items 11-17)	565.64	679.67
19	072184	Washer 3/8 In. SS, (Qty. 4)	2.31	2.78
20	355621	Bolt, Hex 3/8-16 X 2 1/4, (Qty. 4)	7.49	9.00
21	355334Z	Diffuser Screw (Qty. 3)	4.72	5.67
22	355389	Impeller Screw	2.31	2.78
23	17351-0101S	Shaft Seal	39.12	47.01
24	354290	Bolt, Hex, 3/8-16 (Qty. 4)	CALL	CALL
25	350093	Union Adapter, (Qty. 2)	27.28	32.78
26	6020018	Union Adapter O-ring (Qty. 2)	0.52	0.62
27	270141	Union Nut, Black (Qty. 2)	29.22	35.11
28	351157	SuperFlo/SuperMax Union Kit (includes items 25-27) (Qty 2)	126.94	152.53
*	356324Z	RS-485 Automation Wiring Kit, 25 ft.	112.75	135.48
*	357923Z	Motor Fan Guard Kit, TEFC Super-Duty, Almond	CALL	CALL
*	357924Z	Motor Fan Guard Kit, TEFC Super-Duty, Black	CALL	CALL

\* Not Shown

# SUPERFLO® VS/VST VARIABLE SPEED PUMP- BEFORE NOVEMBER 2020

# SUPERMAX® VS VARIABLE SPEED PUMP- BEFORE NOVEMBER 2020

## REPLACEMENT PARTS





# SUPERFLO® VS/VST VARIABLE SPEED PUMP- BEFORE NOVEMBER 2020

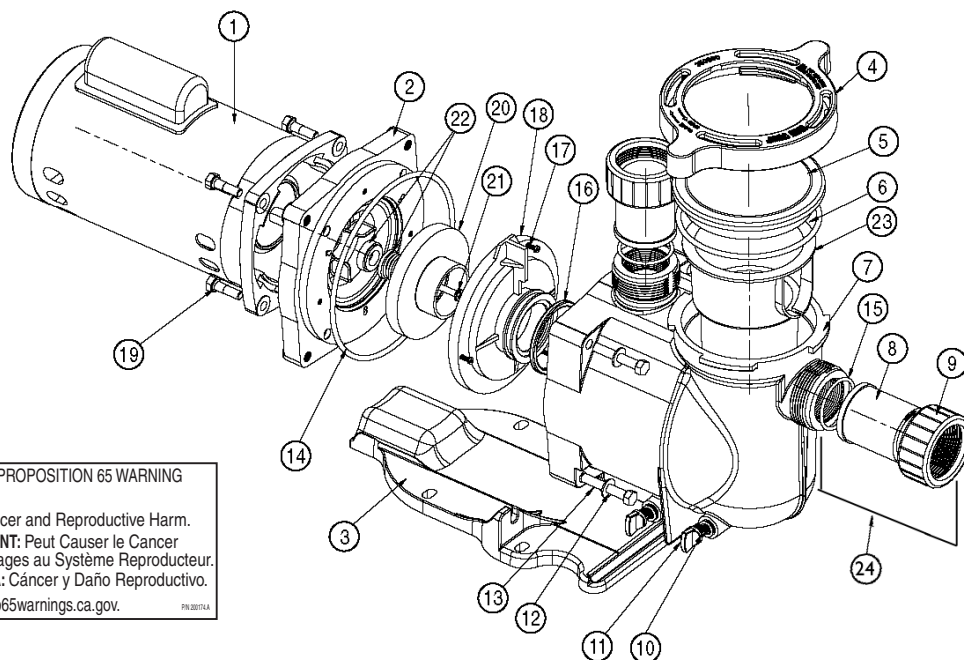
## SUPERMAX® VS VARIABLE SPEED PUMP- BEFORE NOVEMBER 2020

### REPLACEMENT PARTS

Item	Part No.	Description	US List	Can. List
<b>SUPERFLO VS/VST &amp; SUPERMAX VS VARIABLE SPEED PUMPS</b>				
1	353123	Drive Cover, Almond	445.57	535.40
1	353124	Drive Cover, Black	445.57	535.40
2	353127	Drive Kit, Almond	1225.28	1472.30
2	353128	Drive Kit, Black	1225.28	1472.30
3	353134S	Motor, Almond	824.29	990.47
3	353135S	Motor, Black	824.29	990.47
4	353132S	Motor/Drive Assembly, Almond	1938.17	2328.91
4	353133S	Motor/Drive Assembly, Black	1938.17	2328.91
5	356012	Sealplate, Almond (Mfg. Before 06/17/19)	130.71	157.06
5	355612	Sealplate, Black (Mfg. Before 06/17/19)	130.71	157.06
5	356071Z	Sealplate, Almond (Mfg. After 06/17/19)	130.70	157.05
5	356072Z	Sealplate, Black (Mfg. After 06/17/19)	130.70	157.05
6	355619Z	Sealplate Gasket	16.23	19.50
7	355074	Impeller (Mfg. Before 06/17/19)	84.24	101.22
7	C105-238PDCA	Impeller (Mfg. After 06/17/19)	120.80	145.15
8	355618	Diffuser (Mfg. Before 06/17/19)	143.99	173.02
8	355949	Diffuser (Mfg. After 06/17/19)	CALL	CALL
9	355030Z	Diffuser Seal (Mfg. Before 06/17/19)	14.07	16.91
9	355331Z	Diffuser Seal (Mfg. After 06/17/19)	4.72	5.67
10	350094	Base, Almond	144.37	173.47
10	351094	Base, Black	144.39	173.50
11	071131Z	Drain Plug, Almond (2 req.)	9.23	11.09
11	357161Z	Drain Plug, Black (2 req.)	7.57	9.10
12	192115Z	O-Ring Drain Plug (Qty. 2)	3.79	4.55
13	350089	Strainer Pot, Almond	441.25	530.21
13	351089	Strainer Pot, Black	410.42	493.16
14	357255Z	Lid O-Ring	8.28	9.95
15	355667	Strainer Basket	32.64	39.22
16	350091	Lid	48.73	58.55
17	350090	Locking Ring, Almond	60.70	72.94
17	351090	Locking Ring, Black	60.71	72.95
18	353010	Strainer Pot Assembly, Almond (Includes Items 11-17)	606.08	728.27
18	353110	Strainer Pot Assembly, Black (Includes Items 11-17)	565.64	679.67
19	072184	Washer 3/8 In. SS, (Qty. 4)	2.31	2.78
20	355621	Bolt, Hex 3/8-16 X 2 1/4, (Qty. 4)	7.49	9.00
21	355334Z	Diffuser Screw (Qty. 3)	4.72	5.67
22	355389	Impeller Screw	2.31	2.78
23	354545S	Shaft Seal (Mfg. Before 06/17/19)	42.94	51.60
23	17351-0101S	Shaft Seal (Mfg. After 06/17/19)	39.12	47.01
24	354290	Bolt, Hex, 3/8-16 (Qty. 4)	CALL	CALL
25	350093	Union Adapter, (Qty. 2)	27.28	32.78
26	6020018	Union Adapter O-ring (Qty. 2)	0.52	0.62
27	270141	Union Nut, Black (Qty. 2)	29.22	35.11
28	351157	SuperFlo/SuperMax Union Kit (includes items 25-27) (Qty 2)	126.94	152.53
*	353129Z	Digital Input Wiring Kit, 25 ft.	CALL	CALL
*	357923Z	Motor Fan Guard Kit, TEFC Super-Duty, Almond	CALL	CALL
*	357924Z	Motor Fan Guard Kit, TEFC Super-Duty, Black	CALL	CALL

\* Not Shown

# SUPERFLO® PUMP REPLACEMENT PARTS



CALIFORNIA PROPOSITION 65 WARNING  
 ⚠️ **WARNING:** Cancer and Reproductive Harm.  
 ⚠️ **AVERTISSEMENT:** Peut Causer le Cancer et des Dommages au Système Reproducteur.  
 ⚠️ **ADVERTENCIA:** Cáncer y Daño Reproductivo.  
[www.p65warnings.ca.gov](http://www.p65warnings.ca.gov) PB 202514

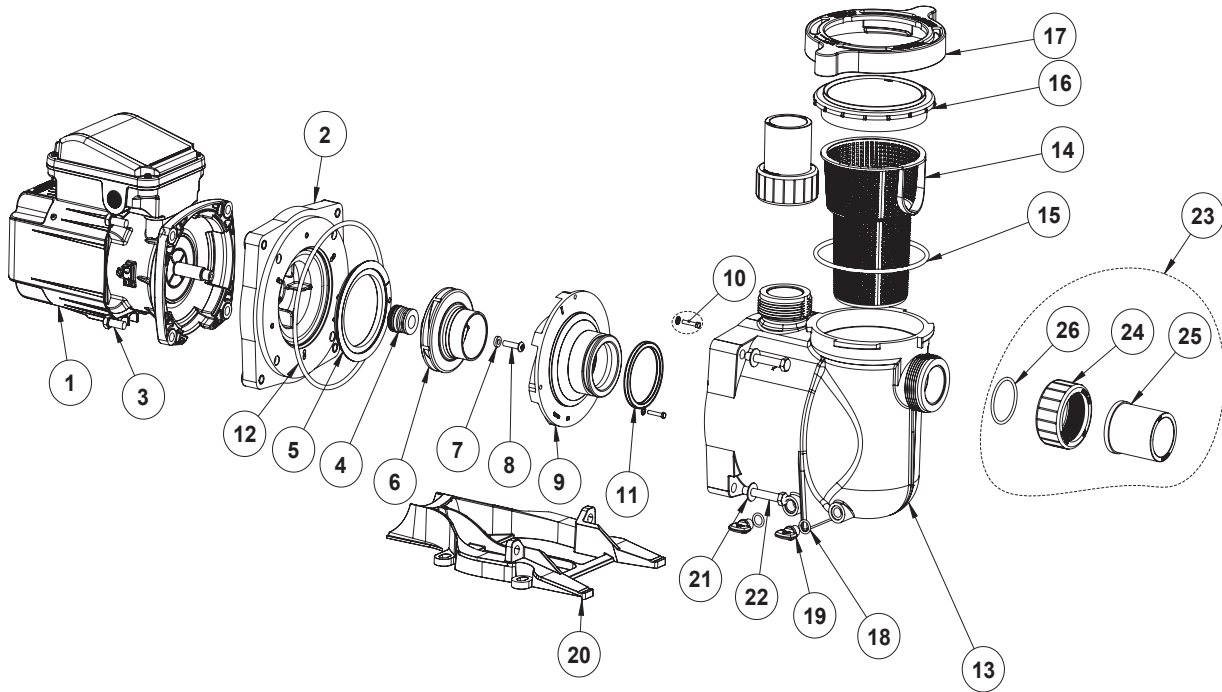
Item	Part No.	Description	US List	Can. List
<b>SINGLE SPEED SUPERFLO MOTORS</b>				
1	354803S	3/4 HP Motor, 1SP, 1PH, TEFC 115/208-230	1112.96	1337.34
1	354821S	1 HP Motor, 1SP, 1PH, TEFC 115/208-230	1208.60	1452.26
1	354823S	1-1/2 HP Motor, 1SP, 1PH, TEFC 208-230	1423.58	1710.58
1	354815S	2 HP Motor, 1SP, 1PH, TEFC 208-230	1696.14	2038.08
1	355018S	1/2 HP Motor SQFL, 1 Speed, 1 phase, 115/208-230, 60 Hz, almond	847.48	1018.34
1	355018S	3/4 HP Motor SQFL, 1 Speed, 1 phase, 115/208-230, 60 Hz, almond	847.48	1018.34
1	355020S	1 HP Motor SQFL, 1 Speed, 1 phase, 115/208-230, 60 Hz, almond	999.28	1200.74
1	355022S	1-1.2 HP Motor SQFL, 1 Speed, 1 phase, 115/208-230, 60 Hz, almond	1110.84	1334.78
1	355024S	2 HP Motor SQFL, 1 Speed, 1 phase, 6115/208-230, 60 Hz, almond	1376.30	1653.76
1	355026S	2-1/2 HP Motor SQFL, 1 Speed, 1 phase, 208-230, 60 Hz, almond	1625.64	1953.36
<b>2 SPEED SUPERFLO MOTORS</b>				
1	355003S	1 HP Motor SQFL, 2 Speed, 1 phase, 60 Hz	660.08	793.15
1	356630S	1-1/2 HP Motor SQFL, 2 Speed, 1 phase, 60 Hz	1495.04	1796.44
1	071320S	2 HP Motor SQFL, 2 Speed, 1 phase, 60 Hz	1810.14	2175.06
<b>ENERGY EFFICIENT SUPERFLO MOTORS</b>				
1	355008S	1/2 HP Motor SQFL, 1 Speed, 1 phase, 60 Hz, 115/208-230, almond	1067.42	1282.62
1	355008S	3/4 HP Motor SQFL, 1 Speed, 1 phase, 60 Hz, 115/208-230, almond	1067.42	1282.62
1	355008S	1 HP Motor SQFL, 1 Speed, 1 phase, 60 Hz, 115/208-230, almond	1067.42	1282.62
1	355010S	1.5 HP Motor SQFL, 1 Speed, 1 phase, 60 Hz, 115/208-230, almond	1159.14	1392.82
1	355012S	2 HP Motor SQFL, 1 Speed, 1 phase, 60 Hz, 208-230, almond	1365.40	1640.66
<b>SUPERFLO PUMPS</b>				
2	356012	Seal plate	130.71	157.06
3	350094	Base	144.37	173.47
4	350090	Clamp, Cam & Ramp®	60.70	72.94
5	350091	Lid	48.73	58.55
6	357255Z	O-ring, lid No. 2-357	8.28	9.95
7	350089	Volute	441.25	530.21
8	350093	Adaptor, 2 req.	27.28	32.78

Item	Part No.	Description	US List	Can. List
9	270141	Nut, 2 req.	29.22	35.11
10	192115Z	O-ring drain plug, 2 req.	3.79	4.55
11	071131Z	Drain plug, (2 req.)	9.23	11.09
12	355621	Screw, 3/4-16 x 2-1/4 Hex hd, 4 req.	7.49	9.00
13	072184	Washer, 3/8 in. SS, 4 req.	2.31	2.78
14	355619Z	O-ring, 1 req.	16.23	19.50
15	6020018	O-ring adaptor No.2-226, 2 req.	0.52	0.62
16	355030Z	Seal diffuser	14.07	16.91
17	355334Z	Screw, No.8-32 hex washer HD, 3 req.	4.72	5.67
22	354545S	Seal set	42.94	51.60
	356210S	Seal, mechanical, ozone/salt resistant	47.85	57.50
23	355667	Basket large	32.64	39.22
<b>SUPERFLO DIFFUSERS</b>				
18	355617	Diffuser, 1/2 HP	143.99	173.02
18	355617	Diffuser, 3/4 HP	143.99	173.02
18	355617	Diffuser, 1 HP	143.99	173.02
18	355618	Diffuser, 1-1/2 HP	143.99	173.02
18	355618	Diffuser, 2 HP	143.99	173.02
18	350170	Diffuser, 2-1/2 HP	141.82	170.41
19	U30-74SS	Hex head screw, 3/8, 16, 4 req.	6.56	7.88
<b>SUPERFLO IMPELLERS</b>				
20	355043	Impeller 1/2 HP	81.65	98.11
20	355043	Impeller 3/4 HP	81.65	98.11
20	355067	Impeller 1 HP	83.28	100.07
20	355074	Impeller 1-1/2 HP	84.24	101.22
20	355086	Impeller 2 HP	84.83	101.93
20	355093	Impeller 2-1/2 HP	86.38	103.79
21	355389	Screw, impeller locking	2.31	2.78
<b>KITS</b>				
24	351157	SuperFlo/SuperMax Union Kit, items 8, 9 & 15 (2 of each included)	126.94	152.53
<b>NOT SHOWN</b>				
	79129900	2-Speed Toggle Switch	73.22	87.98
	400013Z	Motor End Cap and Screw	38.98	46.84
	357923Z	Fan Guard Kit TEFC/Super-Duty	CALL	CALL
	356197	SuperFlo Quick Kit (includes 22, 14, 10(x2), 16, 6)	48.67	58.48

**Note:** Pumps and replacement motors that are single speed and one (1) Total HP or greater cannot be sold, offered for sale, or installed in a residential pool for filtration use in California, Title 20 CCR sections 1601-1609.

# SUPERFLO® DOE PUMP

## REPLACEMENT PARTS



Replacement Parts for Product #348190

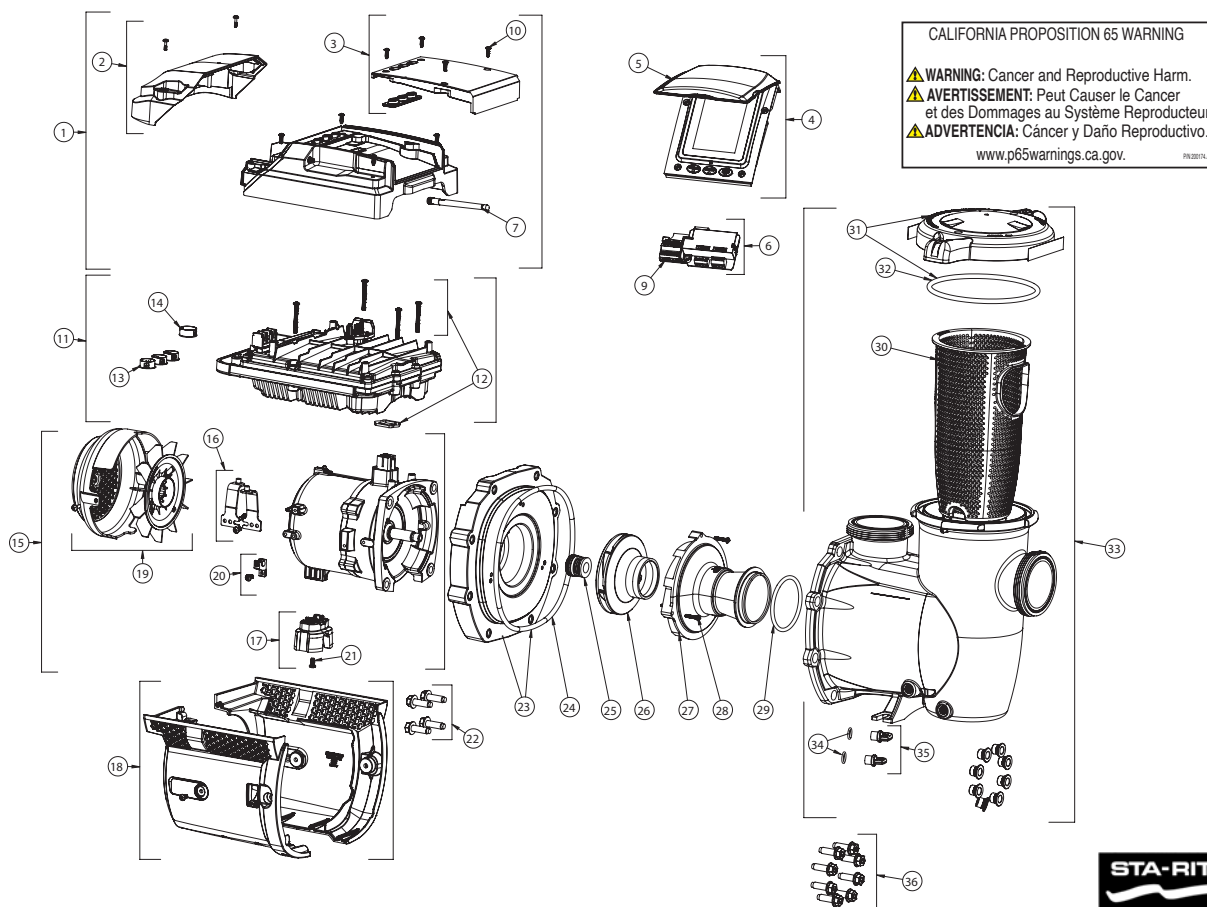
Item	Part No.	Description	US List	Can. List
<b>DOE PUMP</b>				
1	356363S	Motor	1303.42	1566.18
2	356012	Seal Plate	130.71	157.06
3	070249	Bolt, Motor (Qty. 4)	CALL	CALL
4	354545SS	Shaft Seal Set	CALL	CALL
5	356357Z	Hydraulic Isolator	35.23	42.33
6	356356Z	Impeller	88.06	105.81
7	075713	Washer, Impeller Screw	2.31	2.78
8	071652Z	Screw, Impeller	4.72	5.67
9	356358Z	Diffuser	137.38	165.08
10	356213Z	Screw, Diffuser #8-32 X 7/8" (Qty. 3)	10.55	12.68
11	355030	Diffuser Seal	CALL	CALL
12	355619	O-Ring, Seal Plate	CALL	CALL
13	350089	Strainer Pot	441.25	530.21
14	355667	Strainer Basket	32.64	39.22

Item	Part No.	Description	US List	Can. List
<b>DOE PUMP</b>				
15	357255	O-Ring, Lid	CALL	CALL
16	350091	Lid	48.73	58.55
17	350090	Locking Ring	60.70	72.94
18	192115Z	O-Ring, Drain Plug, (Qty. 2)	3.79	4.55
19	071131Z	Drain Plug (Qty. 2)	9.23	11.09
20	350094	Base	144.37	173.47
21	072184	Washer, Strainer Pot, (Qty. 4)	2.31	2.78
22	355621	Bolt, Strainer Pot(Qty. 4)	7.49	9.00
23	351157	Union Kit (Includes Items 24-26)	126.94	152.53
24	270141	Union Nut (Qty. 2)	29.22	35.11
25	350093	Union Adapter (Qty. 2)	27.28	32.78
26	6020018	Union O-Ring (Qty. 2)	0.52	0.62
-	357809	Motor Fan Guard	CALL	CALL

CALIFORNIA PROPOSITION 65 WARNING  
 ⚠️ **WARNING:** Cancer and Reproductive Harm.  
 ⚠️ **AVERTISSEMENT:** Peut Causer le Cancer et des Dommages au Système Reproducteur.  
 ⚠️ **ADVERTENCIA:** Cáncer y Daño Reproductivo.  
[www.p65warnings.ca.gov](http://www.p65warnings.ca.gov) PHL00174A

# INTELLIPRO3®

## VARIABLE SPEED AND FLOW POOL PUMP REPLACEMENT PARTS



CALIFORNIA PROPOSITION 65 WARNING  
 ⚠️ WARNING: Cancer and Reproductive Harm.  
 ⚠️ AVERTISSEMENT: Peut Causer le Cancer et des Dommages au Système Reproducteur.  
 ⚠️ ADVERTENCIA: Cáncer y Daño Reproductivo.  
 www.p65warnings.ca.gov. P422071.1



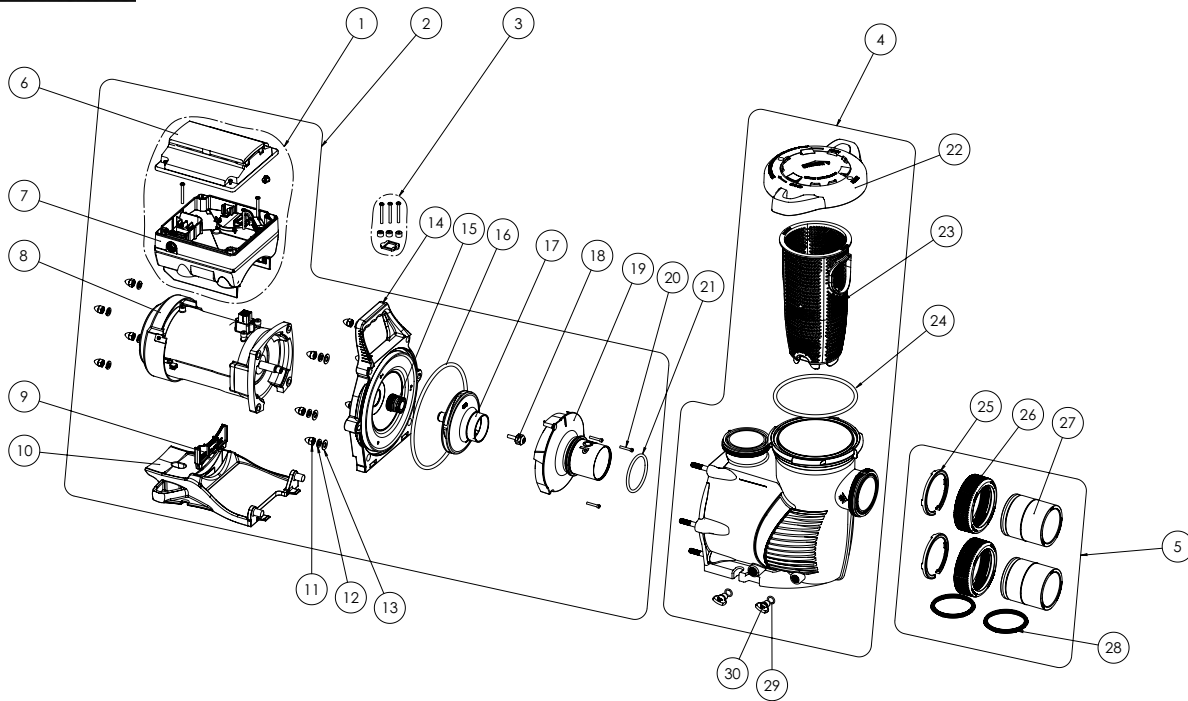
Item	Part No.	Description	US List	Can. List
<b>SYSTEM</b>				
1	356349z	Drive Cover Assembly	CALL	CALL
2	356337z	Field Wiring Compartment Kit	CALL	CALL
3	356338z	Blank Controller Kit	CALL	CALL
4	356348z	Touchscreen Controller Kit	CALL	CALL
5	356339z	Touchscreen Lid	CALL	CALL
6	356365z	Relay Control Board Kit	CALL	CALL
7	356226z	Antenna	CALL	CALL
—	8023304	4-Pin Connector, RS-485	16.17	19.43
9	8023306	6-Pin Connector, Relay Control Board	27.09	32.55
10	356215z	Controller Screw (x4)	CALL	CALL
11	356163z	Drive and Drive Hardware Kit	CALL	CALL
12	357865	Drive Hardware Kit	CALL	CALL
13	356219z	7/8" Plug, Drive (x3)	CALL	CALL
14	356320z	1" Bushing, Low Voltage, Drive	CALL	CALL
15	356165s	Motor Kit	CALL	CALL
16	356167z	Motor Bracket Kit	CALL	CALL
17	356341z	Motor Foot Kit	CALL	CALL
18	357870	Motor Shroud Kit	CALL	CALL
19	357866z	Motor Fan Kit	CALL	CALL
20	356166z	Bonding Lug	CALL	CALL

Item	Part No.	Description	US List	Can. List
21	356221z	Motor Foot Screw	CALL	CALL
22	074165z	Motor Bolts (x4)	CALL	CALL
23	356345z	Seal Plate Kit	CALL	CALL
24	356173z	Seal Plate O-ring	CALL	CALL
25	356210s	Shaft Seal	47.85	57.50
26	356177z	Impeller	CALL	CALL
27	356156z	Diffuser	CALL	CALL
28	356213z	Diffuser Screws (x3)	10.55	12.68
29	356190z	Diffuser O-ring	CALL	CALL
30	400007z	Strainer Basket	51.87	62.33
31	356368z	Lid Assembly	CALL	CALL
32	356189z	Lid O-ring	CALL	CALL
33	356347z	Strainer Pot Kit	CALL	CALL
34	192115z	Drain Plug O-ring (x2)	3.79	4.55
35	071131z	Drain Plug and O-ring (x2)	9.23	11.09
36	074164z	Seal Plate-to-Strainer Pot Bolts (x8)	CALL	CALL
<b>NOT SHOWN</b>				
—	357872	Seal Kit	CALL	CALL
—	410028	2" / 2.5" Union Kit	CALL	CALL
—	410029	3" Union Kit	CALL	CALL
—	410016z	Union O-ring - Diamond Seal	17.75	21.33
—	357833z	Riser Plate Kit - Thin (A/B Base)	CALL	CALL

# INTELLIPROXF® VSF PUMP INTELLIPROXF VS PUMP - AFTER AUGUST 2015



## REPLACEMENT PARTS



Item	Part No.	Description	US List	Can. List
<b>INTELLIPROXF/INTELLIFLOXF VS PUMP</b>				
1	352032Z	Drive Kit (VSF model)	CALL	CALL
1	356893Z	Drive Kit (VS model)	CALL	CALL
2	401655Z	Power End Kit (VS model)	3868.82	4648.77
3	355685	Drive Hardware Kit	162.18	194.88
4	401000	Wet End Assembly	471.40	566.43
5	410020	Union Kit w/o Tap	214.75	258.04
6	358527Z	Keypad Assembly Kit	512.37	615.66
7	356898Z	Drive (VSF model)	CALL	CALL
7	356892Z	Drive (VS model)	CALL	CALL
8	350306S	Motor	1355.68	1628.99
9	357160	Motor Support Insert	28.86	34.68
10	401004Z	Motor Base	57.53	69.13
11	071413	Acorn Nut (Qty. 10)	1.82	2.19
12	U43-12SS	Lock Washer (Qty. 10)	4.02	4.83
13	072184	Flat Washer (Qty. 6)	2.31	2.78
14	401002	Seal Plate	311.55	374.36
15	17351-0101S	Mechanical Seal	39.12	47.01
16	351446	Seal Plate O-Ring	9.36	11.25
17	400015Z	Impeller Assembly (includes screw and washer)	189.88	228.16
18	37337-6080	Impeller Screw, Plastic-Head (pumps mfg. before 10/7/2019)	28.87	34.69
18	356073	Impeller Screw, Metal-Head (pumps mfg. after 10/7/2019)	11.30	13.58
19	400010	Diffuser	136.34	163.83

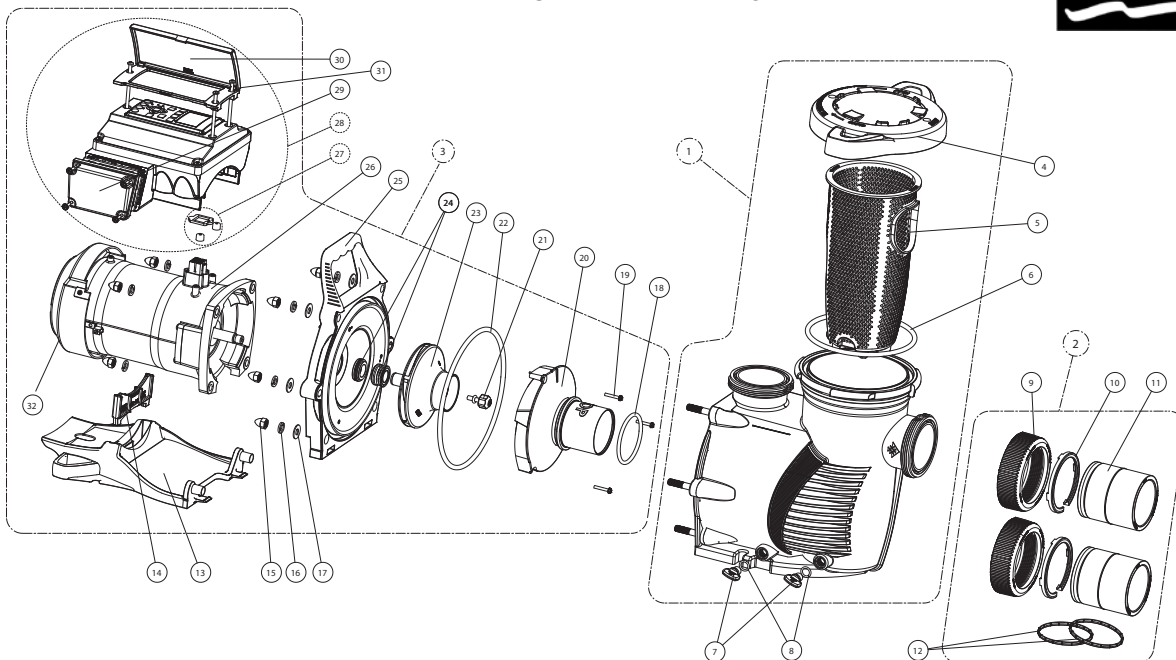
Item	Part No.	Description	US List	Can. List
20	353323	Diffuser Screws	4.91	5.90
21	350336	Diffuser O-Ring	4.91	5.90
22	401006	Lid/Locking Ring Assembly	82.95	99.67
23	400007Z	Strainer Basket	51.87	62.33
24	35505-1440	Lid/Locking Ring O-Ring	27.82	33.43
25	410001	2.5" C-Clip Locking Ring (Qty. 2)	10.51	12.63
26	411000	2.5" Union Nut (Qty. 2)	28.85	34.67
27	410002	2.5" Union Adapter w/o Tap (Qty. 2)	49.77	59.80
28	410016Z	2.5" Diamond Seal Kit (Qty. 2)	17.75	21.33
29	192115Z	Drain Plug O-Ring (Qty. 2)	3.79	4.55
30	357161Z	Drain Plug (Qty. 2)	7.57	9.10

<b>NOT SHOWN</b>				
	356905Z	Keypad Relocation Kit	111.37	133.82
	400032Z	Seal Plate w/Mech Seal	301.72	362.55
	350122	50 Ft. Communication Cable	253.81	304.98
	352501	Motor Fan Kit	260.43	312.93
	072172	Impeller Screw Washer	0.37	0.44

CALIFORNIA PROPOSITION 65 WARNING  
**⚠️ WARNING:** Cancer and Reproductive Harm.  
**⚠️ AVERTISSEMENT:** Peut Causer le Cancer et des Dommages au Système Reproducteur.  
**⚠️ ADVERTENCIA:** Cáncer y Daño Reproductivo.  
[www.p65warnings.ca.gov](http://www.p65warnings.ca.gov)

# INTELLIPROXF® VARIABLE SPEED PUMP - BEFORE AUGUST 2015

## REPLACEMENT PARTS



Item	Part No.	Description	US List	Can. List
<b>INTELLIPRO XF PUMP</b>				
1	401000	Wet End Assembly	471.40	566.43
2	410020	Union Kit Without Tap	214.75	258.04
3	401605Z	Power End Assy w/ Drive & Motor	CALL	CALL
4	401006	Lid/Locking Ring Assy	82.95	99.67
5	400007Z	XF Series Replacement Basket	51.87	62.33
6	35505-1440	Lid/Locking Ring O-Ring	27.82	33.43
7	357161Z	Drain Plug (2 req.)	7.57	9.10
8	192115Z	Drain Plug O-ring (2 req.)	3.79	4.55
9	411000	2.5 in. Union Nut	28.85	34.67
10	410001	2.5 in. C-Clip Locking Ring	10.51	12.63
11	410002	2.5 in. Union Adapter	49.77	59.80
12	410016Z	2.5 in. Diamond Seal Kit - (Includes two)	17.75	21.33
13	401004Z	Motor Base	57.53	69.13
14	357160	Motor Support Insert- Black	28.86	34.68
15	071413	Acorn Nut (each)	1.82	2.19
16	U43-12SS	Split Lock Washer (each)	4.02	4.83
17	072184	Flat Washer (each)	2.31	2.78
18	350336	Diffuser O-ring	4.91	5.90
19	353323	Diffuser Screw	4.91	5.90
20	400010	Diffuser	136.34	163.83
21	37337-6080	Impeller, Plastic-Head (pumps mfg. before 10/07/19)	28.87	34.69
	356073	Impeller Screw, Metal-Head (pumps mfg. after 10/7/2019)	11.30	13.58

Item	Part No.	Description	US List	Can. List
22	351446	Seal Plate O-Ring	9.36	11.25
23	400015Z	Impeller Assembly (includes screw and washer)	189.88	228.16
24	17351-0101S	Mechanical Seal Assembly	39.12	47.01
25	401002	Seal Plate	311.55	374.36
26	357294S	Motor Kit	1588.21	1908.39
27	350612	Drive Hardware and Gasket Kit (Incl. item # 31)	162.18	194.88
28	353252	Variable Speed Drive Assy Kit	CALL	CALL
29	353310	Field Wiring Comp Kit w/ Gasket	144.04	173.08
30	350701	Control Cover Assy Kit (incl. item #27) <sup>1</sup>	324.91	390.41
30	401100	Control Cover Assy Kit (incl. item #27) <sup>2</sup>	324.91	390.41
31	350107	Screw 10-24 x 3-1/4 in. PH MS 18-8SS (Qty. 3)	6.28	7.55
32	352501	Motor Fan Kit (contains Fan, Shroud, Hardware)	260.43	312.93
<b>NOT SHOWN</b>				
	400032Z	Seal Plate Kit w/ Mech Seal	301.72	362.55
	400012	Riser Plate XF to Challenger	99.53	119.60
	350122	50 Ft. Communication Cable	253.81	304.98
	072172	Impeller Screw Washer	0.37	0.44

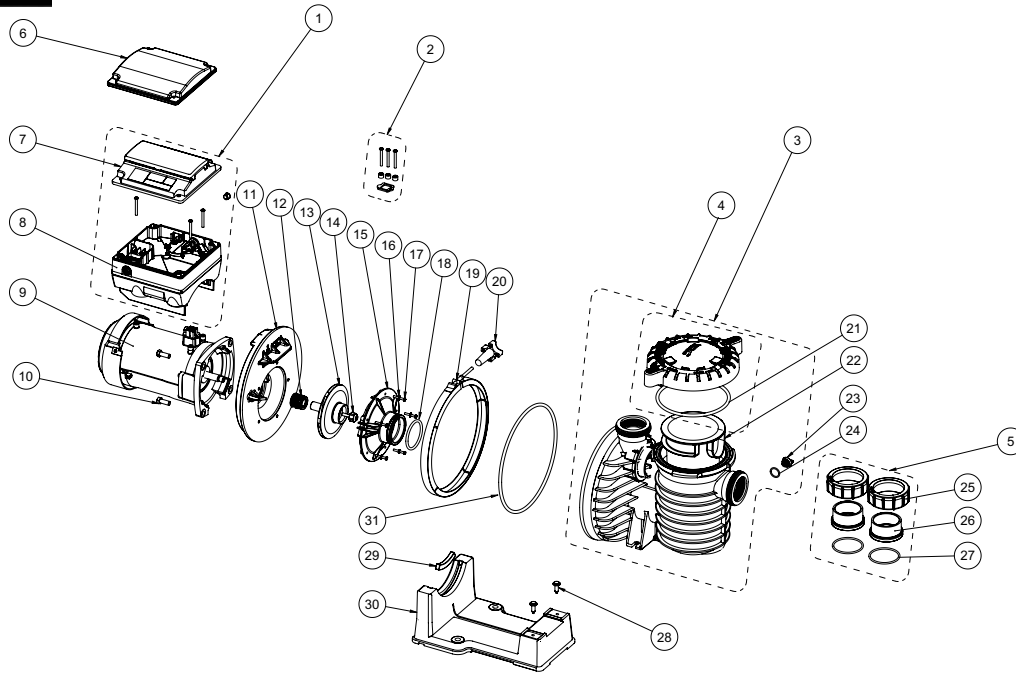
<sup>1</sup> Used on pumps manufactured before 7/2/13  
<sup>2</sup> Used on pumps manufactured after 7/2/13 to present

CALIFORNIA PROPOSITION 65 WARNING  
**⚠ WARNING:** Cancer and Reproductive Harm.  
**⚠ AVERTISSEMENT:** Peut Causer le Cancer et des Dommages au Système Reproducteur.  
**⚠ ADVERTENCIA:** Cáncer y Daño Reproductivo.  
[www.p65warnings.ca.gov](http://www.p65warnings.ca.gov)

# INTELLIPRO® VSF PUMP/INTELLIPRO 2 VST PUMP INTELLIPRO VS PUMP - AFTER 2018



## REPLACEMENT PARTS



Item	Part No.	Description	US List	Can. List
<b>INTELLIPRO PUMP</b>				
1	353141Z	Drive Kit w/Keypad (Includes Item #2, 7 and 8) (VSF model)	CALL	CALL
1	356893Z	Drive Kit w/Keypad (Includes Item #2, 7 and 8) (2VST and VS models)	CALL	CALL
2	355685	Drive Kit Hardware Kit (Includes Drive Screws, Drive Gasket and Screw Caps)	162.18	194.88
3	17307-0110S	Tank Body Assembly (Includes Trap Cover and Items #21-24)	465.36	559.18
4	17307-0111S	Trap Cover Assembly (Includes Trap Cover and Item #21)	105.24	126.46
5	42001-0402	2" Slip Union Half Kit (Includes Items #25-27)	58.82	70.68
6	356905Z	Keypad Relocation Kit (Includes Keypad Relocation Cable and Blank Drive Cover)	111.37	133.82
7	358527Z	Keypad Assembly Kit	512.37	615.66
8	356657Z	Drive (VSF model)	CALL	CALL
8	356892Z	Drive (2VST and VS models)	CALL	CALL
9	350306S	Motor 3.2 KW Ferrite Blk	1355.68	1628.99
10	070429Z	Bolt, 3/8-16 X 7/8 SS Hex Head 18-8, 4 req.	4.72	5.67
11	C103-194P	Seal Plate	106.67	128.17
12	17351-0101S	Shaft Seal, EPDM black	39.12	47.01
13	C105-238PLA	Impeller Assembly	125.56	150.87
14	37337-6080	Impeller Screw	28.87	34.69
15	C1-271P	Diffuser	46.20	55.51
16	U43-21SS	#8 Ext Tooth Washer (Qty. 5)	2.57	3.09
17	U30-922SS	Diffuser Screw	1.60	1.92

Item	Part No.	Description	US List	Can. List
18	U9-374Z	Diffuser O-Ring	8.13	9.77
18	357098Z	Diffuser O-Ring (Blue Coating)	8.63	10.37
19	C19-37A	V-Clamp	156.22	187.71
20	WC36-22	Clamp, Knob	19.01	22.84
21	35505-1440	Trap O-Ring, 6.90 O.D. 6.35 I.D.	27.82	33.43
22	C8-58PZ	Trap Basket	20.65	24.81
23	U78-920P	Drain Plug (Qty. 2)	3.00	3.60
24	U9-359	Drain Plug O-Ring (Qty. 2)	1.14	1.37
25	U11-200PSZ	Union Collar (Qty. 2)	16.28	19.56
26	U11-196PSZ	2" Slip Adapter (Qty. 2)	13.46	16.17
27	U9-362	O-Ring #2-231 (Qty. 2)	7.45	8.95
28	U30-918SS	Base Screw, 5/16-14 x 1 in. Lg. Hi-Lo Hex (Qty2)	7.39	8.88
29	C35-11	Motor Pad	4.82	5.79
30	C4-78P	Motor Base	67.99	81.70
31	U9-228AZ	Seal Plate O-Ring (Round)	14.64	17.59
31	357099Z	Seal Plate O-Ring (Square)	15.36	18.46
<b>NOT SHOWN</b>				
	350122	50 Ft. Communication Cable	253.81	304.98
	354045	Power End - IntelliPro 2 VST and VS	3582.99	4305.32
	352501	Motor Fan Kit	260.43	312.93
	356196	Max-E-Pro / IntelliPro Quick Kit (contains 31, 12, 18, 21, 24(x2))	45.09	54.18

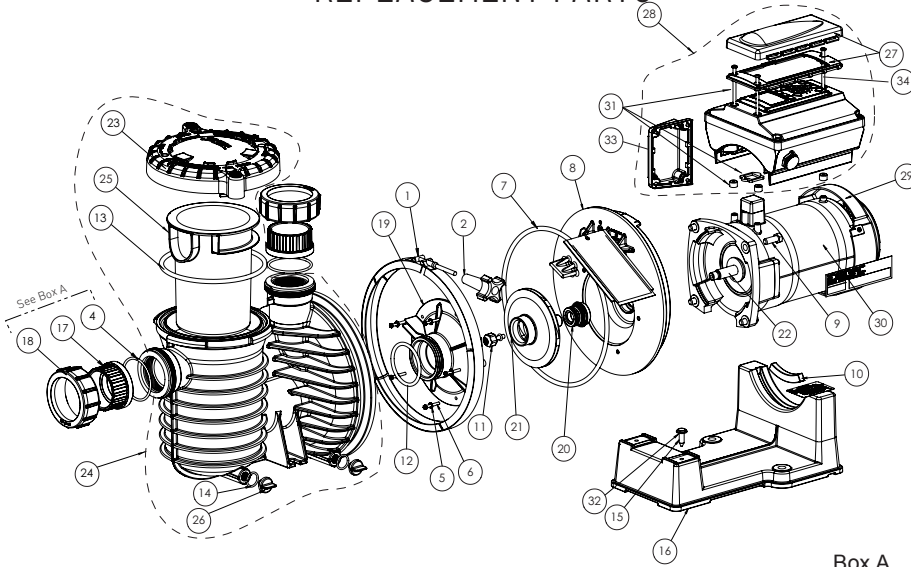
CALIFORNIA PROPOSITION 65 WARNING

⚠ **WARNING:** Cancer and Reproductive Harm.  
 ⚠ **AVERTISSEMENT:** Peut Causer le Cancer et des Dommages au Système Reproducteur.  
 ⚠ **ADVERTENCIA:** Cáncer y Daño Reproductivo.

www.p65warnings.ca.gov. PH202174

# INTELLIPRO® VARIABLE SPEED PUMP-BEFORE 2019

## REPLACEMENT PARTS



**CALIFORNIA PROPOSITION 65 WARNING**

⚠ **WARNING:** Cancer and Reproductive Harm.  
 ⚠ **AVERTISSEMENT:** Peut Causer le Cancer et des Dommages au Système Reproducteur.  
 ⚠ **ADVERTENCIA:** Cáncer y Daño Reproductivo.  
[www.p65warnings.ca.gov](http://www.p65warnings.ca.gov)

**Box A**

For quick disconnect pipe connections, purchase separately:

PKG 188 2 in. Slip 1/2 Union Kit or  
 Pkg. 189 2 in. NPT 1/2 Union Kit.

Includes 2 each:  
 U11-200P Union Collar  
 U9-362 O-Ring  
 U11-196P 2 in. Slip adapter or U11-199P 2 in. NPT adapter.

Item	Part No.	Description	US List	Can. List
<b>INTELLIPRO VARIABLE SPEED PUMP</b>				
1	C19-37A	V-Clamp	156.22	187.71
2	WC36-22	Clamp, Knob	19.01	22.84
3	350122	Cable 50ft 2 COND, IntelliFlo to IntelliTouch (Not Shown).	253.81	304.98
4	U9-362	Orng #2- 231 buna N 70 DU	CALL	CALL
5	U43-21SS	#8 Ext Tooth Wshr, 5 req.	CALL	CALL
6	U30-922SS	Mach SCR HX HD 8- 32, 5 req.	CALL	CALL
7	U9-228AZ	Seal Plate O-Ring, (Round) 1 req.	14.64	17.59
7	357099Z	Seal Plate O-Ring, (Square) 1 req.	15.36	18.46
8	C103-194P	Sealplate.	CALL	CALL
9	U30-74SS	3/8-16 x 1 in. HX HD SS	CALL	CALL
10	C35-11	Motor Pad	CALL	CALL
11	37337-6080	Impeller Screw	CALL	CALL
12	U9-374Z	Diffuser O-Ring	8.13	9.77
12	357098Z	Diffuser O-Ring (Blue Coating)	8.63	10.37
13	35505-1440	O-Ring 6.90 O. D 6.35 I. D	27.82	33.43
14	U9-359	ORNG #2 - 112 N674- 70 Drain Plug	CALL	CALL
15	U30-918SS	SCR 5/16-14 x 1 in. LG HI-LO Hex	7.39	8.88
16	C4-78P	Base	67.99	81.70
17	U11-196PSZ	Adaptor Union 2 in. Slip	13.46	16.17
18	U11-200PSZ	Collar Union 2 in.	16.28	19.56
19	C1-271P	Diffuser	46.20	55.51
20	17351-0101S <sup>3</sup>	Shaft Seal, EPDM black	39.12	47.01
21	C105-238PLA	Imp. Assy. 3 Phase	125.56	150.87
22	17351-0009	Slinger. Pump Shaft 1/16 in.	2.83	3.40

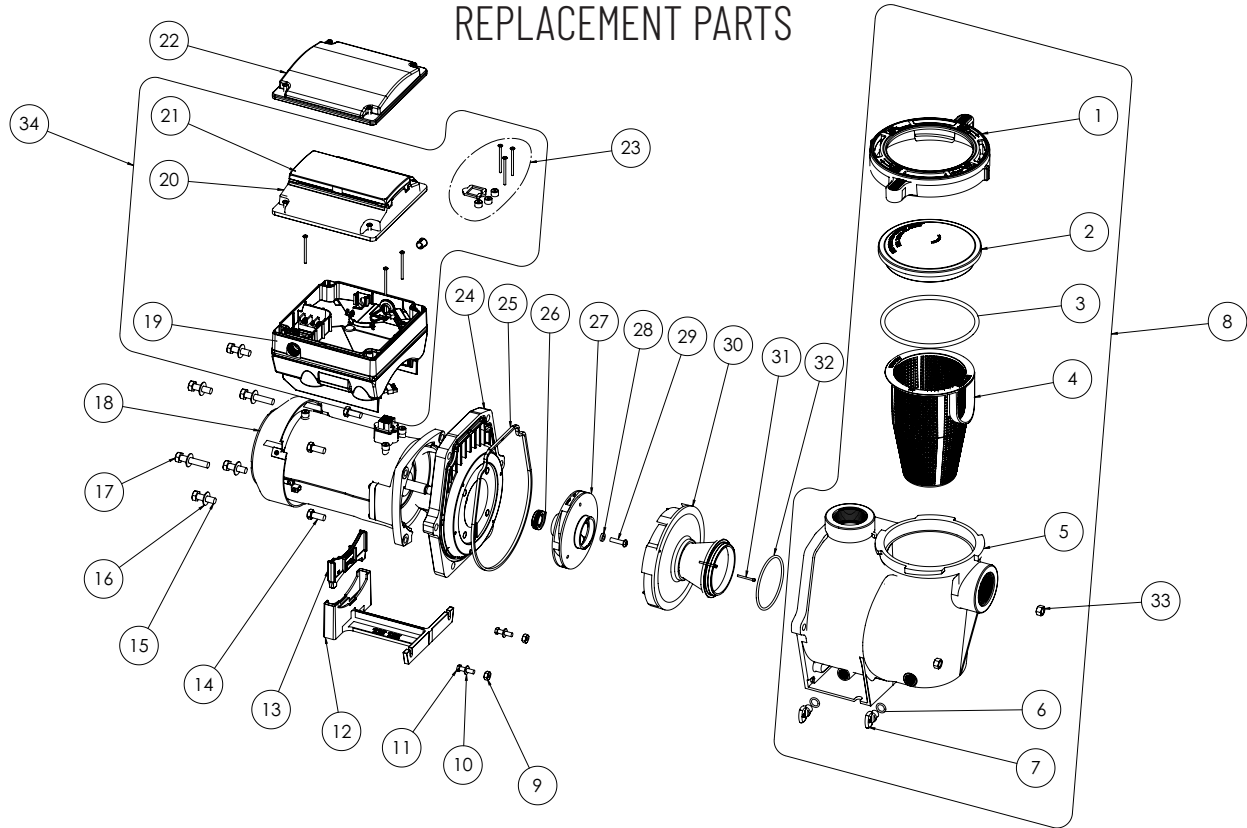
Item	Part No.	Description	US List	Can. List
23	17307-0111S	Trap Cover Assy. (Contains: Trap Cover, Trap Ring and Cover O- Ring)	105.24	126.46
24	17307-0110S	Tank Body Assy. Max- E- Pro Pump SVC 18 (Trap Body, Basket, Drain Plugs and Trap Cover Assy.)	465.36	559.18
25	C8-58PZ	Trap Basket	20.65	24.81
26	U78-920P	Drain Plug	3.00	3.60
27	350701	Cover Control Assy. Kit, Black (Contains: Cover Assy., Hardware/ Gasket Kit, Inst.) <sup>1</sup>	324.91	390.41
27	401100	Cover Control Assy. Kit, Black (Contains: Cover Assy., 3 Screws, and 3 Spacer Caps) <sup>2</sup>	324.91	390.41
28	353252	IntelliPro Variable Speed Drive Kit - Includes Drive and Control Cover Assy., Lid, Hardware/Gasket Kit	CALL	CALL
29	352501	Fan Motor Kit (Contains: Fan Shroud, Fan, Hardware)	260.43	312.93
30	357294S	Motor VFD 3.2KW PMSW, Black	1588.21	1908.39
31	350612	Hardware/Gasket Kit (Contains: 3 Screws, 3 Spacer Caps, and Drive Gasket)	162.18	194.88
32	U43-41SSZ	Washer 5/16 in.	3.82	4.59
33	353310	Field Wiring Compartment Kit w/ gasket	144.04	173.08
34	350107	Screw 10-24 x 3-1/4 in PH MS 18-8 SS (qty 3)	6.28	7.55
<b>NOT SHOWN</b>				
070209		Power end IntelliPro Variable Speed (Contains items 5, 6, 7, 8, 11, 19, 20, 28 & 30)	CALL	CALL
356196		Max-E-Pro/IntelliPro Quick Kit (contains 20,7, 21, 12, 13, 14(x2))	45.09	54.18

<sup>1</sup> Used on pumps manufactured before 7/3/13  
<sup>2</sup> Used on pumps manufactured 7/3/13 and after  
<sup>3</sup> Used on pumps manufactured 7/15/14 to present



# INTELLIPRO® VS+SVRS PUMP - AFTER JUNE 2016

## REPLACEMENT PARTS



Item	Part No.	Description	US List	Can. List
<b>INTELLIPRO VS+SVRS PUMP</b>				
1	357150	Clamp, Cam and Ramp	71.54	85.96
2	357151	See-through Lid	53.86	64.72
3	350013Z	Lid O-Ring	5.66	6.80
4	070387Z	Strainer Basket	25.10	30.16
5	357157	Volute WF	342.46	411.50
6	192115Z	O-Ring 112 for Drain Plug (Qty 2)	3.79	4.55
7	357161Z	Drain Plug WF (Qty 2)	7.57	9.10
8	357244	Volute Kit (Contains items #1-7)	716.59	861.05
9	071406	Nut 1/4-20 Hex SS (Qty 2)	2.31	2.78
10	072183	Washer, Flat 1/4" ID x 5/8" OD (Qty 2)	2.31	2.78
11	071657Z	Screw 1/4-20 x 1" Hex Cap SS, 2 req.	4.72	5.67
12	357159	Foot WF	57.53	69.13
13	357160	Foot Insert WFE Pump Motor Support	28.86	34.68
14	070429Z	Bolt, 3/8-16 X 7/8 SS Hex Head 18-8, 4 req.	4.72	5.67
15	072184	Washer, Flat 3/8" ID x 7/8 OD (Qty 6)	2.31	2.78
16	070430	Bolt, Hex Head 3/8-16 x 1.25" (Qty 4)	3.76	4.52
17	070431	Bolt, Hex Head 3/8-16 x 2" (Qty 2)	4.13	4.96
18	350306S	Motor, 3.2 kW 10 Pole	1355.68	1628.99
19	356912Z	Drive, Variable Speed	CALL	CALL
20	358527Z	Keypad Assembly Kit (Contains item #21)	512.37	615.66
21	401100	Keypad Cover	324.91	390.41
22	356905Z	Keypad Relocation Kit (Contains Keypad Relocation cable and Blank Drive Cover)	111.37	133.82
23	355685	Drive Hardware Kit (Contains Drive Screws, Drive Gasket and Screw Caps)	162.18	194.88

Item	Part No.	Description	US List	Can. List
24	357158	Seal Plate	140.43	168.74
25	357100Z	Seal Plate Gasket	9.68	11.63
26	071734S	Mechanical Seal	45.47	54.64
26	071732S	Mechanical Seal (ozone/salt resistant)	38.09	45.77
27	073131	Impeller (pumps mfg. before 10/2020)	149.77	179.96
27	356237	Impeller (pumps mfg. after 10/2020)	CALL	CALL
28	075713	Rubber Washer, Impeller Set Screw	2.31	2.78
29	071652Z	Impeller Set Screw 1/4-20 LH Thread	4.72	5.67
30	072928	Diffuser (pumps mfg. before 10/2020)	136.34	163.83
30	356238	Diffuser (pumps mfg. after 10/2020)	CALL	CALL
31	071660Z	Diffuser Set Screw 4-40 x 1-1/8, 2 req.	4.89	5.88
32	355227Z	Diffuser O-Ring	4.89	5.88
33	071403	Nut 3/8" Brass, Nickel Plated (Qty 2)	2.31	2.78
34	356913Z	Drive Kit (Incl. Items #19-23)	CALL	CALL

### NOT SHOWN

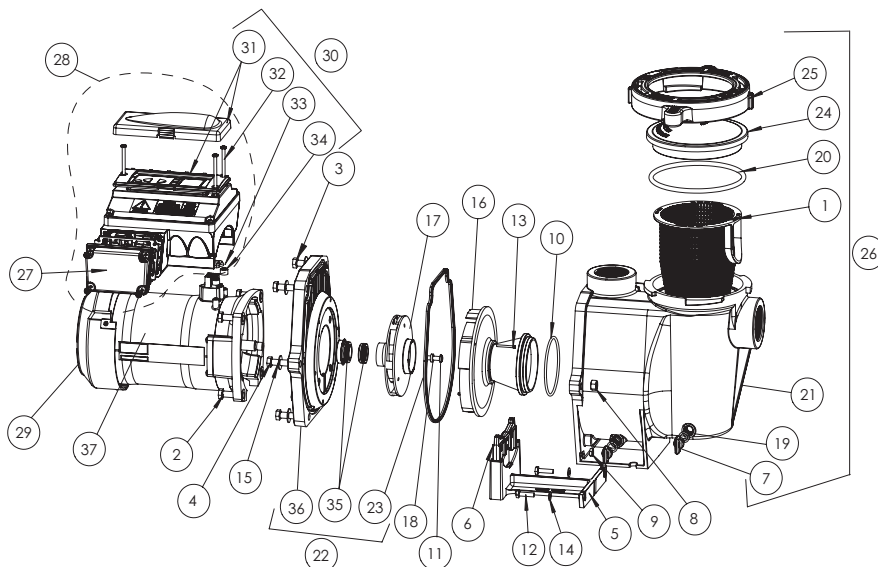
350122	50 Ft. Communication Cable	253.81	304.98
350203	Seal Plate Kit w/Mechanical Seal (Incl. Items #24, 25 and 26)	302.15	363.06
357603	Union Kit (Incl. 2 complete unions for 1 pump - Not included with pump)	167.57	201.35
356196	Max-E-Pro / IntelliPro Quick Kit (contains 25, 28, 32, 3, 26, 6(x2))	45.09	54.18
350198	Seal Plate Kit (Ozone/Salt resistant)	295.09	354.58
352501	Motor Fan Kit	260.43	312.93
356198	WhisperFlo/IntelliFlo Quick Kit (includes 26, 32, 25, 6(x2), 3 and 28)	50.17	60.28

### CALIFORNIA PROPOSITION 65 WARNING

**⚠ WARNING:** Cancer and Reproductive Harm.  
**⚠ AVERTISSEMENT:** Peut Causer le Cancer et des Dommages au Système Reproducteur.  
**⚠ ADVERTENCIA:** Cáncer y Daño Reproductivo.  
[www.p65warnings.ca.gov](http://www.p65warnings.ca.gov)

# INTELLIPRO® VS+SVRS PUMP - BEFORE JUNE 2016

## REPLACEMENT PARTS



Item	Part No.	Description	US List	Can. List
<b>INTELLIPRO VS+SVRS PUMP</b>				
1	070387Z	Basket WF	25.10	30.16
2	070429Z	Bolt, 3/8-16 X 7/8 SS Hex Head 18-8, 4 req.	4.72	5.67
3	070430	Bolt, 3/8-16 x 1-1/4 hex cap 18-8 S/S, 4 req.	3.76	4.52
4	070431	Bolt, 3/8-16 x 2 hex cap 18-8 S/S, 2 req.	4.13	4.96
5	357159	Foot WF, pump motor support, black	57.53	69.13
6	357160	Foot insert WF pump, black	28.86	34.68
7	357161Z	Plug drain WFE, black, 2 req.	7.57	9.10
8	071403	Nut, 3/8-16 brass nickel plated, 2 req.	2.31	2.78
9	071406	Nut, 1/4-20 hex S/S, 2 req.	2.31	2.78
10	355227Z	O-ring #238, 3.484 x .139, buna N 70	4.89	5.88
11	071652Z	Screw, 1/4, 20 x 1 LH phillips pan MS 18-8 S/S, 1 req.	4.72	5.67
12	071657Z	Screw, 1/4-20 x 1 in. hex cap 18-8 S/S, 2 req.	4.72	5.67
13	071660Z	Screw set, 4-40 x 5/8 WFE sckt cap 18-8 S/S, 2 req.	4.89	5.88
14	072183	Washer, flat 1/4 x 5/8 20GA thick 18-8 S/S, 2 req.	2.31	2.78
15	072184	Washer, 3/8 ID x 7/8 OD .05 thick 18-8 S/S, 6 req.	2.31	2.78
16	072928	Diffuser assembly, black	136.34	163.83
17	073131	Impeller, IntelliPro VS+SVRS	149.77	179.96
18	075713	Rubber washer, WFE pump, 1 req.	2.31	2.78
19	192115Z	O-ring 112, .487 x .103 buna -N 70, 2 req.	3.79	4.55
20	350013Z	O-ring lid CH/WF 2-436, 1 req.	5.66	6.80
21	357157	Housing WFE, black	342.46	411.50
22	350203	Seal plate kit, black w/ gasket (Items 23, 35, 36)	302.15	363.06
23	357100Z	Black Gasket for Seal plate	9.68	11.63
24	357151	Lid, see thru WF.	53.86	64.72
24	357156	Lid, Chemical Resistant	101.61	122.09
25	357150	Clamp cam & ramp WF, black	71.54	85.96

Item	Part No.	Description	US List	Can. List
26	357244	Pot WF assy., black (contains 1, 7 (qty. 2), 19 (qty. 2), 20, 21, 24, 25)	716.59	861.05
27	350310	Junction Box Cover - Black	30.45	36.59
28	353250	IntelliPro VS+SVRS Drive Kit - Contains Drive and Control Cover Assy.	CALL	CALL
29	352501	Motor fan kit, black (contains fan, shroud, hardware).	260.43	312.93
30	350701	Drive Control Cover assembly kit, black (contains drive lid, screws, spacer caps, items 31, 32 (qty. 3), 33, 34 (qty. 3) 1	324.91	390.41
30	401100	Drive Control Cover assembly kit, black (contains drive lid, screws, spacer caps, items 31, 32 (qty. 3), 33, 34 (qty. 3) 2	324.91	390.41
31	401101	Control cover assembly (not sold individually - order assy kit item 30)	CALL	CALL
32	350107	Screw 10-24 x 3/4 in. PH MS 18-8 s/s (qty. 3)	6.28	7.55
33	350108	IntelliPro drive gasket	13.05	15.68
34	350142	Spacer cap (qty. 3)	45.61	54.80
35	071734S	Seal Kit	45.47	54.64
36	357158	Seal Plate - black	140.43	168.74
37	357294S	Motor VFD 3.2KW PMSM replacement, black	1588.21	1908.39
<b>NOT SHOWN</b>				
	350122	50 ft. Communication Cable	253.81	304.98
	347910	Black Volute/Seal plate Replacement Kit (Items 1, 7 (qty. 2), 19 (Qty 2), 20, 21, 22, 23, 24, 25)	CALL	CALL
	350612	Hardware/gasket assy. kit (contains 3 screws, 3 spacer caps and drive gasket)	162.18	194.88
	357603	Union Kit (contains 2 complete unions for one pump, not included with pump).	167.57	201.35
	350101	Seal plate kit without gasket (Items 35 and 36)	CALL	CALL
	350198	Seal Plate Kit (ozone/salt resistant)	295.09	354.58

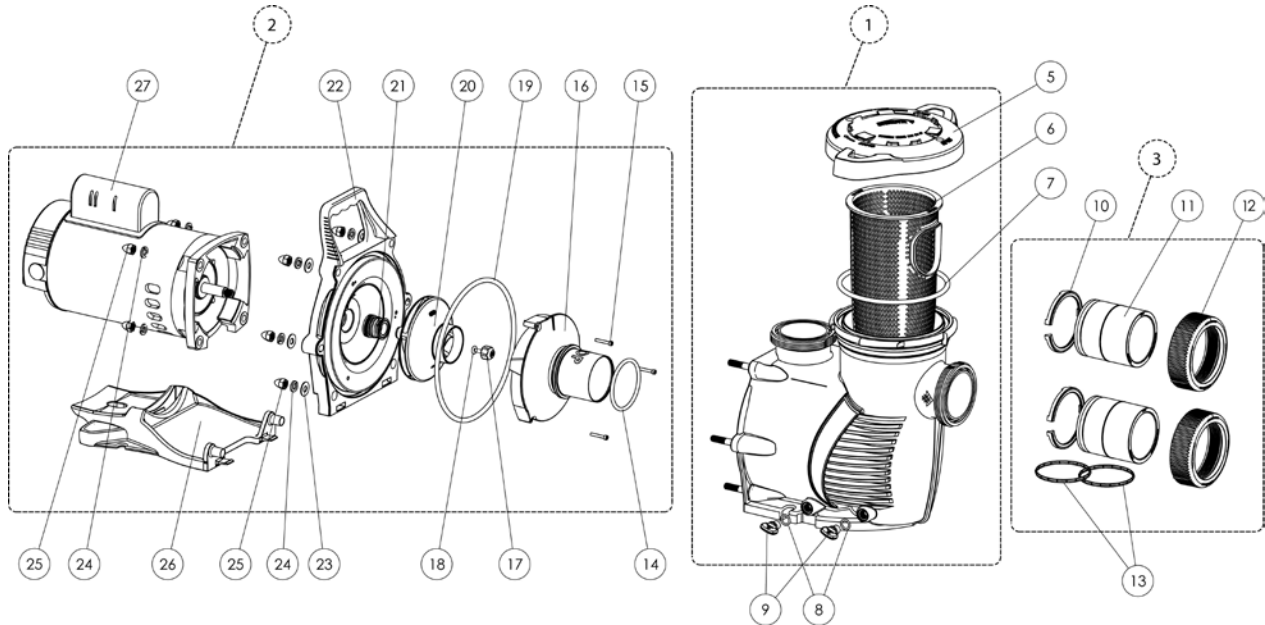
<sup>1</sup> Used on pumps manufactured before 3/20/2013

<sup>2</sup> Used on pumps manufactured after 3/20/2013

<sup>3</sup> Contact factory for IntelliPro VS+SVRS

# MAX-E-PROXF® SERIES PUMP

## REPLACEMENT PARTS



Item	Part No.	Description	US List	Can. List
<b>MAX-E-PRO XF PUMP</b>				
1	401000	Wet End Assembly	471.40	566.43
2	See chart on next page	Power End Assembly		
3	410020	Union Kit Without Tap	214.75	258.04
5	401006	Lid/Locking Ring Assembly	82.95	99.67
6	400007Z	XF Series Replacement Basket	51.87	62.33
7	35505-1440	Lid/Locking Ring O-Ring	27.82	33.43
8	192115Z	Drain Plug O-Ring	3.79	4.55
9	357161Z	Drain Plug	7.57	9.10
10	410001	2.5 in. C-Clip Locking Ring	10.51	12.63
11	410002	2.5 in. Union Adapter without Tap	49.77	59.80
12	411000	2.5 in. Union Nut	28.85	34.67
13	410016Z	2.5 in. Seal Kit - (Includes two)	17.75	21.33
14	350336	Diffuser O-Ring	4.91	5.90
15	353323	Diffuser Screw	4.91	5.90
16	See chart on next page	Diffuser		
17	37337-6080	Impeller Screw, Plastic-Head (pumps mfg. before 10/7/2019)	28.87	34.69
17	356073	Impeller Screw, Metal-Head (pumps mfg. after 10/7/2019)	11.30	13.58
18	33455-1047	Impeller Reverse Screw O-Ring	CALL	CALL

Item	Part No.	Description	US List	Can. List
19	351446	Seal Plate O-Ring	9.36	11.25
20	See chart on next page	Impeller Assembly		
21	17351-0101S	Mechanical Seal Assembly	39.12	47.01
22	401002	Seal Plate	311.55	374.36
23	072184	Flat Washer	2.31	2.78
24	U43-12SS	Split Lock Washer	4.02	4.83
25	071413	Acorn Nut	1.82	2.19
26	401004Z	Motor Base	57.53	69.13
27	See chart on next page	Motor		
<b>NOT SHOWN</b>				
	400030Z	Hardware and O-Rings Kit	94.27	113.27
	400032Z	Seal Plate Kit w/ Mechanical Seal	301.72	362.55
	400012	Riser Plate XF to Challenger	99.53	119.60
	401014Z	Motor End Cap and Screw	38.98	46.84
	357924Z	Fan Guard Kit TEFC/Super-Duty	CALL	CALL

CALIFORNIA PROPOSITION 65 WARNING

⚠️ **WARNING:** Cancer and Reproductive Harm.  
 ⚠️ **AVERTISSEMENT:** Peut Causer le Cancer et des Dommages au Système Reproducteur.  
 ⚠️ **ADVERTENCIA:** Cáncer y Daño Reproductivo.  
[www.p65warnings.ca.gov](http://www.p65warnings.ca.gov)

# MAX-E-PROXF<sup>®</sup> SERIES PUMP (CONT'D)

## REPLACEMENT PARTS



Item	Part No.	Description	US List	Can. List
<b>IMPELLERS</b>				
20	400020Z	XFET-8	175.23	210.56
20	400015Z	XFET-12	189.88	228.16
20	400023Z	XFET-20	204.46	245.68
20	400020Z	XF-8	175.23	210.56
20	400015Z	XF-12	CALL	CALL
20	400020Z	XFE-8	175.23	210.56
20	400015Z	XFE-12	CALL	CALL
20	400023Z	XFE-20	204.46	245.68
20	400020Z	XFDS-8	175.23	210.56
20	400015Z	XFDS-12	189.88	228.16
20	400020Z	XFDS-30	175.23	210.56
20	400020Z	XF-30	175.23	210.56
20	400020Z	XFE-30	175.23	210.56
20	400020Z	XFJ-8	175.23	210.56
20	400015Z	XFJ-12	189.88	228.16
20	400023Z	XFJ-20	204.46	245.68
20	400020Z	XFK-8	175.23	210.56
20	400015Z	XFK-12	189.88	228.16
20	400023Z	XFK-20	204.46	245.68

<b>MOTORS</b>				
27	354816S	2hp 1-Phase TEFC 208-230V	1696.14	2038.08
27	354818S	3hp 1-Phase TEFC 208-230V	2216.40	2663.22
27	354820S	5hp 1-Phase TEFC 208-230V	1383.09	1661.92
27	355027S	2hp Standard E 230V	1625.64	1953.36
27	355034S	3hp Standard E 230V	2114.92	2541.28
27	355015S	2hp High Eff 208-230V	1681.74	2020.78
27	355017S	3hp High Eff 208-230V	2125.74	2554.28
27	353319S	5hp High Eff 208-230V	2653.00	3187.84
27	359527S	2hp 2 Speed 230V	1131.43	1359.53
27	353318S	3hp 2 Speed 230V	1358.36	1632.21
27	359527S	2.5hp Up rated 2 Speed 230V	1131.43	1359.53
27	355027S	2.5hp Up rated Standard E 230V	1625.64	1953.36
27	355015S	2.5hp Up rated High E 208-230V	1681.74	2020.78
27	354810S	2hp 3 Phase 208-230-460V	1789.62	2150.40
27	354812S	3hp 3 Phase 208-230-460V	2166.32	2603.06
27	354814S	5hp 3 Phase 208-230-460V	2633.30	3164.18

Item	Part No.	Description	US List	Can. List
<b>DIFFUSERS</b>				
16	400010	XFET-8	136.34	163.83
16	400010	XFET-12	136.34	163.83
16	400011Z	XFET-20	147.16	176.83
16	400010	XF-8	136.34	163.83
16	400010	XF-12	136.34	163.83
16	400010	XFE-8	136.34	163.83
16	400010	XFE-12	136.34	163.83
16	400011Z	XFE-20	147.16	176.83
16	400010	XFDS-8	136.34	163.83
16	400010	XFDS-12	136.34	163.83
16	400010	XFDS-30	136.34	163.83
16	400010	XF-30	136.34	163.83
16	400010	XFE-30	136.34	163.83
16	400010	XFJ-8	136.34	163.83
16	400010	XFJ-12	136.34	163.83
16	400011Z	XFJ-20	147.16	176.83
16	400010	XFK-8	136.34	163.83
16	400010	XFK-12	136.34	163.83
16	400011Z	XFK-20	147.16	176.83

<b>POWER ENDS</b>				
2	401632Z	2hp 1-Phase TEFC 208-230V	1871.85	2249.21
2	401633Z	3hp 1-Phase TEFC 208-230V	2246.66	2699.59
2	401634Z	5hp 1-Phase TEFC 208-230V	2425.63	2914.64
2	401612Z	2hp Standard E 230V	1722.01	2069.17
2	401613Z	3hp Standard E 230V	1842.18	2213.56
2	401609Z	2hp High Eff 208-230V	1749.40	2102.08
2	401610Z	3hp High Eff 208-230V	2099.69	2522.99
2	401611Z	5hp High Eff 208-230V	2236.91	2687.87
2	401607Z	2hp 2 Speed 230V	1930.93	2320.21
2	401608Z	3hp 2 Speed 230V	2120.38	2547.85
2	401607Z	2.5hp Up rated 2 Speed 230V	1930.93	2320.21
2	401612Z	2.5hp Up rated Standard E 230V	1722.01	2069.17
2	401609Z	2.5hp Up rated High E 208-230V	1749.40	2102.08
2	401617Z	2hp 3 Phase 208-230-460V	1800.81	2163.85
2	401618Z	3hp 3 Phase 208-230-460V	1920.61	2307.80
2	401619Z	5hp 3 Phase 208-230-460V	2216.92	2663.85

**Note: Pumps and replacement motors that are single speed and one (1) Total HP or greater cannot be sold, offered for sale, or installed in a residential pool for filtration use in California, Title 20 CCR sections 1601-1609.**

CALIFORNIA PROPOSITION 65 WARNING

▲ **WARNING:** Cancer and Reproductive Harm.  
▲ **AVERTISSEMENT:** Peut Causer le Cancer et des Dommages au Système Reproducteur.  
▲ **ADVERTENCIA:** Cáncer y Daño Reproductivo.

[www.p65warnings.ca.gov](http://www.p65warnings.ca.gov)
P/N 201714



# MAX-E-PRO® SERIES PUMP REPLACEMENT PARTS

## Box A

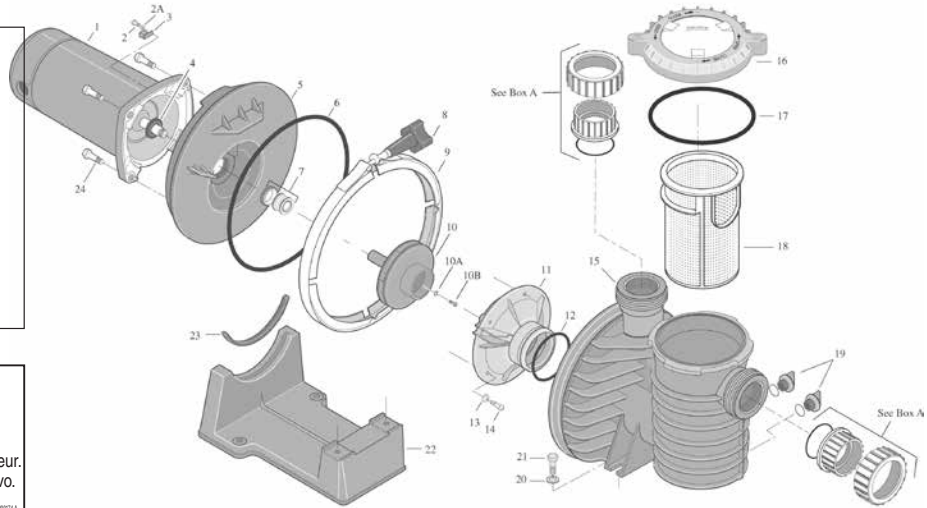
For quick disconnect pipe connections, purchase separately:  
PKG 188Z 2 in. Slip 1/2 Union Kit or  
Pkg. 189 2 in. NPT 1/2 Union Kit.

Includes 2 each:  
U11-200P Union Collar  
U9-362 O-Ring

U11-196P 2 in. Slip adapter or  
U11-199P 2 in. NPT adapter.

### CALIFORNIA PROPOSITION 65 WARNING

⚠ **WARNING:** Cancer and Reproductive Harm.  
⚠ **AVERTISSEMENT:** Peut Causer le Cancer  
et des Dommages au Système Reproducteur.  
⚠ **ADVERTENCIA:** Cáncer y Daño Reproductivo.  
[www.p65warnings.ca.gov](http://www.p65warnings.ca.gov)



Model No.	HP	Motor No. (Item No. 1)	Impeller (Item No. 10)	Diffuser (Item No. 11)	Motor Base/Pad
1 PHASE 60 HZ PUMPS - TEFC 1-Speed					
348150	1	354822S	C105-238PB	C1-271P1	Note 6
348151	1-1/2	354824S	C105-238PDBA	C1-271P	Note 6
348152	2	354816S	C105-238PEBA	C1-271P	Note 6
348153	3	354818S	C105-238PLA	C1-271P	Note 6
1 PHASE 60 HZ PUMPS - 115/230 V 1-Speed					
P6E6C-204L	1/2	AE100CHL	C105-238PX	C1-271P1	Note 5
P6E6D-205L	3/4	AE100DHL	C105-238P	C1-271P1	Note 5
P6R6D-205L	3/4	355021S	C105-238P	C1-271P1	Note 6
P6E6E-206L	1	AE100EHL	C105-238PB	C1-271P1	Note 5
P6EA6E-205L	1	AE100ELL	C105-238P	C1-271P1	Note 5
P6RA6E-205L	1	355021S	C105-238P	C1-271P1	Note 6
P6R6E-206L	1	355023S	C105-238PB	C1-271P1	Note 6
P6EA6F-206L	1-1/2	AE100FLL	C105-238PB	C1-271P1	Note 5
P6RA6F-206L	1-1/2	355023S	C105-238PB	C1-271P1	Note 6
P6R6F-207L	1-1/2	355025S	C105-238PDBA	C1-271P	Note 6
1 PHASE 60 HZ PUMPS - 230V 1-Speed					
P6E6F-207L	1-1/2	AE100FHL	C105-238PDBA	C1-271P	Note 5
P6EA6F-216L	1-3/4	AE100F5LL	C105238PDCA	C1-271P	Note 5
P6RAA6F-216L	1-3/4	A100F5LL	C105-238PDCA	C1-271P	Note 5
P6E6G-208L	2	AE100GHL	C105-238PEBA	C1-271P	Note 5
P6EA6G-207L	2	355025S	C105-238PDBA	C1-271P	Note 5
P6RA6G-207L	2	AE100GHL	C105-238PDBA	C1-271P	Note 6
P6R6G-208L	2	355027S	C105-238PEBA	C1-271P	Note 6
P6EA6G-208L	2-1/2	AE100G5LL	C105-238PEBA	C1-271P	Note 5
P6E6H-209L	3	AE100HLL	C105-238PLA	C1-271P	Note 6
P6R6H-209L	3	355034S	C105-238PLA	C1-271P	Note 6

**Note:** Pumps and replacement motors that are single speed and one (1) Total HP or greater cannot be sold, offered for sale, or installed in a residential pool for filtration use in California, Title 20 CCR sections 1601-1609.

# MAX-E-PRO® SERIES PUMP (CONT'D)

## REPLACEMENT PARTS



Model No.	HP	Motor No. (Item No. 1)	Impeller (Item No. 10)	Diffuser (Item No. 11)	Motor Base/Pad
1 PHASE 60 HZ PUMPS - 2-Speed					
P6RA6YF-206L	1-1/2 (Hi Speed ), 1/4 (Low Speed)	A100FLL-Y	C105-238PBA <sup>3</sup>	C1-271P1	Note 5
P6RA6YG-207L	2 (Hi Speed ), 1/3 (Low Speed)	AE100GLL-Y	17307-0116 <sup>5</sup> , C105-238PDBA	C1-271P	Note 5
3 PHASE 60 HZ PUMPS - 208-230/460 - TEFC					
345076	1	354806S	C105-238PBA <sup>4</sup>	C1-271P1	Note 6
345077	1-1/2	354808S	C105-238PDBA <sup>4</sup>	C1-271P	Note 6
345078	2	354810S	C105-238PEBA <sup>4</sup>	C1-271P	Note 6
345079	3	354812S	C105-238PLA <sup>4</sup>	C1-271P	Note 6
3 PHASE 60 HZ PUMPS - 200/400v 1 Speed					
P6R62D3-186	3/4	AP100DH2	C105-238A <sup>4</sup>	C1-271P1	Note 5
P6R62E3-187	1	AP100EH2	C105-238PBA <sup>3</sup>	C1-271P1	Note 5
P6R62F3-188	1-1/2	AP100FH2	C105-238PDBA <sup>4</sup>	C1-271P	Note 5
P6R62G3-189	2	AP100GH2	C105-238PEBA <sup>4</sup>	C1-271P	Note 5
3-Phase Models: - 575 Volts					
P6EA6D36-204	3/4	16502-0024S	C105-238PX <sup>4</sup> A	C1-271P1	Note 6
P6EA6E36-205	1	16503-0024S	C105-238P <sup>4</sup> A	C1-271P1	Note 6
P6EA6F36-206	1-1/2	62001-1019S	C105-238PBA <sup>4</sup>	C1-271P1	Note 5
P6EA6G36-207	2	62003-2087	C105-238PDBA <sup>4</sup>	C1-271P	Note 5
P6E6H36-209	3	62001-1021S	C105-238PLA <sup>4</sup>	C1-271P1	Note 6

Item	Part No.	Description	US List	Can. List
<b>MAX-E-PRO SERIES REPLACEMENT PARTS</b>				
1	Chart	Motor		
2	U30-692SS	#10-32 x 1/2 in. Screw	3.05	3.66
2A	U43-22SS	Lock Washer	2.77	3.33
3	U17-568	Bonding Lug	16.29	19.57
4	17351-0009	Water Slinger	2.83	3.40
5	C203-194P	Seal Plate Kit (Incl. Part Nos. 6, 7)	250.76	301.31
6	U9-228AZ	O-Ring (Round)	14.64	17.59
6	357099Z	O-Ring (Square)	15.36	18.46
7	17351-0101S	Shaft Seal, EDPM black	39.12	47.01
8	WC36-22	Clamp Knob	19.01	22.84
9	C19-37A	Clamp	156.22	187.71
10	Chart	Impeller		
10A	35505-1426	Impeller Screw O-Ring	1.57	1.89
10B	Chart	Impeller Screw		
11	Chart	Diffuser		
12	U9-374Z	Diffuser O-Ring	8.13	9.77
12	357098Z	Diffuser O-Ring (Blue Coating)	8.63	10.37
13	U43-21SS	#8 Lock Washer	2.57	3.09
14	U30-542SS	Screw (w/ C1-271P1 Diffuser)	3.29	3.95
15	17307-0110S	Tank Body Assembly <sup>2</sup>	465.36	559.18
16	17307-0111S	Trap Cover Assembly <sup>1</sup>	105.24	126.46
17	35505-1440	Trap O-Ring	27.82	33.43

Item	Part No.	Description	US List	Can. List
18	C8-58PZ	Basket	20.65	24.81
19	U178-920PZ	1/4 in. NPT Drain Plug	7.57	9.10
19	U9-359	Drain Plug O-Ring	1.14	1.37
20	U43-41SSZ	Base Washer	3.82	4.59
21	U30-918SS	Base Screw	7.39	8.88
22	C4-78P	Base	67.99	81.70
22	C104-79P	Base w/ Motor Pad	69.58	83.61
23	C35-43	Motor Pad	8.15	9.79
23	C35-44	Motor Pad	12.03	14.46
24	U30-74SS	3/8-16 x 1 in. Hex Hd. Screw	6.56	7.88
	357924Z	Fan Guard Kit TEFC/Super-Duty	CALL	CALL
	356196	Max-E-Pro/IntelliPro Quick Kit (includes 6, 7, 10A, 12, 20(x2), 17)	45.09	54.18

<sup>1</sup> Includes Trap Cover, Trap Ring and Trap Cover O-Ring

<sup>2</sup> Includes Trap Body, Basket, Drain Plugs, and Trap Cover Assembly

<sup>3</sup> Uses Key No. 10B Impeller Screw No. 37337-6080

<sup>4</sup> Uses Key No. 10B Impeller Screw No. 37337-6081

<sup>5</sup> Uses base C4-78P and motor pad C35-43

<sup>6</sup> Uses base C104-79P and includes motor pad C35-44

**Note: Pumps and replacement motors that are single speed and one (1) total HP or greater cannot be sold, offered for sale, or installed in a residential pool for filtration use in California, Title 20 CCR sections 1601-1609.**

# MAX-E-PRO® SERIES DOE PUMP REPLACEMENT PARTS

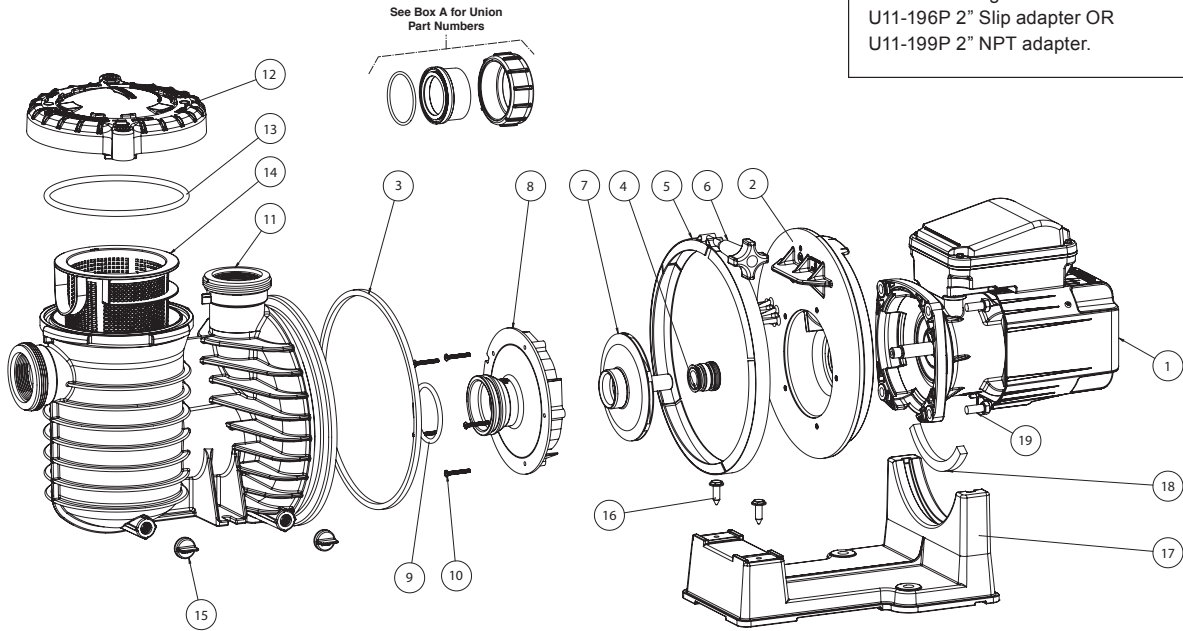


**Box A**

For quick disconnect pipe connections, purchase separately:  
Pkg. 188 2" Slip 1/2 Union Kit or  
Pkg. 189 2" NPT 1/2 Union Kit.

**Kit Includes:**

- U11-200P Union Collar
- U9-362 O-Ring
- U11-196P 2" Slip adapter OR
- U11-199P 2" NPT adapter.



Replacement Parts for Product #348185

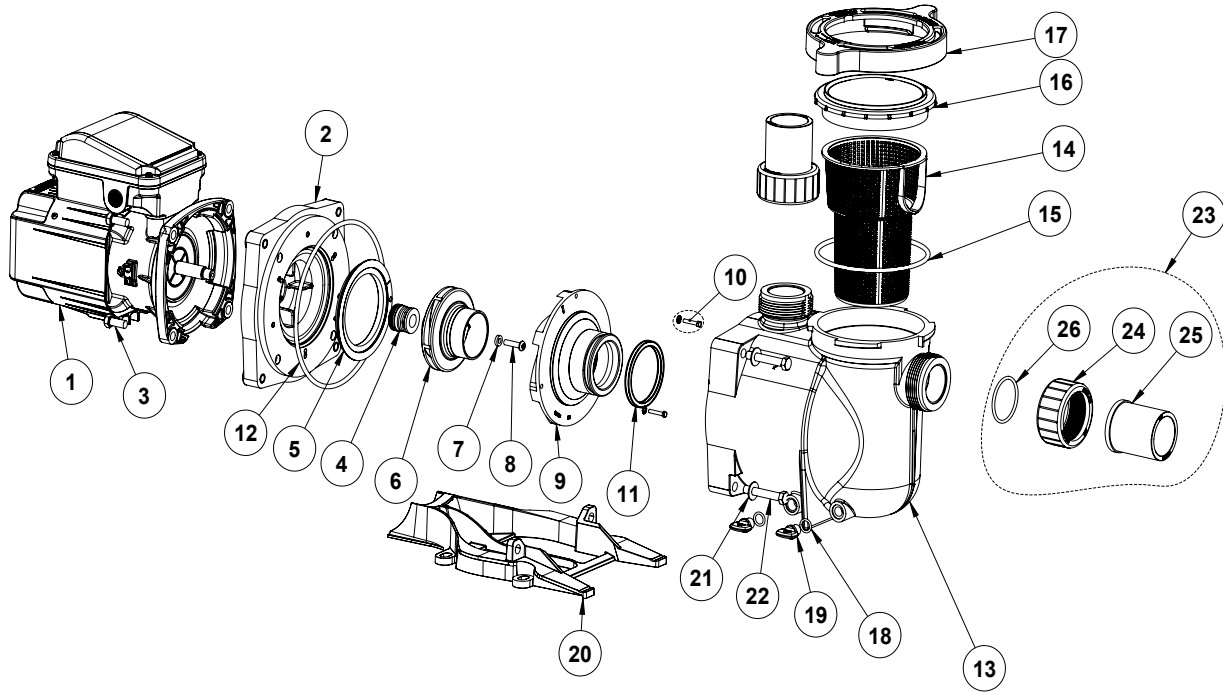
Item	Part No.	Description	US List	Can. List
<b>MAX-E-PRO SERIES DOE REPLACEMENT PARTS</b>				
1	356362S	Motor	651.71	783.09
2	C203-194P	Seal Plate Kit (Incl. Item# 3-4)	250.76	301.31
3	357099	Gasket, Seal Plate to Housing	CALL	CALL
4	17351-0101S	Shaft Seal	39.12	47.01
5	C19-37A	Band Clamp	156.22	187.71
6	WC36-22	Band Clamp Knob	19.01	22.84
7	C105-238PDOEZ	Impeller	123.30	148.16
8	356359Z	Diffuser	105.68	126.99
9	357098Z	Diffuser O-Ring (Blue Coating)	8.63	10.37
10	357841Z	Diffuser Screw Kit	10.55	12.68

Item	Part No.	Description	US List	Can. List
11	17307-0110S	Trap Body Assembly (Incl. Item# 12-15)	465.36	559.18
12	17307-0111S	Trap Cover Assembly (Incl. Item# 12-13)	105.24	126.46
13	35505-1440	Trap O-Ring	27.82	33.43
14	C8-58P	Basket	CALL	CALL
15	U178-920P	Drain Plug, 1/4" NPT (Qty. 2)	CALL	CALL
16	U30-918SS	Base Screw (Qty. 2)	7.39	8.88
17	C4-79P	Base	67.99	81.70
18	C35-43	Motor Pad	8.15	9.79
19	U30-74SS	Screw, 3/8-16 x 1" Hex Head (Qty. 4)	6.56	7.88
—	357810	Fan Guard Kit	CALL	CALL



# SUPERMAX® DOE PUMP

## REPLACEMENT PARTS



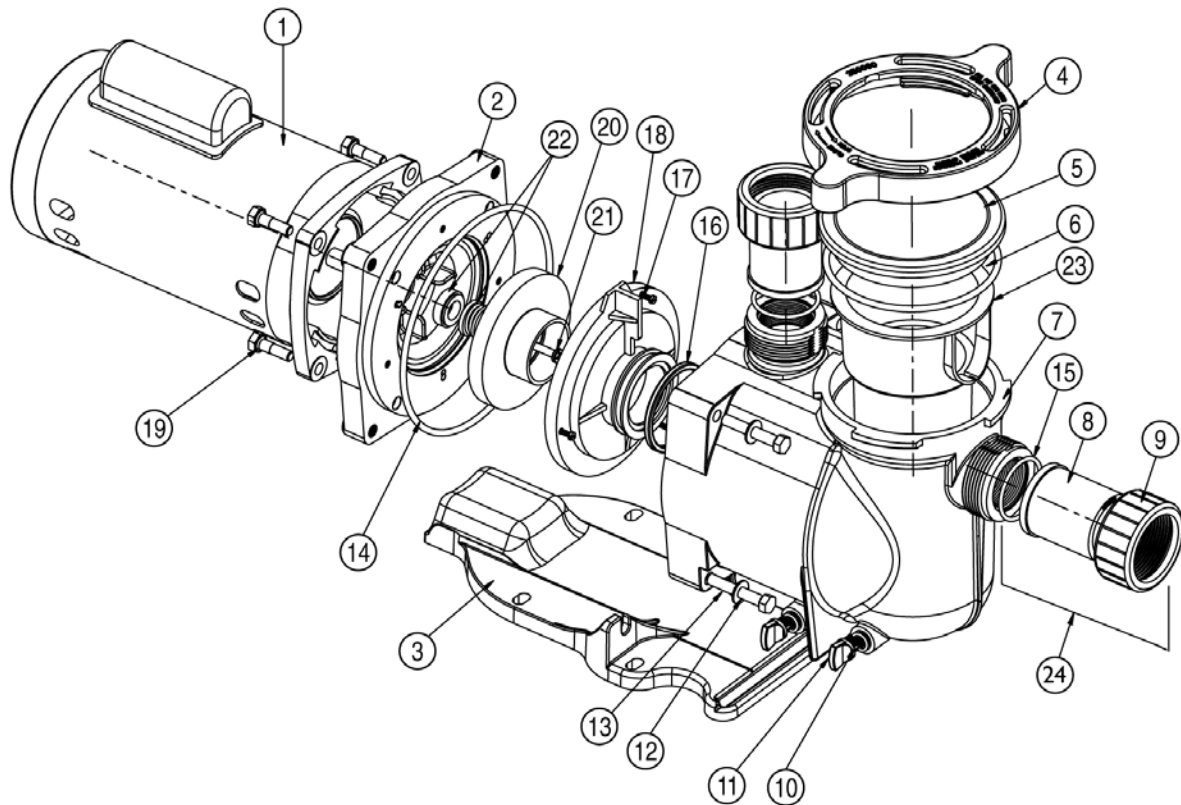
Replacement Parts for Product #348191

Item	Part No.	Description	US List	Can. List
<b>SUPERMAX DOE PUMPS</b>				
1	356362S	Motor	651.71	783.09
2	355612	Seal Plate	130.71	157.06
3	070249	Bolt, Motor (Qty. 4)	CALL	CALL
4	354545SS	Shaft Seal Set	CALL	CALL
5	356357Z	Hydraulic Isolator	35.23	42.33
6	356356Z	Impeller	88.06	105.81
7	075713	Washer, Impeller Screw	2.31	2.78
8	071652Z	Screw, Impeller	4.72	5.67
9	356358Z	Diffuser	137.38	165.08
10	356213Z	Screw, Diffuser #8-32 X 7/8" (Qty. 3)	10.55	12.68
11	355030	Diffuser Seal	CALL	CALL
12	355619	O-Ring, Seal Plate	CALL	CALL
13	351089	Strainer Pot	410.42	493.16

Item	Part No.	Description	US List	Can. List
14	355667	Strainer Basket	32.64	39.22
15	357255	O-Ring, Lid	CALL	CALL
16	350091	Lid	48.73	58.55
17	351090	Locking Ring	60.71	72.95
18	192115Z	O-Ring, Drain Plug, (Qty. 2)	3.79	4.55
19	357161Z	Drain Plug (Qty. 2)	7.57	9.10
20	351094	Base	144.39	173.50
21	072184	Washer, Strainer Pot, (Qty. 4)	2.31	2.78
22	355621	Bolt, Strainer Pot (Qty. 4)	7.49	9.00
23	351157	Union Kit (Includes Items 24-26)	126.94	152.53
24	270141	Union Nut (Qty. 2)	29.22	35.11
25	350093	Union Adapter (Qty. 2)	27.28	32.78
26	6020018	Union O-Ring (Qty. 2)	0.52	0.62
—	357810	Motor Fan Guard	CALL	CALL

# SUPERMAX® PUMP

## REPLACEMENT PARTS



**Note:** Pumps and replacement motors that are single speed and one (1) total HP or greater cannot be sold, offered for sale, or installed in a residential pool for filtration use in California, Title 20 CCR sections 1601-1609.

CALIFORNIA PROPOSITION 65 WARNING

⚠️ **WARNING:** Cancer and Reproductive Harm.  
 ⚠️ **AVERTISSEMENT:** Peut Causer le Cancer et des Dommages au Système Reproducteur.  
 ⚠️ **ADVERTENCIA:** Cáncer y Daño Reproductivo.

www.p65warnings.ca.gov

# SUPERMAX® PUMP (CONT'D)

## REPLACEMENT PARTS

Item	Part No.	Description	US List	Can. List
<b>SINGLE SPEED SUPERMAX MOTORS</b>				
1	354804S	3/4HP, 1SP, 1PH, TEFC, 115/208-230	1112.96	1337.34
1	354822S	1HP, 1SP, 1PH, TEFC, 115/208-230	1208.60	1452.26
1	354824S	1-1/2HP, 1SP, 1PH, TEFC, 208-230	1423.58	1710.58
1	354816S	2HP, 1SP, 1PH, TEFC, 208-230	1696.14	2038.08
1	355019S	1/2 HP Motor, SQFL, 1 sp, 1 ph, 60 hz, 115/208-230, Black	853.04	1025.02
1	355019S	3/4 HP Motor, SQFL, 1 sp, 1 ph, 60 hz, 115/208-230, Black	853.04	1025.02
1	355021S	1 HP Motor, SQFL, 1 sp, 1 ph, 60 hz, 2115/208-230, Black	999.22	1200.66
1	355023S	1-1/2 HP Motor, SQFL, 1 sp, 1 ph, 60 hz, 115/208-230, black	1110.84	1334.78
1	355025S	2 HP Motor, SQFL, 1 sp, 1 ph, 60 hz, 115/208-230, Black	1376.30	1653.76
1	355027S	2-1/2 HP Motor, SQFL, 1 sp, 1 ph, 60 hz, 208-230, Black	1625.64	1953.36
<b>2 SPEED SUPERMAX MOTORS</b>				
1	355232S	1 HP Motor, SQFL, 2 sp, 1 ph, 60 hz, 230V, Black	1320.16	1586.30
1	355376S	1-1/2 HP Motor, SQFL, 2 sp, 1 ph, 60 hz, 230V, Black	1495.04	1796.44
1	355377S	2 HP Motor, SQFL, 2 sp, 1 ph, 60 hz, 230V, Black	1810.00	2174.90
<b>EFFICIENT SUPERMAX MOTORS</b>				
1	355009S	1/2 HP Motor SQFL, 1 Speed, 1 phase, 60 Hz, 115/208-230, black	1067.36	1282.54
1	355009S	3/4 HP Motor SQFL, 1 Speed, 1 phase, 60 Hz, 115/208-230, black	1067.36	1282.54
1	355009S	1 HP Motor SQFL, 1 Speed, 1 phase, 60 Hz, 115/208-230, black	1067.36	1282.54
1	355011S	1.5 HP Motor SQFL, 1 Speed, 1 phase, 60 Hz, 115/208-230, black	1159.14	1392.82
1	355013S	2 HP Motor SQFL, 1 Speed, 1 phase, 60 Hz, 208-230, black	1365.40	1640.66
1	355015S	2.5 HP Motor SQFL, 1 Speed, 1 phase, 60 Hz, 208-230, black	1681.74	2020.78
<b>SUPERMAX PUMPS</b>				
2	355612	Seal Plate, Black	130.71	157.06
3	351094	Base, Black	144.39	173.50
4	351090	Clamp, Ramp & Cam, Black	60.71	72.95
5	350091	Lid	48.73	58.55
6	357255Z	O-ring, Lid #2-357	8.28	9.95
7	351089	Volute, Black	410.42	493.16

Item	Part No.	Description	US List	Can. List
8	350093	Adapter, 2 req.	27.28	32.78
9	270141	Nut, 2 req.	29.22	35.11
10	192115Z	O-Ring Drain Plug, 2 req.	3.79	4.55
11	357161Z	Drain Plug, 2 req.	7.57	9.10
12	355621	ScREW 3/4-16 x 2-1/4 HEX HD,4 req.	7.49	9.00
13	072184	Washer 3/8 in. S/S, 4 req.	2.31	2.78
14	355619Z	O-Ring Seal Bracket	16.23	19.50
15	6020018	O-Ring Adapter #2-226, 2 req.	0.52	0.62
16	355030Z	Seal Diffuser	14.07	16.91
17	355334Z	Screw #8-32 HEX Washer HD, 3 req.	4.72	5.67
22	354545S	Seal Set	42.94	51.60
	356210S	Seal, mechanical, ozone/salt resistant	47.85	57.50
23	355667	Basket, Large	32.64	39.22
24	351157	SuperMax Union Kit (includes 2 of Items 8, 9, & 15)	126.94	152.53
<b>SUPERMAX DIFFUSERS</b>				
18	355617	Diffuser, 1/2 HP	143.99	173.02
18	355617	Diffuser, 3/4 HP	143.99	173.02
18	355617	Diffuser, 1 HP	143.99	173.02
18	355618	Diffuser, 1-1/2 HP	143.99	173.02
18	355618	Diffuser, 2 HP	143.99	173.02
18	350170	Diffuser, 2-1/2 HP	141.82	170.41
19	070429Z	Bolt, 3/8-16 X 7/8 SS Hex Head 18-8, 4 req.	4.72	5.67
<b>SUPERMAX IMPELLERS</b>				
20	355043	Impeller 1/2 HP	81.65	98.11
20	355043	Impeller 3/4 HP	81.65	98.11
20	355067	Impeller 1 HP	83.28	100.07
20	355074	Impeller 1-1/2 HP	84.24	101.22
20	355086	Impeller 2 HP	84.83	101.93
20	355093	Impeller 2-1/2 HP	86.38	103.79
20	355067	Impeller 1 HP, 2-SPD	83.28	100.07
20	355074	Impeller 1-1/2 HP, 2-SPD	84.24	101.22
20	355086	Impeller 2 HP, 2-SPD	84.83	101.93
21	355389	Screw, Impeller Locking	2.31	2.78
<b>NOT SHOWN</b>				
	79129900	2-Speed Toggle Switch	73.22	87.98
	401014Z	Motor End Cap and Screw	38.98	46.84
	357924Z	Fan Guard Kit TEFC/Super-Duty	CALL	CALL

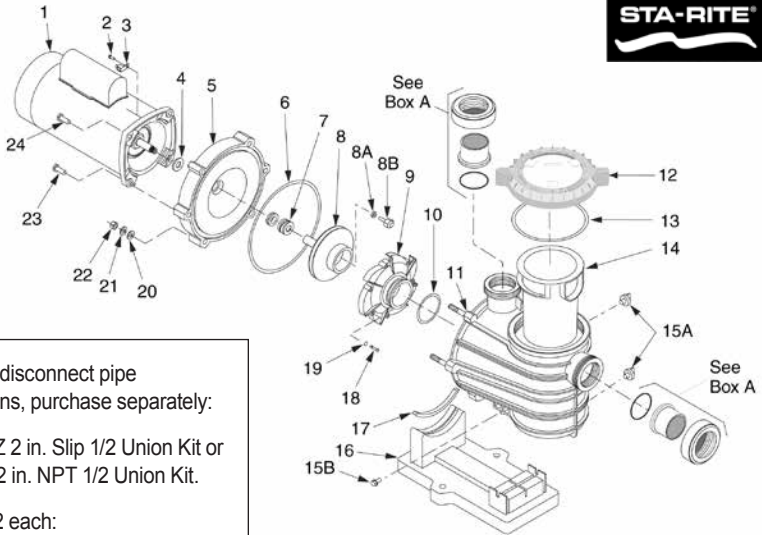
CALIFORNIA PROPOSITION 65 WARNING  
 ⚠️ WARNING: Cancer and Reproductive Harm.  
 ⚠️ AVERTISSEMENT: Peut Causer le Cancer et des Dommages au Système Reproducteur.  
 ⚠️ ADVERTENCIA: Cáncer y Daño Reproductivo.  
[www.p65warnings.ca.gov](http://www.p65warnings.ca.gov)

# DYNA-PRO® / DYNA-PRO E PUMPS

1/2 THROUGH 2-1/2 HP MODELS, SINGLE SPEED AND TWO SPEED REPLACEMENT PARTS

Motor Chart

Model No.	HP	Motor No. (Key No. 1)
Single Speed 115/230/60/1		
MPRA6D-204L	3/4	A100DLL
MPRA6E-205L	1	A100ELL
MPRA6F-206L	1-1/2	A100FLL
MPEA6D-204L	3/4	AE100DLL
MPEA6E-205L	1	AE100ELL
MPEA6F-206L	1-1/2	AE100FLL
MPE6C-204L	1/2	AE100CHL
MPE6D-205L	3/4	AE100DHL
MPE6E-206L	1	AE100EHL
230/60/1		
MPRA6G-207L	2	A100GLL
MPEA6G-207L	2	AE100GLL
MPEAA6G-208L	2-1/2	AE100G5LL
MPE6F-207L	1-1/2	AE100FHL
MPE6G-208L	2	AE100GHL
Two Speed 230/60/1		
MPRA6YF-206L	1-1/2	A100FLL-Y
MPEA6YG-207L	2	AE100GLL-Y
MPEAA6YG-208L	2-1/2	AE100G5LL-Y
MPE6YF-207L	1-1/2	AE100GLL-Y
MPE6YG-208L	2	AE100G5LL-Y



**Box A**

For quick disconnect pipe connections, purchase separately:

PKG 188Z 2 in. Slip 1/2 Union Kit or Pkg. 189 2 in. NPT 1/2 Union Kit.

Includes 2 each:

U11-200P Union Collar

U9-362 O-Ring

U11-196P 2 in. Slip adapter or U11-199P 2 in. NPT adapter.

CALIFORNIA PROPOSITION 65 WARNING

⚠️ **WARNING:** Cancer and Reproductive Harm.  
 ⚠️ **AVERTISSEMENT:** Peut Causer le Cancer et des Dommages au Système Reproducteur.  
 ⚠️ **ADVERTENCIA:** Cáncer y Daño Reproductor.  
[www.p65warnings.ca.gov](http://www.p65warnings.ca.gov) PS/2017A

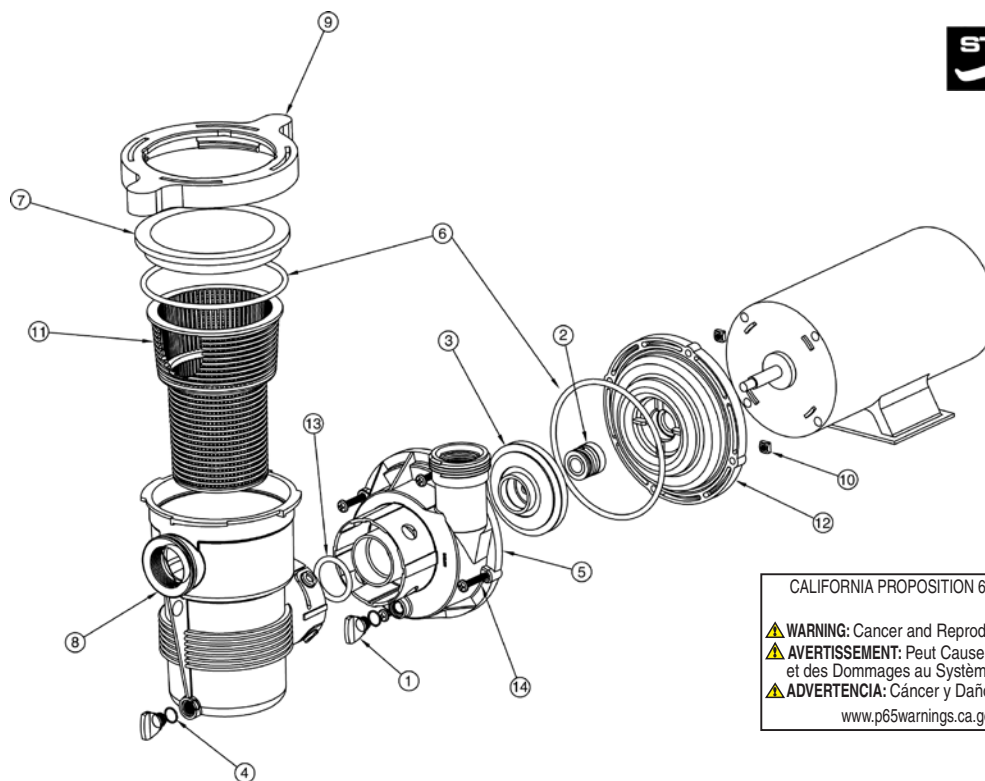
Item	Part No.	Description	US List	Can. List
<b>DYNA-PRO REPLACEMENT PARTS</b>				
2	U30-692SS	Screw #10-32 x 1/2 in.	3.05	3.66
3	U17-568	Bonding Lug	16.29	19.57
4	17351-0009	Slinger	2.83	3.40
5	C3-184P	Seal Plate	175.99	211.47
6	U9-373Z	Seal Plate Cord Ring	13.76	16.53
7	17351-0101S	Shaft Seal	39.12	47.01
8	C105-236P	Impeller, 1/2 HP - Models MPEA6D-204L, MPE6C-204L, MPRA6D-204L	71.05	85.37
8	C105-236PB	Impeller, 1 HP - Models MPEA6E-205L, MPE6D-205L, MPRA6E-205L, MPRA6E-147L, MPRA6E-147LC	71.05	85.37
8	C105-236PC	Impeller, 1-1/2 HP - Models MPEA6F-206L, MPE6E-206L, MPRA6F-206L, MPRA6YF-206L,	71.05	85.37
8	C105-236PDA	Impeller, 2 HP - Models MPEA6G-207L, MPE6F-207L, MPEA6YG-207L, MPE6YF-207L, MPRA6G-207	71.05	85.37
8	C105-236PEA	Impeller, 2-1/2 HP - Models MPEAA6G-208L, MPA6G-208L, MPEAA6YG-208L, MPE6G-208L	71.05	85.37
8A	33455-1047	Gasket, Models MPEA6G-207L, MPE6F-207L, MPEA6YG-207L, MPE6YF-207L, MPRA6G-207	CALL	CALL
8A	33455-1047	Gasket, Models MPEAA6G-208L, MPA6G-208L, MPEAA6YG-208L, MPE6G-208L	CALL	CALL
8B	37337-6080	Impeller Lock Screw, Models MPEA6G-207L, MPE6F-207L, MPEA6YG-207L, MPE6YF-207L, MPRA6G-207	28.87	34.69
8B	37337-6080	Impeller, Models MPEAA6G-208L, MPA6G-208L, MPEAA6YG-208L, MPE6G-208L	28.87	34.69

Item	Part No.	Description	US List	Can. List
9	C1-270PB	Diffuser - 1/2 HP	44.03	52.91
9	C1-270PC	Diffuser - 1 HP	44.03	52.91
9	C1-270P	Diffuser - 1-1/2 HP	44.03	52.91
9	C1-270P	Diffuser - 2 HP	44.03	52.91
9	C1-270P	Diffuser - 2-1/2 HP	44.03	52.91
10	U9-374Z	Diffuser O-Ring	8.13	9.77
10	357098Z	Diffuser O-Ring (Blue Coating)	8.63	10.37
11	C76-71P	Tank and Trap Body (Only)	409.24	491.74
12	17307-0111S	Lid and Locking Ring Assembly	105.24	126.46
13	35505-1440	Trap Cover O-Ring	27.82	33.43
14	C8-58PZ	Trap Basket	20.65	24.81
15A	U178-920PZ	Drain Plug	7.57	9.10
15B	U30-919SS	Mounting Screw 5/16-14 x 5/8 in.	6.54	7.86
16	C4-77P	Base - Plastic	74.41	89.41
17	C35-45	Motor Pad - for Plastic Base	6.77	8.13
18	U30-542SS	Screw #8-32 x 7/8 in. Rd. Hd.	3.29	3.95
19	U43-21SS	Lock Washer #8 Ext. Tooth.	2.57	3.09
20	U43-62SS	Flat Washer 3/8 in.	2.57	3.09
21	U43-12SS	Lock Washer 3/8 in.	4.02	4.83
22	071403	Nut 3/8-16 Hex	2.31	2.78
23	U30-75SS	Cap Screws 3/8-16 x 1-1/4 in. Hex. (LS Suffix)	4.16	5.00
24	U30-74SS	Cap Screws 3/8-16 x 1 in. Hex.	6.56	7.88

**Note: Pumps and replacement motors that are single speed and one (1) Total HP or greater cannot be sold, offered for sale, or installed in a residential pool for filtration use in California, Title 20 CCR sections 1601-1609.**

# OPTIFLO® PUMP

## PENTAIR AND STA-RITE REPLACEMENT PARTS



CALIFORNIA PROPOSITION 65 WARNING  
 ⚠️ WARNING: Cancer and Reproductive Harm.  
 ⚠️ AVERTISSEMENT: Peut Causer le Cancer et des Dommages au Système Reproducteur.  
 ⚠️ ADVERTENCIA: Cáncer y Daño Reproductivo.  
[www.p65warnings.ca.gov](http://www.p65warnings.ca.gov) PH200714

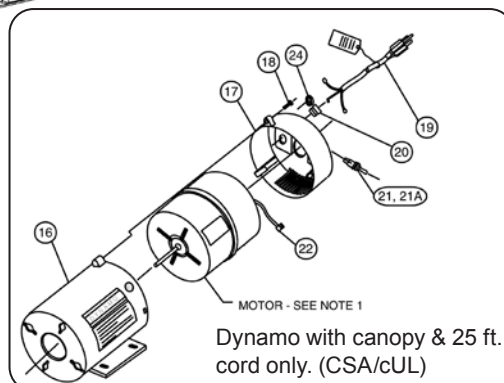
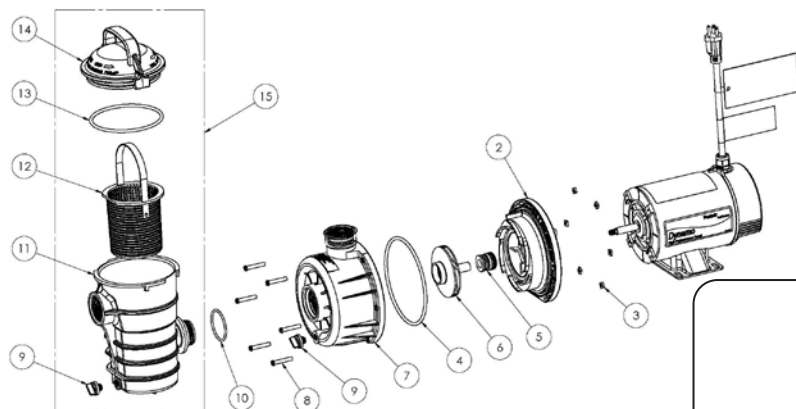
Item	Part No.	Description	US List	Can. List
<b>OPTIFLO PUMPS</b>				
1	357161Z	Drain plug	7.57	9.10
2	354545S	Mechanical seal	42.94	51.60
3	350017	Impeller, 1 HP	90.55	108.80
3	354552	Impeller, 3/4 HP	44.23	53.15
3	350018	Impeller, 1-1/2 HP	95.97	115.32
4	192115Z	O-ring	3.79	4.55
5	357213	Volute <sup>1</sup>	41.28	49.60
6	357255Z	O-ring 2-357	8.28	9.95
7	357227	Lid	17.91	21.52
8	357228	Pot <sup>1</sup>	36.92	44.36
9	357239	Clamp ring	21.67	26.04
10	357254	1/4-20 Square nut	2.12	2.55
11	355667	Basket	32.64	39.22
12	357215	Seal plate	51.23	61.56
13	350103	O-ring 2-130	8.28	9.95
14	98209000	1/4-20 x 1-1/2 Machine screw	3.05	3.66
<b>NOT SHOWN</b>				
	79137800	3 ft. cord - standard	96.52	115.98
	155234	3 ft. cord - TW	116.48	139.96

<sup>1</sup> Includes drain plugs.

**Note: Pumps and replacement motors that are single speed and one (1) Total HP or greater cannot be sold, offered for sale, or installed in a residential pool for filtration use in California, Title 20 CCR sections 1601-1609.**

# DYNAMO® PUMP

## PENTAIR AND STA-RITE REPLACEMENT PARTS



**CALIFORNIA PROPOSITION 65 WARNING**

**⚠ WARNING: Cancer and Reproductive Harm.**  
**⚠ AVERTISSEMENT: Peut Causer le Cancer et des Dommages au Système Reproducteur.**  
**⚠ ADVERTENCIA: Cáncer y Daño Reproductivo.**  
[www.p65warnings.ca.gov](http://www.p65warnings.ca.gov) PH 201714

Item	Part No.	Description	US List	Can. List
<b>DYNAMO PUMPS</b>				
<b>MOTORS</b>				
2	354632	Diffuser, 3/4 HP bracket	155.90	187.33
2	354633	Diffuser, 1, 1-1/2 HP bracket	155.90	187.33
3	354542	Nut, 10-24 SS, 6 req.	2.31	2.78
4	354634	O-ring, 3/16 in. bracket diffuser	12.10	14.54
5	354545S	Seal, 5/8 in. mechanical	42.94	51.60
6	353002	Impeller, 1/2 HP	54.36	65.32
6	354552	Impeller, 3/4 HP	44.23	53.15
6	355122	Impeller, 1 HP	51.32	61.67
7	354630	Housing, body	172.94	207.80
8	354541	Screw, 10-24-1-1/2 in. slotted hex, 6 req.	3.21	3.86
9	U178-920PZ	Drain plug assy. - 2 req.	7.57	9.10
10	273062	O-ring	2.40	2.88
11	354530	Pot	153.22	184.11
12	354548	Basket w/ handle	28.86	34.68
13	354533	O-ring, lid	13.51	16.23
14	354531	Lid, universal	85.58	102.83
14	354113	Chemical Resistant Lid	85.58	102.83
15	354103	Pot assembly	340.37	408.99

Item	Part No.	Description	US List	Can. List
<b>DYNAMO WITH CANOPY AND 25 FT. CORD ONLY (CSA/cUL)</b>				
16	354621	Body, motor enclosure	73.81	88.69
17	354881	Cap, motor enclosure (on/off)	96.01	115.37
17	354882	Cap, motor enclosure (two-speed)	96.01	115.37
18	154716	Screw, No.10 self tapping	1.11	1.33
19	155371	Cord, 25 ft.	116.14	139.55
20	41412700	Bushing connector	16.08	19.32
21	155187	Switch, on/off toggle (CSA)	32.90	39.53
21A	356546	Switch, three position toggle (Hi/Low/Off)	83.88	100.79
22	155193	Wire, 6 in. jumper	9.68	11.63
24	350024	Locknut, steel 1-1/2 in.	1.33	1.60
<b>NOT SHOWN</b>				
	352256	Nut, 1-1/2 in. quick connect, 2 req.	14.99	18.01
	354571	O-ring, 2 req.	5.23	6.28
	79137800	3 ft. cord standard assembly	96.52	115.98
	352245	Strain relief bushing for cords	6.35	7.63
	350444	Canopy switch assembly, on/off <sup>1</sup>	71.54	85.96
	350481	Canopy with on-off switch <sup>2</sup>	71.53	85.95
	155380Z	Base CSA 4 in.	125.48	150.78
	155234	3 ft. cord TW	116.48	139.96
	79137800	3 ft. cord-standard	96.52	115.98

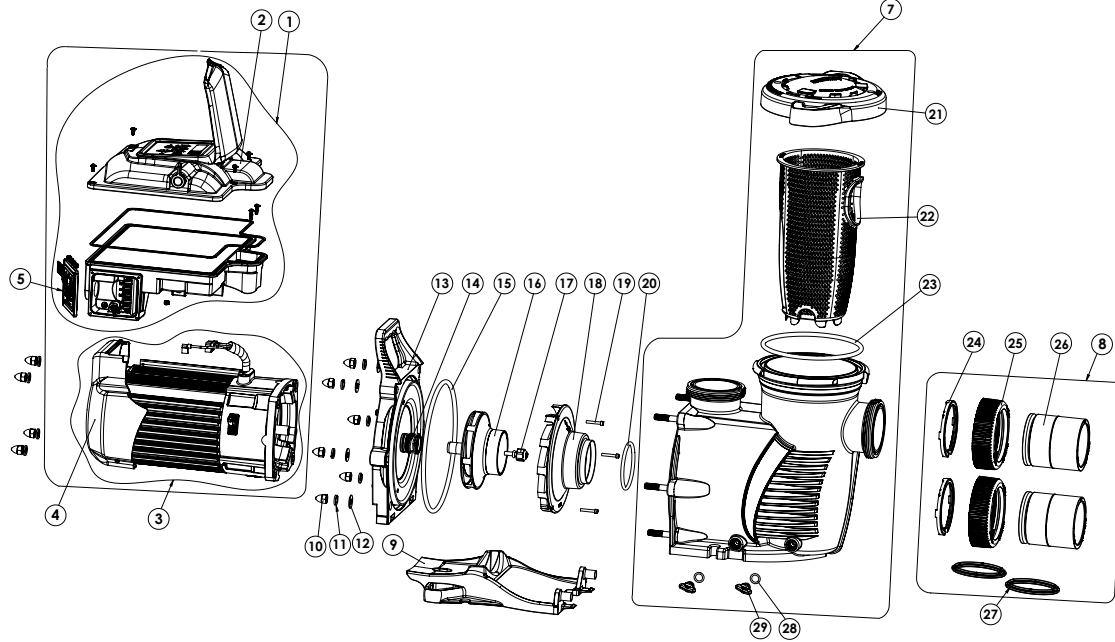
<sup>1</sup> Pumps manufactured before 4/13.

<sup>2</sup> Pumps manufactured after 4/13.

**Note: Pumps and replacement motors that are single speed and one (1) Total HP or greater cannot be sold, offered for sale, or installed in a residential pool for filtration use in California, Title 20 CCR sections 1601-1609.**

# WHISPERFLOXF® VS PUMP / MAX-E-PROXF® VS PUMP

## REPLACEMENT PARTS



Item	Part No.	Description	US List	Can. List
<b>WHISPERFLOXF VS PUMP /MAX-E-PROXF VS PUMP</b>				
1	358085	WhisperFloXF VS Drive Kit (includes drive, top cover, keypad cover and field wiring cover/screws)	3308.15	3975.07
1	358086	Max-E-ProXF VS Drive Kit (includes drive, top cover, keypad cover and field wiring cover/screws)	3308.15	3975.07
2	358093	WhisperFloXF VS Top Cover Kit w/Screws	752.38	904.06
2	358094	Max-E-ProXF VS Top Cover Kit w/Screws	752.38	904.06
3	358089	WhisperFloXF VS Motor w/Fan Shroud	2117.20	2544.03
3	358090	Max-E-ProXF VS Motor w/Fan Shroud	2117.20	2544.03
4	358095	WhisperFloXF VS Fan Shroud w/Screws	162.56	195.33
4	358096	Max-E-ProXF VS Fan Shroud w/Screws	162.56	195.33
5	358091	WhisperFloXF VS Field Wiring Cover w/Screws	94.51	113.56
5	358092	Max-E-ProXF VS Field Wiring Cover w/Screws	94.51	113.56
7	400000	WhisperFloXF VS Wet End Assembly	471.40	566.43
7	401000	Max-E-ProXF VS Wet End Assembly	471.40	566.43
8	410020	Union Kit	214.75	258.04
9	400004Z	WhisperFloXF VS Motor Base	57.53	69.13
9	401004Z	Max-E-ProXF VS Motor Base	57.53	69.13
10	071413	Acorn Nut (Qty. 10)	1.82	2.19
11	U43-12SS	Lock Washer (Qty. 10)	4.02	4.83
12	072184	Flat Washer (Qty. 6)	2.31	2.78
13	400002	WhisperFloXF VS Seal Plate	311.55	374.36
13	401002	Max-E-ProXF VS Seal Plate	311.55	374.36
14	17351-0101S	Mechanical Seal	39.12	47.01
15	351446	Seal Plate O-Ring	9.36	11.25

Item	Part No.	Description	US List	Can. List
16	400023Z	Impeller Assembly	204.46	245.68
17	072172	Impeller Screw Washer (Applicable after 10/7/2019 only)	0.37	0.44
17	37337-6080	Impeller Screw, Plastic-Head (pumps mfg. before 10/7/2019)	28.87	34.69
17	356073	Impeller Screw, Metal-Head (pumps mfg. after 10/7/2019)	11.30	13.58
18	400011	Diffuser	CALL	CALL
19	353323	Diffuser Screws	4.91	5.90
20	350336	Diffuser O-Ring	4.91	5.90
21	400006	WhisperFloXF VS Lid/Locking Ring Assembly	82.95	99.67
21	401006	Max-E-ProXF VS Lid/Locking Ring Assembly	82.95	99.67
22	400007Z	Strainer Basket	51.87	62.33
23	35505-1440	Lid/Locking Ring O-Ring	27.82	33.43
24	410001	2.5 in. C-Clip Locking Ring (Qty. 2)	10.51	12.63
25	411000	2.5 in. Union Nut (Qty. 2)	28.85	34.67
26	410002	2.5 in. Union Adapter w/o Tap (Qty. 2)	49.77	59.80
27	410016Z	2.5 in. Diamond Seal Kit (Qty. 2)	17.75	21.33
28	192115Z	Drain Plug O-Ring (Qty. 2)	3.79	4.55
29	071131Z	WhisperFloXF VS Drain Plug (2 req.)	9.23	11.09
29	357161Z	Max-E-ProXF VS Drain Plug (Qty. 2)	7.57	9.10
<b>NOT SHOWN</b>				
	356324Z	External Control Wiring Kit	112.75	135.48
	97014-4203KIT	3-inch Flowmeter Kit	CALL	CALL
	400030Z	Seal Plate Hardware and O-Ring Kit*	94.27	113.27
	400012	Riser Plate, XF to Challenger	99.53	119.60

\*NOTE: HARDWARE AND O-RING KIT INCLUDES ITEM NO. 9-11 AND 14.

Product on pages 252–255.

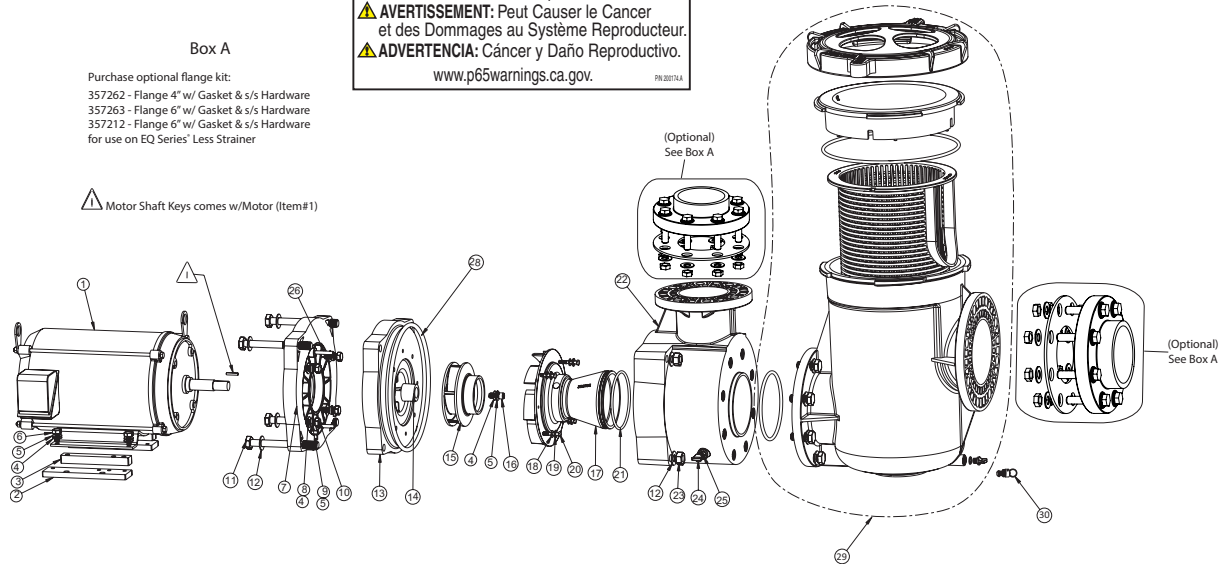
# EQ SERIES® COMMERCIAL PLASTIC PUMP REPLACEMENT PARTS

CALIFORNIA PROPOSITION 65 WARNING  
 ⚠️ **WARNING:** Cancer and Reproductive Harm.  
 ⚠️ **AVERTISSEMENT:** Peut Causer le Cancer et des Dommages au Système Reproducteur.  
 ⚠️ **ADVERTENCIA:** Cáncer y Daño Reproductivo.  
[www.p65warnings.ca.gov](http://www.p65warnings.ca.gov) PH200714

**Box A**

Purchase optional flange kit:  
 357262 - Flange 4" w/ Gasket & s/s Hardware  
 357263 - Flange 6" w/ Gasket & s/s Hardware  
 357212 - Flange 6" w/ Gasket & s/s Hardware  
 for use on EQ Series' Less Strainer

⚠️ Motor Shaft Keys comes w/Motor (Item#1)



Part No.	Model No.	HP	Phase	Motor Support (Item No. 2)	Additional Motor Support (Item No. 3)	Motor No. (Item No. 1)	Impeller (Item No. 15)	Diffuser (Item No. 17)
340019, 340030	EQ500	5	1	356713	356712	357065S	350030	350032
340020, 340031	EQK500	5	3	356713	356712	357068S	350030	350032
340604, 340608	EQKT500	5	3	356713	356712	350731Z	350030	350032
340021, 340032	EQ750	7-1/2	1	356713	N/A	357066S	350029	350033
340022, 340033	EQK750	7-1/2	3	356713	356712	357069S	350029	350033
340605, 340609	EQKT750	7-1/2	3	356713	N/A	350732Z	350029	350033
340237, 340238	EQ1000	10	1	356713	N/A	357063S	350028	350033
340023, 340034	EQK1000	10	3	356713	N/A	357070S	350028	350033
340606, 340610	EQKT1000	10	3	356713	N/A	350733Z	350028	350033
340024, 340035	EQK1500	15	3	356713	N/A	357071S	350027	356735
340607, 340611	EQKT1500	15	3	356713	N/A	350734Z	350027	356735
340045, 340047	EQK1000 EXPL PF, 50 Hz	10	3	356713	N/A	350112S	350027	356735
340046, 340048	EQK750 EXPL PF, 50 Hz	7-1/2	3	356713	N/A	350113S	350028	350033
340049, 350083	EQK1000, 50 Hz	10	3	356713	N/A	350153S	350027	356735
340080, 340084	EQK750, 50 Hz	7-1/2	3	356713	N/A	350154S	350028	350033
340081, 340085	EQK500, 50 Hz	5	3	356713	356712	350155S	350029	350033
340082, 340086	EQK300, 50 Hz	3	3	356713	356712	350156S	350030	350032
340014, 340026	EQW300	3	1	356713	356712	357064S	350027	356735
340016, 340027	EQWK300	3	3	356713	356712	357067S	350027	356735
340018, 340029	EQWK500	5	3	356713	356712	350158S	350070	357273
340017, 340028	EQW500	5	1	356713	356712	350159S	350070	357273
340148, 340155	EQK500 575V	5	3	356713	356712	355038S	350030	350032
340149, 340156	EQK750 575V	7-1/2	3	356713	356712	355039S	350029	350033

Call for pricing on these items.



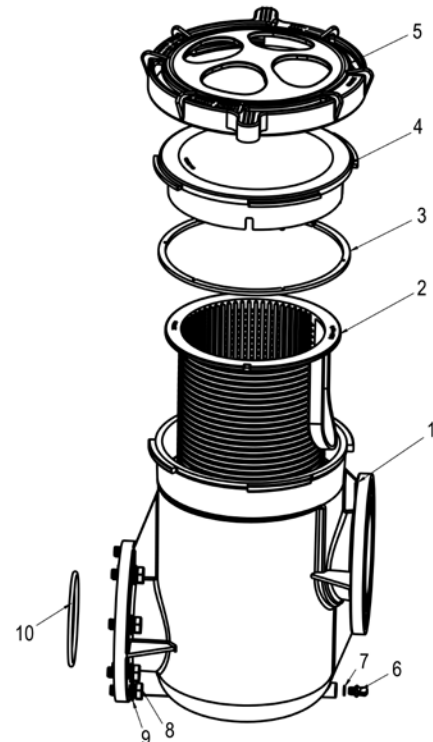
# EQ SERIES® COMMERCIAL PLASTIC PUMP

## REPLACEMENT PARTS

Item	Part No.	Description	US List	Can. List
<b>EQ SERIES PUMP</b>				
1		Motor - See Table on Prev Page		
2		Support - Motor - See Table on Prev Page		
3		Support Adapter - See Table on Prev Page		
4	072184	Washer, Flat 3/8 in. ID x 7/8 in. OD .05 Thk 18-8 s/s - (qty.51 & qty.9)	2.31	2.78
5	98220600	Washer Split Lock 3/8 in. 18-8 s/s - (qty. 51 & qty. 9)	2.31	2.78
6	A135	Screw 3/8 in.-16 x 3/4 in. Hx Hd Cap 18-8 s/s (EQ750...1PH, EQ1000, EQ1500) - (qty. 4)	18.60	22.35
6	350073	Screw 3/8 in.-16 x 1-1/2 Hx Hd Cap 18-8 s/s (EQ300, EQ500, EQ750...3PH) - (qty.4)	8.57	10.30
7	356790	Adapter - Motor - EQ Series	1539.67	1850.07
8	075842	Washer, Flat 1/2 in. ID x 1-1/4 in. OD .125 Thk 300 s/s - (qty. 4)	2.31	2.78
9	350063	Washer Split Lock 1/2 in. 18-8 s/s - (qty.4)	10.99	13.21
10	U30-74SS	Screw 3/8 in.-16 x 1 in. Hx Hd Cap 18-8 s/s (EQ300, EQ500, EQ750...3PH) - (qty. 4)	6.56	7.88
10	071687	BLT 1/2-13 x 1.25 STL HH SS (qty. 4)	9.68	11.63
11	356710	Screw 5/8 in.-11 x 6-1/2 in. Hx Hd Cap 18-8 s/s - (qty. 4)	210.25	252.64
12	356789	Washer, Flat 11/16 in. IDx1 - 5/16 in. OD .078 Thk 300 s/s (qty. 8)	2.31	2.78
13	356795	Seal Plate - EQ Series	1819.61	2186.44
14	071725S	Seal Set	76.40	91.80
15		Impeller - See Table on Prev Page		
16	071037	Screw 3/8 in.-16 x 1 in. Sckt. Hd Cap 18-8 s/s	9.92	11.92

Item	Part No.	Description	US List	Can. List
17		Diffuser - See Table on Prev Page		
18	51008500	Washer, Flat 1/4 in. 300 s/s - (qty. 4)	6.19	7.44
19	072172	Washer Split Lock 1/4 in. 18-8 s/s - (qty. 4)	0.37	0.44
20	350035	Screw 1/4 in.-20 x 1-1/2 in. Hx Hd Cap 18-8 s/s (EQ500, EQ750, EQ1000) - (qty. 4)	8.20	9.85
20	356797	Screw 1/4 in.-20 x 1-3/4 in. Hx Hd Cap 18-8 s/s (EQW300, EQ1500) - (qty. 4)	9.23	11.09
21	350037	O-ing Diffuser 3/16 in. x 4-7/8 in.	28.50	34.25
22	356755	Housing - EQ Series	5475.44	6579.29
23	356776	Nut 5/8 in.-11 Hx Brass - (qty. 5)	26.88	32.30
24	357161Z	Drain Plug	7.57	9.10
25	192115Z	O-ring Drain Plug	3.79	4.55
26	350060	Pin Dowel 5/16 in. x 1-3/4 in. 18-8 s/s - (qty. 2)	39.44	47.39
28	356780	O-ring Seal Plate 3/8 in. x 11 in. dia.	84.78	101.87
29	340013	Strainer Pot Assy Complete EQ 6 in. x 6 in.	2387.55	2868.88
30	350087	Pressure Relief Valve	105.57	126.85
<b>NOT SHOWN</b>				
	351137S	EQ Alignment Tool Seal Plate to Motor	392.84	472.04
	354825	Hardware Kit for 7.5 HP ODP to TEFC Motor Conversion	80.63	96.89
	355930	5HP 3-phase TEFC power end	7103.18	8535.18
	355931	7-1/2HP 3-phase TEFC power end	7894.12	9485.57
	355932	10HP 3-phase TEFC power end	8986.67	10798.38
	355933	15HP 3-phase TEFC power end	10375.47	12467.16

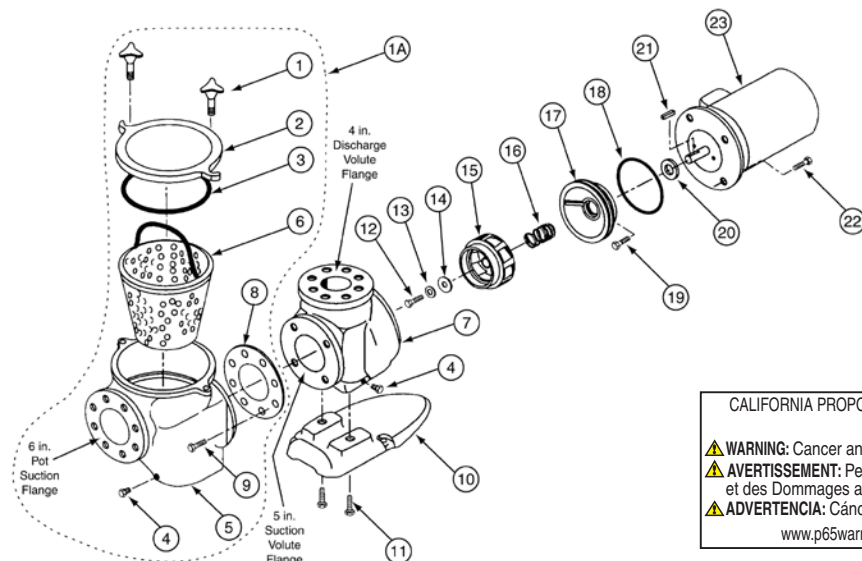
Item	Part No.	Description	US List	Can. List
<b>EQ SERIES HAIR &amp; LINT STRAINER</b>				
1	356725	Pot EQ strainer	1855.67	2229.77
2	357184	Basket EQ strainer	341.31	410.12
3	350166	Gasket, EQ lid	34.39	41.32
4	356750	Lid EQ clear	773.46	929.39
5	350171	Clamp Cam & Ramp™ EQ (No Lid)	1068.74	1284.20
6	357161Z	Drain Plug	7.57	9.10
7	192115Z	O-ring drain plug	3.79	4.55
8	356788	Screw, 5/8 in., 11 x 1-3/4 in. hx hd cap 18-8 SS (qty. 8)	16.95	20.37
9	356789	Washer, flat 11/16 in. ID x 1-5/16 in. OD 0.078 thk 300 SS (qty. 8)	2.31	2.78
10	350013Z	O-ring pot flange	5.66	6.80
<b>NOT SHOWN</b>				
	350087	Pressure relief valve, 1/4 in. NPT	105.57	126.85



CALIFORNIA PROPOSITION 65 WARNING  
 ⚠️ **WARNING:** Cancer and Reproductive Harm.  
 ⚠️ **AVERTISSEMENT:** Peut Causer le Cancer et des Dommages au Système Reproducteur.  
 ⚠️ **ADVERTENCIA:** Cáncer y Daño Reproductivo.  
[www.p65warnings.ca.gov](http://www.p65warnings.ca.gov) P98-2015-14

# C SERIES® HIGH PERFORMANCE COMMERCIAL PUMP

## REPLACEMENT PARTS



CALIFORNIA PROPOSITION 65 WARNING  
 ⚠️ **WARNING:** Cancer and Reproductive Harm.  
 ⚠️ **AVERTISSEMENT:** Peut Causer le Cancer et des Dommages au Système Reproducteur.  
 ⚠️ **ADVERTENCIA:** Cáncer y Daño Reproductivo.  
 www.p65warnings.ca.gov. PA201714

Item	Part No.	Ref. No.	Description	US List	Can. List
<b>C SERIES PUMPS</b>					
1	075280	54475280618	Hand nut assembly, bronze, 2 req.	212.59	255.45
1A	072747		C series pot assembly <sup>1</sup>	9642.67	11586.63
2	075275	26075275219	Cover, C16, bronze	1542.00	1852.87
3	071433	3640525457	O-ring, C-18	14.59	17.53
4	071551	6000002190	Plug pipe, 1/4 in. bronze, 1 req.	8.64	10.38
5	075271Z	79675271199	Pot mach. bronze	7305.16	8777.88
6	072795	70472795100	Basket, C-29 SS 11 in.	725.48	871.74
7	075273Z	18075273199	Volute, C-2 bronze	7206.55	8659.39
8	070943	36470943603	Gasket flange, P-135, 5 in.	44.69	53.70
9	071683	1680634104	Screw, 3/4-10, 1-3/4, SS, 4 req.	55.79	67.04
10	075287	82075287632	Foot, C-4 coated	160.60	192.98
11	071688	1680558359	Screw, 5/8, 11 x 1 stl. hh., 2 req.	2.94	3.53
12	071037	1680115104	Impeller, C-35 lock screw	9.92	11.92
13	071048	90871048212	Impeller, washer, C-71	22.40	26.92
14	075713	3642034603	Impeller, washer gasket	2.31	2.78
15	073828	44473328208	Impeller, CH-50/CHK-50/CHKL-50, 5HP, 1PH, 3PH, high hd.	2379.73	2859.48
15	070228	44470228208	Impeller, CM-50/CMK-50/CMKL-50, 5HP, 1PH, 3PH, med. hd.	2379.73	2859.48
15	073829	44473829208	Impeller, CH-75/CHK-75/CHKL-75, 7.5HP, 1PH, 3PH, high hd.	2379.73	2859.48
15	070227	44470227208	Impeller, CM-75/CMK-75/CMKL-75, 7.5HP, 1PH, 3PH, med. hd.	2379.73	2859.48
15	073830	44473830208	Impeller, CH-100/CHK-100/CHKL-100, 10HP, 1PH, 3PH, high hd.	2379.73	2859.48

Item	Part No.	Ref. No.	Description	US List	Can. List
15	070226	44470226208	Impeller, CM-100/CMK-100/CMKL-100, 10HP, 1PH, 3PH, med hd.	2379.73	2859.48
15	073831	44473831208	Impeller, CHK-150/CHKL-150, 15HP, 3PH, high hd.	2379.73	2859.48
15	070225	44470225208	Impeller, CMK-150/CMKL-150, 15HP, 3PH, med hd.	2379.73	2859.48
15	073832	44473832208	Impeller, CHK-200/CHKL-200, 20HP, 3PH, high hd.	2379.73	2859.48
16	071725S	71271725753	Seal, C-7, PS-360	76.40	91.80
17	070906	11670906199	Flange, mach., C-52 brass	1036.45	1245.40
18	071423	3640508457	O-ring, C-70	5.78	6.95
19	071681	1680378104	Screw, 3/8, 16 x 7/8 in. CS hh., 2 req.	CALL	CALL
20	072185	7641043478	Water slinger, C-115	15.39	18.49
21	071046	4720201104	Impeller, key, 3/16 in.	38.98	46.84
22	071687	1680155113	Screw, 1/2, 13 x 1-1/4 stl. hh., 4 req.	9.68	11.63
<b>60 HERTZ MOTORS</b>					
23	357205S		Motor package, 5HP, 1PH, 200/208V	11377.24	13670.90
23	071366S	52571366999	Motor package, 5HP, 1PH, 230V	11377.24	13670.90
23	357206S		Motor package, 5HP, 3PH, 200/208V	9137.50	10979.62
23	071364S	52571364999	Motor package, 5HP, 3PH, 208-220/440	9137.60	10979.74
23	357207S		Motor package, 7-1/2 HP, 1PH, 200/208V	12409.84	14911.66
23	357204S	525357204999	Motor package, 7-1/2 HP, 1PH, 230V	12409.84	14911.66
23	357208S		Motor package, 7-1/2 HP, 3PH, 200/208V	10005.74	12022.90
23	071365S	52571365999	Motor package, 7-1/2 HP, 3PH, 208-220/440V	10005.72	12022.88

# C SERIES® HIGH PERFORMANCE PUMP (CONT'D)

## REPLACEMENT PARTS

Item	Part No.	Ref. No.	Description	US List	Can. List
<b>C SERIES PUMPS</b>					
<b>60 HERTZ MOTORS (Cont'd)</b>					
23	357247S		Motor package, 7.5HP, 3PH, 575V	5002.87	6011.45
23	357209S		Motor package, 10HP, 3PH, 200/208V	7196.13	8646.87
23	357249S		Motor package, 10HP, 1PH, 230V	6349.74	7629.85
23	071363S	52571363999	Motor package, 10HP, 3PH, 208-220/440V	7196.13	8646.87
23	357238S		Motor package, 10HP, 3PH, 575V	7196.13	8646.87
23	357210S		Motor, package 15HP, 3PH, 200/208V	8430.15	10129.67
23	071361S	52571361999	Motor package, 15HP, 3PH, 208-220/440V	8430.15	10129.67
23	357245S		Motor package, 15HP, 3PH, 575V	8430.15	10129.67
23	357211S		Motor package, 20HP, 3PH, 200/208V	13863.05	16657.84
23	071362S	52571362999	Motor package, 20HP, 3PH, 208-220/440V	13863.05	16657.84
23	357246S		Motor, package 20HP, 3PH, 575V	13863.05	16657.84
<b>50 HERTZ MOTORS</b>					
23	072737S	52572737999	Motor, 5HP, 3PH, 380/415V	4568.75	5489.81
23	072739S	52572739999	Motor, 7.5HP, 3PH, 380/415V	5002.87	6011.45
23	072740S	52572740999	Motor, 10HP, 3PH, 380/415V	2834.66	3406.13
23	072742S	52572742999	Motor, 15HP, 3PH, 380/415V	8028.69	9647.27
23	072744S	52572744999	Motor, 20HP, 3PH, 380/415V	CALL	CALL
<b>Motor subassemblies include items No.12 -21 and 23</b>					
	073260	A073260	Motor, sub assembly, CM-50	18766.04	22549.28
	073262	A073262	Motor, sub assembly, CMK-50 <sup>2</sup>	21077.68	25326.94
	073264	A073264	Motor, sub assembly, CH-50	22467.50	26996.94
	073265	A073265	Motor, sub assembly, CHK-50 <sup>2</sup>	21618.08	25976.28
	073263	A073263	Motor, sub assembly CMK-75 <sup>2</sup>	21638.50	26000.82
	073266	A073266	Motor, sub assembly CHK-75 <sup>2</sup>	22194.10	26668.44
	073680	A073680	Motor, sub assembly CMK-100 <sup>2</sup>	28550.64	34306.44
	073267		Motor, sub assembly CHK-100 <sup>2</sup>	23550.42	28298.18
	073261	A073261	Motor, sub assembly CMK-150 <sup>2</sup>	29297.80	35204.24
	073268	A073268	Motor, sub assembly CHK-150 <sup>2</sup>	30609.88	36780.84

Item	Part No.	Ref. No.	Description	US List	Can. List
	073269	A073269	Motor, sub assembly CHK-200 <sup>2</sup>	43689.02	52496.72
	357910	A357910	Motor, sub assembly CH-75, 1PH, 230V <sup>3</sup>	9681.37	11633.13
	357930	A357930	Motor, sub assembly CM-75, 1PH, 200V <sup>3</sup>	9681.37	11633.13
	357935	A357935	Motor, sub assembly CH-75, 1PH, 200V <sup>3</sup>	9681.37	11633.13
	357250		Motor, sub assembly CH-100, 10HP, 1PH, 230V	14081.99	16920.92
	357251		Motor, sub assembly CM-100, 1PH, 230V	14081.99	16920.92
	014700	A014700	Motor, sub assembly CMKL-50 380/415V <sup>4</sup>	10438.49	12542.89
	014801	A014801	Motor, sub assembly CHKL-50 380/415V <sup>4</sup>	10438.49	12542.89
	014701	A014701	Motor, sub assembly CMKL-75 380/415V <sup>4</sup>	10716.26	12876.66
	014802	A014802	Motor, sub assembly CHKL-75 380/415V <sup>4</sup>	10716.26	12876.66
	014702	A014702	Motor, sub assembly CMKL-100 <sup>4</sup>	13759.80	16533.78
	014803	A014803	Motor, sub assembly CHKL-100 <sup>4</sup>	13759.80	16533.78
	014703	A014703	Motor, sub assembly CMKL-150 <sup>4</sup>	15159.13	18215.21
	014804	A014804	Motor, sub assembly CHKL-150 <sup>4</sup>	15159.13	18215.21
	014805	A014805	Motor, sub assembly CHKL-200 <sup>4</sup>	21636.51	25998.43

<sup>1</sup> Includes: 2 of item No. 1, 1 each of items No. 2 thru No. 6, 1 of item No. 8 and 4 of item No. 9.

<sup>2</sup> All motor subassemblies are 60 Hertz 220/440V, 3 phase.

<sup>3</sup> All motor subassemblies are single phase 60 Hertz.

<sup>4</sup> All motor subassemblies are 50 Hertz 380/415V, 3 phase.

**Notes:**

- All bronze C-series parts will retrofit older cast iron models.
- Standard flange not included with pump.
- For all 200/208V applications, use 200/208V motors only.

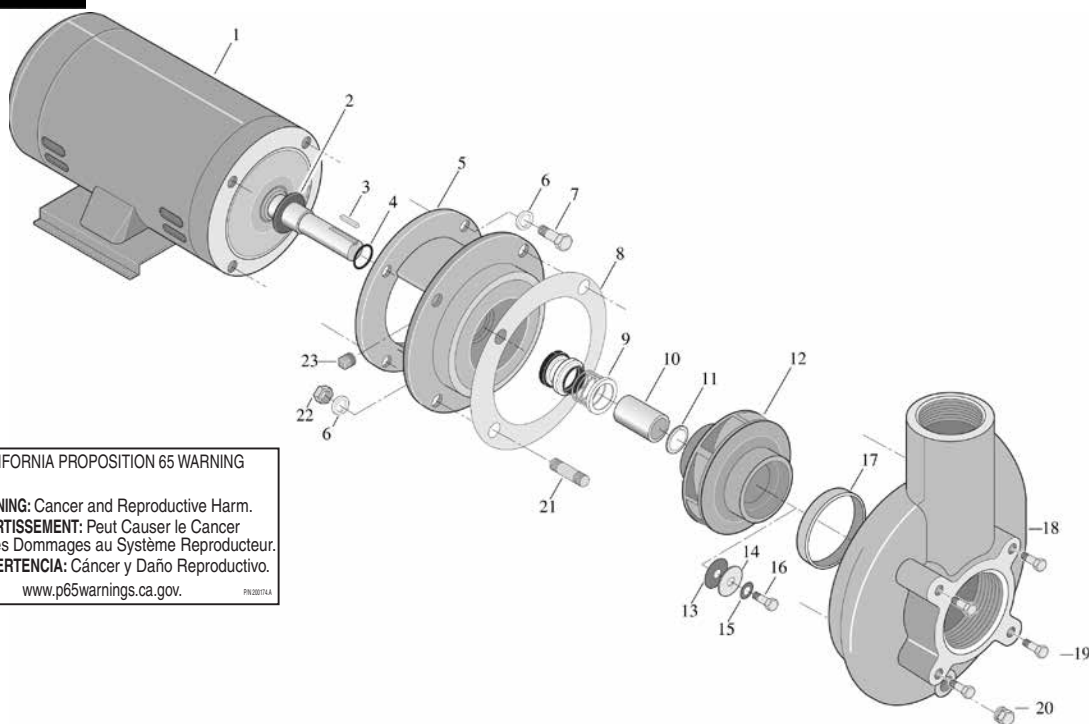
CALIFORNIA PROPOSITION 65 WARNING

⚠ **WARNING:** Cancer and Reproductive Harm.  
 ⚠ **AVERTISSEMENT:** Peut Causer le Cancer et des Dommages au Système Reproducteur.  
 ⚠ **ADVERTENCIA:** Cáncer y Daño Reproductivo.

www.p65warnings.ca.gov. PH000164

# C/CC SERIES™ CENTRIFUGAL PUMP

## 3 HP MODEL REPLACEMENT PARTS



CALIFORNIA PROPOSITION 65 WARNING

⚠️ **WARNING:** Cancer and Reproductive Harm.  
 ⚠️ **AVERTISSEMENT:** Peut Causer le Cancer et des Dommages au Système Reproducteur.  
 ⚠️ **ADVERTENCIA:** Cáncer y Daño Reproductivo.  
[www.p65warnings.ca.gov](http://www.p65warnings.ca.gov)      PN202514

Item	Part No.	Description	US List	Can. List
<b>CENTRIFUGAL PUMP - C/CC SERIES - 3 HP</b>				
1	C218-177	Motor 230V/60H/1 Ph.	3184.56	3826.56
1	C218-178	Motor 200V/60H/3 Ph.	2651.54	3186.10
1	C218-179	Motor 230/460V/60H/3 Ph.	CALL	CALL
1	C218-191	Motor 200V/60H/1 Ph.	3184.56	3826.56
3	U65-42A	Key, Impeller	18.82	22.61
4	U9-265	O-Ring	3.82	4.59
5	C2-81	Adapter (Models: CCMH-136, CCM2H-136, CCM2H-136S, CCMH3-136S, CCM2H3-136, CCM2H3--136S, CCHH-137S, CCHH3-137S, CCH2H-137S, CCH2H3-137, CCH2H3-137S)	348.43	418.67
5	C2-81D	Adapter (Models: CMH-136, CMH3-136, CM2H-136, CM2H3-136, CHH-137, CHH3-137, CH2H3-137)	1268.73	1524.51
6	U43-12ZP	Lockwasher, 3/8 in.	CALL	CALL
7	U30-73ZP	Capscrew, 3/8-16 x 7/8 in.	CALL	CALL
8	C20-77	Gasket	CALL	CALL
9	U109-433SS	Shaft Seal (Replaces U109-220, effective 8/00)	200.27	240.64
10	C23-58	Shaft Sleeve	189.51	227.72
11	C20-101	Gasket, Sleeve	4.88	5.86
12	C105-224DG	Impeller (Silicon Brass) (Models: CCMH-136, CCM2H-136, CCM2H-136S, CCMH3-136S, CCM2H3-136, CCM2H3-136S, CMH-136, CMH3-136, CM2H-136, CM2H3-136)	1153.23	1385.72
12	C105-224DF	Impeller (Silicon Brass) (Models: CCHH-137S, CCHH3-137S, CCH2H-137S, CCH2H3-137, CCH2H3-137S, CCH-137, CHH3-137, CH2H3-137)	1106.93	1330.09

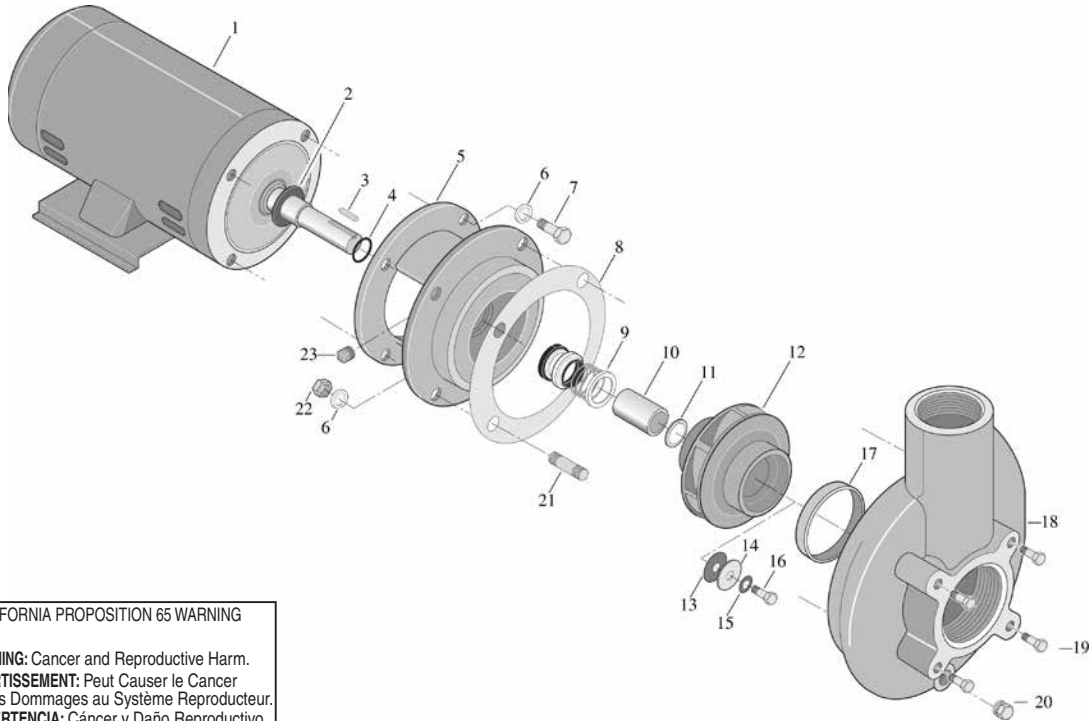
Item	Part No.	Description	US List	Can. List
13	C20-100	Gasket, Impeller	4.88	5.86
14	C43-45SS	Washer, Impeller	9.39	11.28
15	C43-46	Washer, Stat-O-Seal	8.35	10.03
16	U30-72SS	Screw, Impeller 3/8-16 x 3/4 in.	6.37	7.65
17	C23-40	Wear Ring Only	CALL	CALL
18	C101-167	Volute Assembly (Incl. 17 Only) (Models CCMH-136, CCM2H-136, CCM2H-136S, CCMH3-136S, CCM2H3-136, CCHH-137S, CCHH3-137S, CCH2H-137S, CCH2H3-137, CCH2H3-137S)	704.18	846.14
18	C101-167D	Volute Assembly (Incl. 17 Only) (Models CMH-136, CMH3-136, CM2H-136, CM2H3-136, CHH-137, CHH3-137, CH2H3-137)	2162.70	2598.70
20	U78-941ZPV	Pipe Plug, 1/4 in. NPT, Hex Head	2.42	2.91
21	U30-22SS	Stud, 3/8-16 x 1/16 in.	11.38	13.67
22	U36-38ZP	Nut, Hex 3/8 x 16 - (Models CCMH-136, CCM2H-136, CCM2H-136S, CCMH3-136S, CCM2H3-136, CCM2H3--136S, CCHH-137S, CCHH3-137S, CCH2H-137S, CCH2H3-137, CCH2H3-137S)	CALL	CALL
23	U78-57SSS	Pipe Plug, 1/4 in. NPT	CALL	CALL

Note: Model numbers with a "3" in them indicate a 3-Phase motor. Model numbers with a "2" in them indicate a 200V motor.

Note: C Series with different hydraulic numbers (CCMH-93) are older models that use different parts. Consult factory for older models.

# C/CC SERIES™ CENTRIFUGAL PUMP

## 5 HP MODEL REPLACEMENT PARTS



CALIFORNIA PROPOSITION 65 WARNING

⚠️ **WARNING:** Cancer and Reproductive Harm.  
 ⚠️ **AVERTISSEMENT:** Peut Causer le Cancer et des Dommages au Système Reproducteur.  
 ⚠️ **ADVERTENCIA:** Cáncer y Daño Reproductivo.  
[www.p65warnings.ca.gov](http://www.p65warnings.ca.gov) P81201714

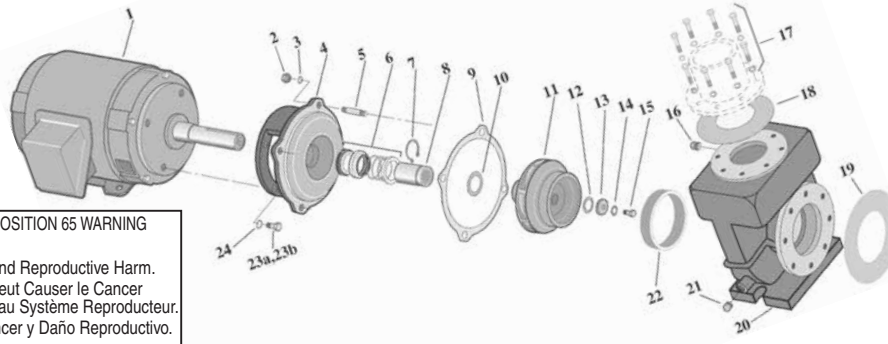
Item	Part No.	Description	US List	Can. List
<b>CENTRIFUGAL PUMP - C/CC SERIES 5 HP</b>				
1	C218-180	Motor 230V/60H/1 Ph.	4010.56	4819.08
1	C218-182	Motor 230/460V/60H/3 Ph.	CALL	CALL
1	C218-181	Motor 200V/60H/3 Ph.	CALL	CALL
3	U65-42A	Key, Impeller	18.82	22.61
4	U9-265	O-Ring	3.82	4.59
5	C2-81	Adapter (Models: CCHJ-138, CCHJ138S, CCHJ3-138S, CCH2J3-138S)	348.43	418.67
5	C2-81D	Adapter (Models: CHJ-138, CH2J3-138, CH2J3-138)	1268.73	1524.51
6	U43-12ZP	Lockwasher, 3/8 in.	CALL	CALL
7	U30-73ZP	Capscrew, 3/8-16 x 7/8 in.	CALL	CALL
8	C20-77	Gasket	CALL	CALL
9	U109-433SS	Shaft Seal	200.27	240.64
10	C23-58	Shaft Sleeve	189.51	227.72
11	C20-101	Gasket, Sleeve	4.88	5.86
12	C105-224DE	Impeller (Silicon Brass)	1133.73	1362.29
13	C20-100	Gasket, Impeller	4.88	5.86
14	C43-45SS	Washer, Impeller	9.39	11.28
15	C43-46	Washer, Stat-O-Seal	8.35	10.03
16	U30-72SS	Screw, Impeller 3/8-16 x 3/4 in.	6.37	7.65

Item	Part No.	Description	US List	Can. List
17	C23-40	Wear Ring Only	CALL	CALL
18	C101-167	Volute Assembly (Incl. 17 Only) (Models: CCHJ-138, CCHJ138S, CCHJ3-138S, CCH2J3-138S)	704.18	846.14
18	C101-167D	Volute Assembly (Incl. 17 Only) (Models: CHJ-138, CH2J3-138, CH2J3-138)	2162.70	2598.70
20	U78-941ZPV	Pipe Plug, 1/4 in. NPT, Hex Head	2.42	2.91
21	U30-22SS	Stud, 3/8 - 16 x 1-1/4 in.	11.38	13.67
22	U36-38ZP	Nut, Hex 3/8 x 16 in. (Models: CCHJ-138, CCHJ138S, CCHJ3-138S, CCH2J3-138S)	CALL	CALL
23	U78-57SSS	Pipe Plug, 1/4 in. NPT	CALL	CALL

Note: Model numbers with a "3" in them indicate a 3-Phase motor. Model numbers with a "2" in them indicate a 200V motor.

Note: C Series with different hydraulic numbers (CCMH-93) are older models that use different parts. Consult factory for older models.

# CSPH/CCSPH SERIES™ PUMP REPLACEMENT PARTS



**CALIFORNIA PROPOSITION 65 WARNING**  
**⚠ WARNING:** Cancer and Reproductive Harm.  
**⚠ AVERTISSEMENT:** Peut Causer le Cancer et des Dommages au Système Reproducteur.  
**⚠ ADVERTENCIA:** Cáncer y Daño Reproductivo.  
[www.p65warnings.ca.gov](http://www.p65warnings.ca.gov)

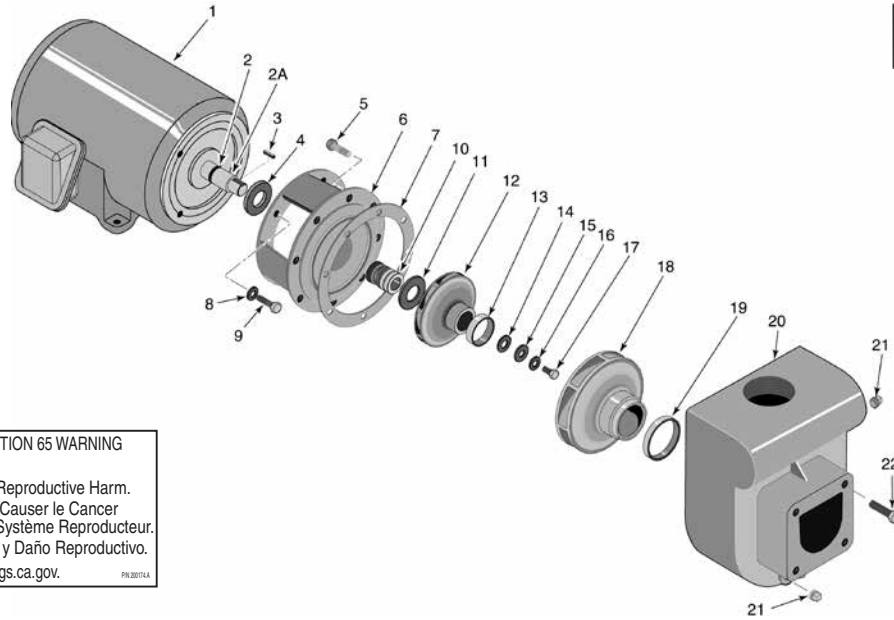
Item	Part No.	Description	US List	Can. List
<b>230 VOLT/1 PHASE OR 230/460 VOLT/3 PHASE</b>				
1	S22351	Motor 230V/1 Ph. - 7-1/2 HP (Models: CSPHK-1421, CCSPHK-1421, CSPHK3-1422, CCSPHK3-1422)	7321.56	8797.58
1	62500-0101	Motor 230V/1 Ph. - 10 HP (Models: CSPHL-143, CCSPHL-143M, CSPHL3-1431, CCSPHL3-1431)	CALL	CALL
1	S22353	Motor 230V/3 Ph. - 7-1/2 HP (Models: CSPHK-1421, CCSPHK-1421, CSPHK3-1422, CCSPHK3-1422)	CALL	CALL
1	S22356	Motor 230V/3 Ph. - 10 HP (Models: CSPHL-143, CCSPHL-143M, CSPHL3-1431, CCSPHL3-1431)	CALL	CALL
1	S22357	Motor 230V/3 Ph. - 15 HP (Models: CSPHM3-1441, CCSPHM3-1441)	CALL	CALL
1	S28574	Motor 230V/3 Ph. - 20 HP (Models: CSPHN3-1451, CCSPHN3-1451)	CALL	CALL
1	16830-0320	Motor 230V/3 Ph. 7-1/2 HP (Models: CSPH2K3-142, CCSPH2K3-142)	4743.22	5699.46
1	16831-0320	Motor 200V/3 Ph. - 10 HP (Models: CSPH2L3-143, CCSPH2L3-143)	5994.28	7202.72
1	16832-0320	Motor 200V/3 Ph. - 15 HP (Models: CSPH2M3-144, CCSPH2M3-144)	6933.50	8331.30
1	16833-0320	Motor 200V/3 Ph. - 20 HP (Models: CSPH2N3-145, CCSPH2N3-145)	10478.96	12591.52
2	S23488	Nut, 1/2 in.	6.56	7.88
3	U43-13SS	Lockwasher, 1/2 in.	CALL	CALL
3	U43-12SS	Lockwasher, 3/8 in. <sup>2</sup>	4.02	4.83
4	L05329	Bracket - 7-1/2 HP (3 Ph. Models)	456.01	547.94
4	L05328	Bracket - 10 HP (CSPH, CSPH2 Models) - 15 HP (CSPH, CSPH2 Models) - 7-1/2 (CSPH, CSPH2 Models)	469.57	564.24
4	L05779	Bracket - 20 HP (CSPH, CSPH2 Models)	842.00	1011.75
4	16830-2201	Bracket - 7-1/2 HP (3 Ph. Models)	1995.86	2398.23
4	16830-2203	Bracket - 10 HP (CCSPH, CCSPH2 Models) - 15 HP (CCSPH, CCSPH2 Models) - 7-1/2 HP (CCSPH, CCSPH2 Models)	2144.01	2576.24
4	16830-2202	Bracket - 20 HP (CCSPH, CCSPH2 Models)	1563.38	1878.56
5	30747-0152	Stud, 1/2-13 x 1-1/2 in.	44.03	52.91
6	S32014	Mechanical Shaft Seal	222.79	267.70
6	S32015	Mechanical Shaft Seal - 20 HP	480.37	577.21
7	S11207	Retaining Ring	29.43	35.36

Item	Part No.	Description	US List	Can. List
7	S16767	Retaining Ring - 20 HP (Models: CSPHN3-1451, CCSPHN3-1451)	65.42	78.61
8	37447-0001L	Shaft Sleeve	CALL	CALL
8	37447-0002L	Shaft Sleeve - 20 HP	CALL	CALL
9	S04757	Gasket (Volute to Bracket)	22.90	27.52
10	33455-8044	Gasket (Impeller to Shaft Sleeve)	10.91	13.11
10	33455-8046	Gasket (Impeller to Shaft Sleeve) - 20 HP	10.91	13.11
11	16830-0209	Impeller - 7-1/2 HP	2202.90	2647.00
11	16830-0210	Impeller- 10 HP	1986.19	2386.61
11	16830-0211	Impeller - 15 HP	2269.71	2727.28
11	16830-0212	Impeller - 20 HP	2725.85	3275.38
12	33455-8043	Gasket (Impeller to Washer)	10.91	13.11
12	33455-8045	Gasket (Impeller to Washer) - 20 HP	10.91	13.11
13	38917-0203	Impeller Washer	100.34	120.57
13	38917-0204	Impeller Washer - 20 HP (Models: CSPHN3-1451, CCSPHN3-1451)	120.42	144.70
14	C43-46SS	Stat-O-Seal Washer	25.31	30.41
14	C43-46SSA	Stat-O-Seal Washer - 20 HP (Models: CSPHN3-1451, CCSPHN3-1451)	32.22	38.72
15	S23566	Capscrew, 3/8-16 x 1 in. <sup>1</sup>	CALL	CALL
15	S23619	Capscrew, 1/2-13 x 1 in. <sup>2</sup>	10.49	12.60
16	U78-57DT	Pipe Plug 1/4 in. NPT	CALL	CALL
17	16830-0400	Hardware Kit	114.51	137.60
18	33450-8042	Gasket (Volute Discharge)	26.71	32.09
19	33450-8041	Gasket (Volute Suction)	37.52	45.08
20	16830-0100	Volute (CSPH, CSPH2)	5364.19	6445.61
20	16830-2102	Volute (CCSPH) - 7-1/2 HP, 10 HP	9754.70	11721.25
20	16830-2103	Volute (CCSPH) - 15 HP, 20 HP <sup>1</sup>	9820.41	11800.20
20	16830-0100	Volute (CSPH2, CSPH2)	5364.19	6445.61
20	16830-2102	Volute (CCSPH2) - 7-1/2 HP, 10 HP	9754.70	11721.25
21	U78-59D	Drain Plug, 1/2 in. NPT	14.70	17.66
22	16830-0120	Wear Ring	169.44	203.60
23A	S23619	Capscrew, 1/2-13 x 1 in. <sup>1</sup>	10.49	12.60
23B	S23566	Capscrew, 3/8-16 x 1 in. <sup>2</sup>	CALL	CALL
24	U43-13SS	Lockwasher, 1/2 in.	CALL	CALL

<sup>1</sup> 7-1/2 HP; 1 Phase only.

<sup>2</sup> 3 Phase only.

# D SERIES™ PUMP REPLACEMENT PARTS



CALIFORNIA PROPOSITION 65 WARNING  
 ⚠️ **WARNING:** Cancer and Reproductive Harm.  
 ⚠️ **AVERTISSEMENT:** Peut Causer le Cancer et des Dommages au Système Reproducteur.  
 ⚠️ **ADVERTENCIA:** Cáncer y Daño Reproductivo.  
[www.p65warnings.ca.gov](http://www.p65warnings.ca.gov) P8 201214

Item	Part No.	Description	US List	Can. List
<b>SELF PRIMING CENTRIFUGAL PUMP - D SERIES</b>				
1	C218-177	Motor 230V/60H/1 Ph. DMH Medium Head: 3 HP, High Head: 3 HP	3184.56	3826.56
1	C218-180	Motor 230V/60H/1 Ph. DMJ Medium Head: 5 HP, High Head: 5 HP	4010.56	4819.08
1	C218-179	Motor 230/460V/60H/3 Ph. DMH Medium Head: 3 HP, High Head: 3 HP	CALL	CALL
1	C218-182	Motor 230/460V/60H/3 Ph. DMJ Medium Head: 5 HP, High Head: 5 HP	CALL	CALL
1	C218-191	Motor 200V/60H/1 Ph. DMH Medium Head: 3 HP, High Head: 3 HP	3184.56	3826.56
1	C218-192	Motor 200V/60H/1 Ph. DMJ Medium Head: 5 HP, High Head: 5 HP	4010.56	4819.08
1	C218-178	Motor 200V/60H/3 Ph. DMH Medium Head: 3 HP, High Head: 3 HP	2651.54	3186.10
1	C218-181	Motor 200V/60H/3 Ph. DMJ Medium Head: 5 HP, High Head: 5 HP	CALL	CALL
2	U9-265	O-Ring	3.82	4.59
2A	C23-58	Sleeve	189.51	227.72
3	U65-42A	Key, Square 3/16 x 3/16 x 7/8 in.	18.82	22.61
4	N/A		CALL	CALL
5	071681	Screw 3/8 x 16 x 7/8 in. HH	CALL	CALL
6	C2-66	Motor Adapter	452.89	544.19
7	C20-46	Gasket, Adapter	12.52	15.04
8	U43-12ZP	Lockwasher, 3/8 in. <sup>1</sup>	CALL	CALL
9	U30-73ZP	Capscrew, 3/8-16 x 7/8 in.	CALL	CALL
10	U109-433SS	Shaft Seal <sup>3</sup>	200.27	240.64
11	C20-101	Gasket, Seal	4.88	5.86
12	C5-246	Impeller <sup>2</sup> - Medium Head: 3 HP	1191.52	1431.73
12	C5-247	Impeller <sup>2</sup> - Medium Head: 5 HP	1180.36	1418.32

Item	Part No.	Description	US List	Can. List
12	C5-248	Impeller <sup>2</sup> - High Head: 3 HP	1172.40	1408.76
12	C5-249	Impeller <sup>2</sup> - High Head: 5 HP	1106.93	1330.09
13	J23-5	Wear Ring (Only)	44.79	53.82
13	C23-14	Wear Ring (Only) - Medium Head: 5 HP	53.93	64.80
14	C20-100	Gasket	4.88	5.86
15	C43-45SS	Washer, Impeller	9.39	11.28
16	C43-46	Gasket	8.35	10.03
17	U30-72SS	Screw, Impeller 3/8-16 x 3/4 in. <sup>1</sup>	6.37	7.65
18	C101-126	Volute Diffuser w/ Wear Ring Medium Head: 3 HP	CALL	CALL
18	C101-126B	Volute Diffuser w/ Wear Ring Medium Head: 5 HP	283.01	340.06
18	C101-132	Volute Diffuser w/ Wear Ring High Head: 3 HP, High Head: 5 HP	283.01	340.06
19	C21-2	Diffuser Ring	8.67	10.42
20	C76-12	Pump Body Medium Head: 3 HP, High Head: 5 HP	1207.17	1450.54
20	C76-12C	Pump Body - Medium Head: 5 HP	1303.57	1566.37
20	C76-12B	Pump Body - High Head: 3 HP	1199.50	1441.32
21	U78-941ZPV	Pipe Plug, 1/4 in. NPT <sup>1</sup>	2.42	2.91
22	U30-60ZP	Capscrew 5/16-18 x 3/4 in.	1.90	2.28
<b>NOT SHOWN</b>				
	U212-68T	Draincock, 1/4 in. NPT <sup>*</sup>	8.81	10.59

<sup>1</sup> Purchase locally.

<sup>2</sup> Change effective 6/97.

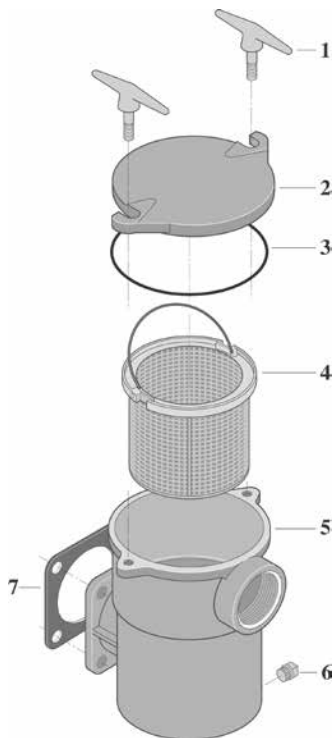
<sup>3</sup> Replaces U109-220 (effective 8/00).

Note: D Series with different numbers (i.e. DMH-64) use different parts. Consult factory for older models.

# CAST IRON SUCTION TRAP ASSEMBLY REPLACEMENT PARTS



**PACKAGE**  
**No. 51**  
**No. 98**  
**No. 74**



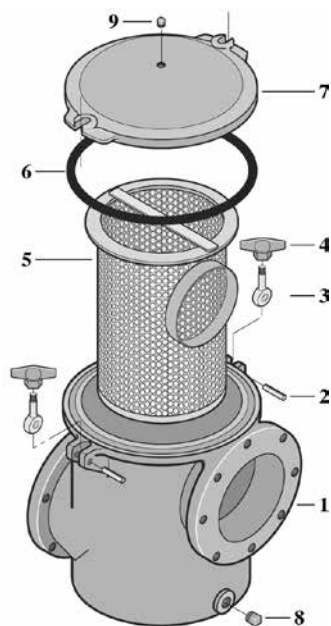
**CALIFORNIA PROPOSITION 65 WARNING**

⚠ **WARNING:** Cancer and Reproductive Harm.  
⚠ **AVERTISSEMENT:** Peut Causer le Cancer et des Dommages au Système Reproducteur.  
⚠ **ADVERTENCIA:** Cáncer y Daño Reproductivo.  
[www.p65warnings.ca.gov](http://www.p65warnings.ca.gov)

Item	Part No.	Description	US List	Can. List
<b>PKG. 51 6-IN. TRAP REPLACEMENT PARTS</b>				
1	C154-18D	Handle Assembly <sup>1</sup>	52.20	62.72
2	C3-30	Cover	119.04	143.04
3	U9-46	Cord Ring	18.52	22.25
4	C108-11P	Strainer Basket	49.56	59.55
5	C53-5B	Trap Body	391.10	469.95
6	U78-57DT	Pipe Plug, 1/4 in. NPT	CALL	CALL
7	C20-19	Gasket	4.40	5.29
<b>PKG. 98 8-IN. TRAP REPLACEMENT PARTS</b>				
1	C154-18D	Handle Assembly <sup>1</sup>	52.20	62.72
2	C3-105	Cover	291.81	350.64
3	U9-171	Cord Ring	24.81	29.81
4	16401-0030	Strainer Basket	620.11	745.12
5	C53-21	Trap Body	1115.72	1340.65
6	U78-57DT	Pipe Plug, 1/4 in. NPT	CALL	CALL
7	C20-19	Gasket	4.40	5.29
<b>PKG. 74 11-IN. TRAP REPLACEMENT PARTS</b>				
1	C154-18D	Handle Assembly <sup>1</sup>	52.20	62.72
2	C3-76	Cover	CALL	CALL
3	U9-105	Cord Ring	CALL	CALL
4	C108-25SS	Strainer Basket	CALL	CALL
5	-	Trap Body		
6	U78-57DT	Pipe Plug, 1/4 in. NPT	CALL	CALL
7	C20-19	Gasket	4.40	5.29

<sup>1</sup> 6 in. - Pkg. 51 has 2 each; 8 in. - Pkg. 98 has 4 each; 11 in. - Pkg. 74 has 4 each.

**PACKAGE**  
**No. 184**  
**No. 184C**  
**No. 184E**  
**No. 184CE**



Item	Part No.	Description	US List	Can. List
<b>STANDARD FLANGE REPLACEMENT PARTS</b>				
1	16401-0010	Strainer Body (Pkg. 184, 184E)	5116.61	6148.12
1	16401-2015	Strainer Body (Pkg. 184C, 184CE) <sup>1</sup>	CALL	CALL
2	35857-0031	Spring Pin	26.71	32.09
3	30767-0011	Toggle Bolt	441.05	529.97
4	35404-0319	Wing Nut	111.37	133.82
5	16401-0102	Strainer Basket	2026.94	2435.57
6	35505-0421	O-Ring	138.01	165.83
7	16401-0210	Strainer Cover (Pkg. 184, 184E)	1100.39	1322.23
7	16401-2215	Strainer Cover (Pkg. 184C, 184CE) <sup>1</sup>	2369.62	2847.34
8	U78-59D	Pipe Plug, 1/2 in. Square Head Brass	14.70	17.66
<b>NOT SHOWN</b>				
	33450-8041	Gasket, 6 in. Pipe Flange	37.52	45.08
	16830-0401	Hardware Kit (includes 16 each 3/4 in. lockwashers, 3/4-10 x 2 in. Capscrews)	333.05	400.19
	61002-0012	Tag, Hazardous Suction	CALL	CALL

<sup>1</sup> Epoxy coated.

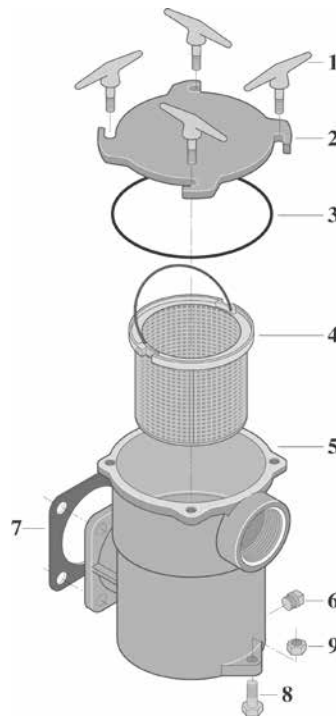


# BRONZE SUCTION TRAP ASSEMBLY

## REPLACEMENT PARTS



**PACKAGE  
No. 56  
No. 99**



Item	Part No.	Description	US List	Can. List
<b>BRONZE TRAP REPLACEMENT PARTS</b>				
1	C154-18D	Lock Handle Assembly	52.20	62.72
2	C3-78D	Cover (Pkg. 56)	334.65	402.12
2	C3-105D	Cover (Pkg. 99)	926.03	1112.72
3	U9-46	O-Ring (Pkg. 56)	18.52	22.25
3	U9-171	O-Ring (Pkg. 99)	24.81	29.81
4	C108-11P	Strainer Basket (Pkg. 56)	49.56	59.55
4	16401-0030	Strainer Basket (Pkg. 99)	620.11	745.12
5	C53-5D	Suction Trap Body (Pkg. 56)	CALL	CALL
5	C53-21D	Suction Trap Body (Pkg. 99)	CALL	CALL
6	U78-57DT	Pipe Plug, 1/4 in. NPT	CALL	CALL
7	C20-19	Gasket, Flange	4.40	5.29
8	U30-77SS	Capscrew, 3/8-16 x 1-3/4 in.	8.20	9.85
9	U36-38ZP	Nut, Hex 3/8-16	CALL	CALL

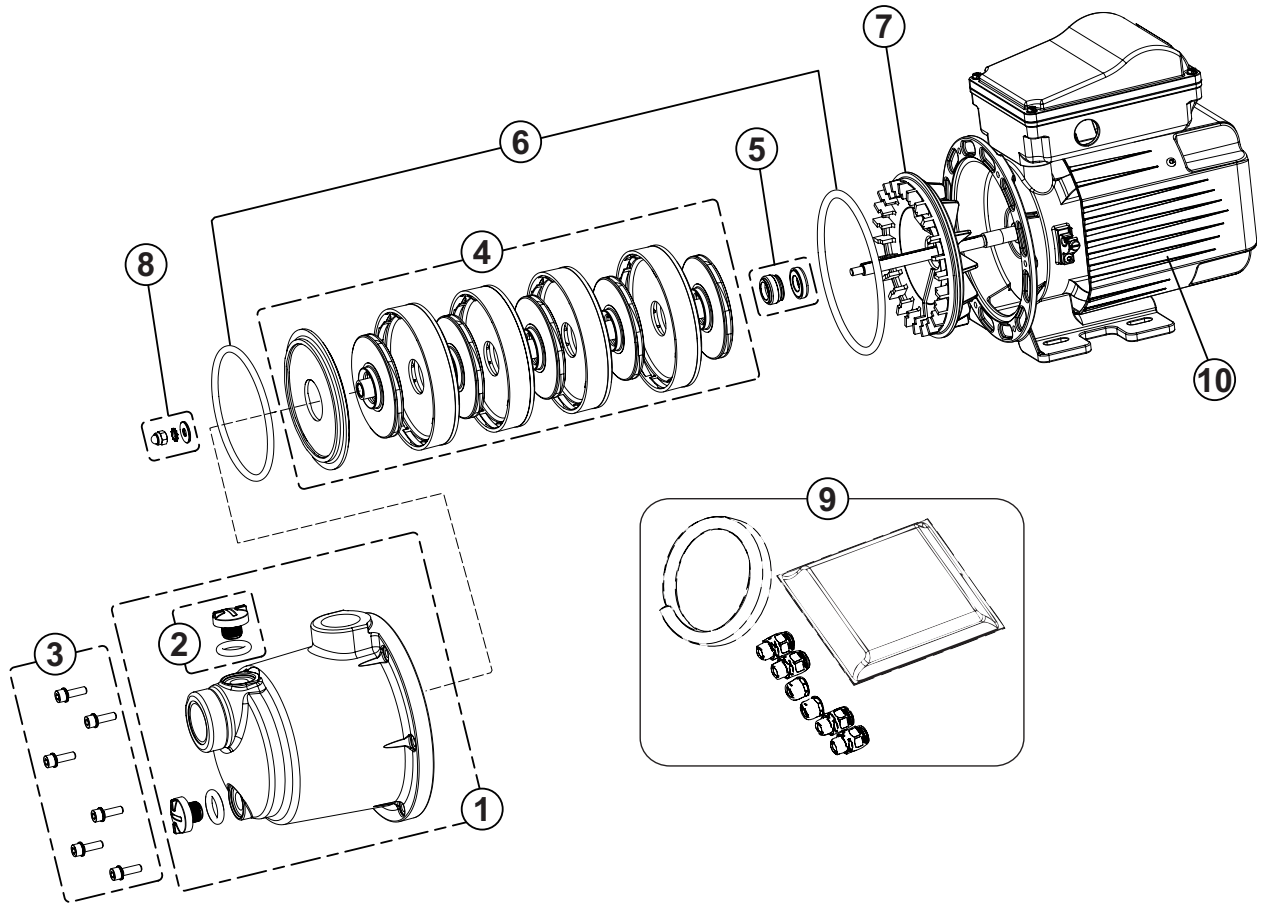
CALIFORNIA PROPOSITION 65 WARNING

⚠ **WARNING:** Cancer and Reproductive Harm.  
 ⚠ **AVERTISSEMENT:** Peut Causer le Cancer et des Dommages au Système Reproducteur.  
 ⚠ **ADVERTENCIA:** Cáncer y Daño Reproductivo.

[www.p65warnings.ca.gov](http://www.p65warnings.ca.gov)
PK120174A

# HYDROBOOST™ BOOSTER PUMP

## REPLACEMENT PARTS



Item	Part No.	Qty.	Description	US List	Can. List
<b>BOOSTER PUMP</b>					
1	ZBR39320	1	PUMP BODY W/ DRAIN PLUGS	92.83	111.54
2	ZBR12160	1	DRAIN PLUGS W/ O-RING KIT*	30.41	36.54
3	ZBR12170	1	BODY PUMP FASTENERS KIT	25.74	30.93
4	ZBR39330	1	HYDRAULIC KIT	192.68	231.52
5	ZBR43920	1	MECHANICAL SEAL KIT	45.51	54.68
6	ZBR12200	1	O-RING KIT	30.03	36.08
7	ZBR12210	1	SEAL PLATE KIT	45.32	54.46
8	ZBR12270	1	END SHAFT FASTENERS KIT	28.39	34.11
9	353020	1	HOSE ADAPTER KIT**	72.68	87.33
10	360519Z	1	MOTOR	CALL	CALL
—	357843	1	FAN SHROUD	CALL	CALL

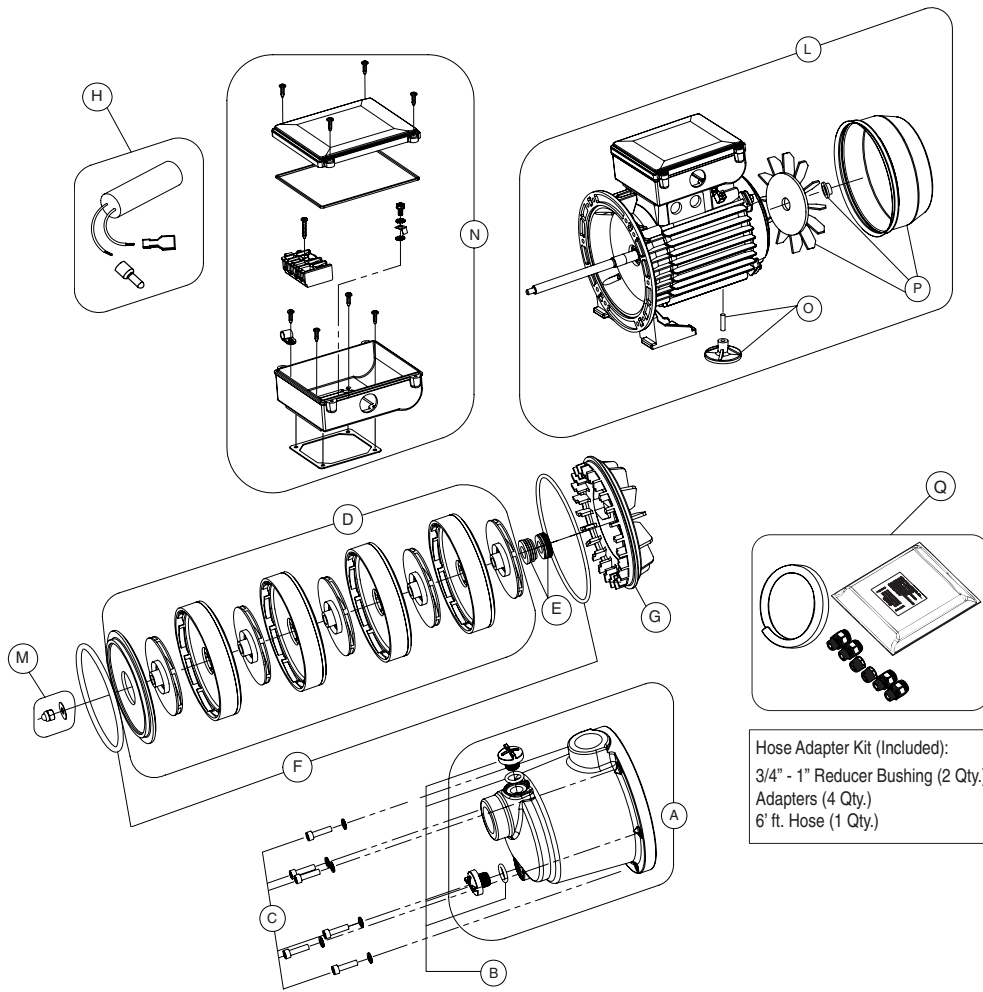
\*INCLUDES (2) DRAIN PLUGS AND (2) O-RINGS; HOUSING NOT INCLUDED.

\*\*INCLUDES (2) REDUCER BUSHINGS, (4) ADAPTERS AND 6 FT. (1.8 M) HOSE.

CALIFORNIA PROPOSITION 65 WARNING  
 ⚠️ **WARNING:** Cancer and Reproductive Harm.  
 ⚠️ **AVERTISSEMENT:** Peut Causer le Cancer et des Dommages au Système Reproducteur.  
 ⚠️ **ADVERTENCIA:** Cáncer y Daño Reproductivo.  
[www.p65warnings.ca.gov](http://www.p65warnings.ca.gov) P/N 201714

# BOOST-RITE® BOOSTER PUMP

## REPLACEMENT PARTS

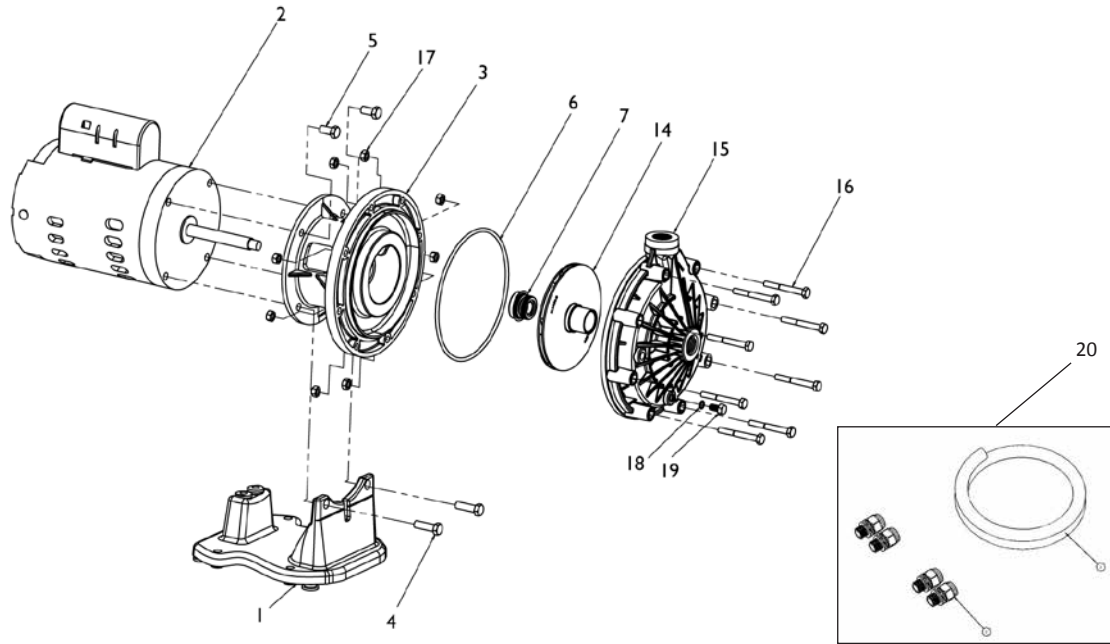


Hose Adapter Kit (Included):  
 3/4" - 1" Reducer Bushing (2 Qty.)  
 Adapters (4 Qty.)  
 6' ft. Hose (1 Qty.)

Item	Part No.	Qty.	Description	US List	Can. List
<b>BOOSTER PUMP</b>					
A	ZBR39320	1	Pump Body Kit w/Drain Plugs	92.83	111.54
B	ZBR12160	2	Drain Plugs with O-Ring Kit - includes (2) drain plugs and (2) O-Rings	30.41	36.54
C	ZBR12170	1	Body Pump Fasteners Kit	25.74	30.93
D	ZBR39330	1	Hydraulic Kit	192.68	231.52
E	ZBR43920	1	Mechanical Seal Kit	45.51	54.68
F	ZBR12200	1	O-Ring Kit	30.03	36.08
G	ZBR12210	1	Seal Plate Kit	45.32	54.46
H	ZBR39340	1	Capacitor Kit	41.06	49.34
L	ZBR39360	1	Complete Motor Assembly	591.64	710.91
M	ZBR12270	1	End Shaft Fasteners Kit	28.39	34.11
N	ZBR39350	1	Capacitor Box Complete Kit	CALL	CALL
O	ZBR26910	1	Base Kit	21.50	25.83
P	ZBR43810	1	Fan Kit	42.50	51.07
Q	353040	1	Hose Kit	96.14	115.52

CALIFORNIA PROPOSITION 65 WARNING  
 ⚠️ **WARNING:** Cancer and Reproductive Harm.  
 ⚠️ **AVERTISSEMENT:** Peut Causer le Cancer  
 et des Dommages au Système Reproducteur.  
 ⚠️ **ADVERTENCIA:** Cáncer y Daño Reproductivo.  
[www.p65warnings.ca.gov](http://www.p65warnings.ca.gov) P# 201744

# BOOSTER PUMP REPLACEMENT PARTS



Item	Part No.	Qty.	Description	US List	Can. List
<b>BOOSTER PUMP</b>					
1	LA41	1	Pump stand 99, complete with rubber grommets	50.25	60.38
2	LA10NS	1	Motor, 230/115 V, 1 ph, 60 hz, 6.5/13 A	536.24	644.35
3	LA295 *	1	Seal bracket	CALL	CALL
4	LA136	2-PK	Bolt 3/8-16 x 1-1/4 in., 2 req.	CALL	CALL
5	LA135	2-PK	Bolt 3/8-16 x 3/4 in., 2 req.	CALL	CALL
6	LA415 *	1	O-ring for seal bracket	5.68	6.83
7	071734S	1	Seal (PS1000) - Set includes both cap and bellows	45.47	54.64
14	LA05L *	1	Impeller (new style)	64.81	77.88
14	LA02L	1	Impeller (old style)	60.87	73.14
15	LA39534 *	1	Volute	82.77	99.46
16	LA115	2-PK	Bolt	5.28	6.34
17	LA125	2-PK	Nut	5.08	6.10
18	LA375 *	1	O-ring for drain plug	1.60	1.92
19	EB20 *	2-PK	Drain plug	4.72	5.67
20	353020	1	Hose kit: 4 plastic fittings and 1-6 ft. white hose. (built after 2005)	72.68	87.33
<b>NOT SHOWN</b>					
	LD10	2-PK	Hose washer (built prior to 2005), steel with black hose	2.18	2.62
	370239	1	Adapter Kit - 4 hose adapters in a bag; no hose	47.20	56.72

\* Recommended for stock.

**Note: Pumps and replacement motors that are single speed and one (1) Total HP or greater cannot be sold, offered for sale, or installed in a residential pool for filtration use in California, Title 20 CCR sections 1601-1609.**

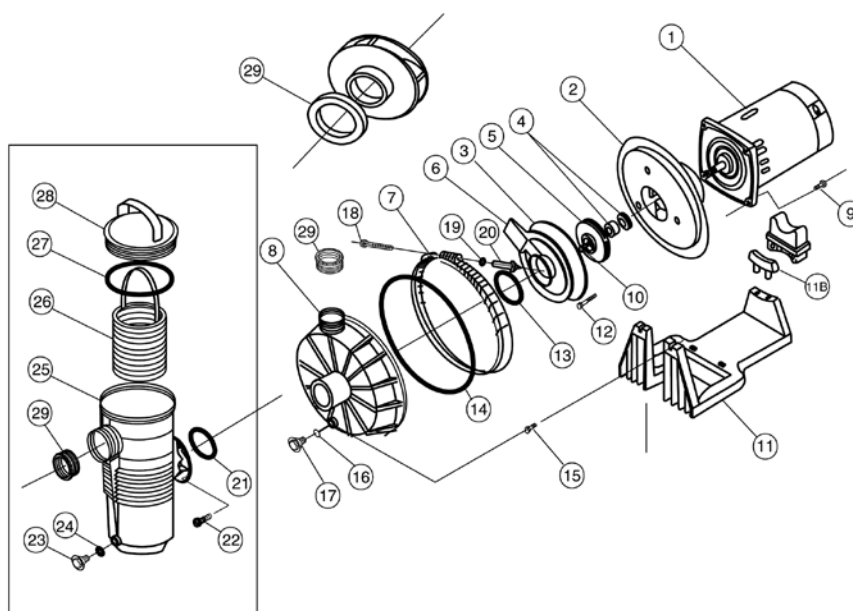
CALIFORNIA PROPOSITION 65 WARNING

⚠️ **WARNING:** Cancer and Reproductive Harm.  
 ⚠️ **AVERTISSEMENT:** Peut Causer le Cancer et des Dommages au Système Reproducteur.  
 ⚠️ **ADVERTENCIA:** Cáncer y Daño Reproductivo.

[www.p65warnings.ca.gov](http://www.p65warnings.ca.gov)
PR2017A

# WATERFALL SPECIALTY PUMP

## REPLACEMENT PARTS



Item	Part No.	Description	US List	Can. List
<b>WATERFALL PUMPS</b>				
1	355218S	Motor, AF-75 & 120, AFP-75 & 120, 37 lbs.	524.49	630.23
1	355222S	Motor, AF-180, AFP-150 & 180, 35 lbs.	626.74	753.09
2	355004	Plate, seal	152.42	183.15
3	355317	Plate, mounting AF-75, AFP-75	22.35	26.86
3	355495	Plate, mounting AF-120 & 180, AFP-120, 150 & 180	20.65	24.81
4	354545S	Seal, 5/8 in. mechanical, PS 200	42.94	51.60
5	355544	Impeller AF-75, AFP-75	110.81	133.15
5	355068	Impeller AF-120, AFP-120	83.28	100.07
5	355221	Impeller AF-180, AFP-150 & 180	80.95	97.27
6	355545	Diffuser AF-75, AFP-75	82.77	99.46
6	355069	Diffuser AF-120, AFP-120	56.09	67.40
6	355140	Diffuser AF-180, AFP-150 & 180	75.62	90.86
7	355320	Band, clamp assembly complete	130.00	156.21
8	355302	Housing, front	307.85	369.91
9	U30-74SS	Screw, 3/8 in.-16 SS hex hd., 4 req.	6.56	7.88
10	355389	Screw, impeller locking	2.31	2.78
11	355305	Base, pump <sup>1</sup>	74.22	89.18
11B	355385	Adapter, 5-5/8 in. dia. motor <sup>2</sup>	18.96	22.78
12	355334Z	Screw, No. 8-32 x 1 in. AF-75 & 120, AFP-75 & 120, 3 req.	4.72	5.67
12	355141	Screw, No. 8-32 x 1-1/2 in. AF-180, AFP-150 & 180	10.51	12.63
13	355331Z	O-ring, diffuser	4.72	5.67
14	355329Z	O-ring, front housing	25.19	30.27
15	355335	Screw, 5/16, 18 x 1/2 in. SS hex wsh. hd., (AF models only)	2.31	2.78
16	192115Z	O-ring, drain plug	3.79	4.55
17	154699	Plug, 1/2 in. drain	CALL	CALL
20	175025	Knob (fits clamp w/ captured T-bolt only)	52.76	63.40
21	355330	O-ring, strainer pot flange	2.65	3.18

Item	Part No.	Description	US List	Can. List
22	354265	Screw, 5/16 in., 18 hex wsh. hd., 4 req.	3.21	3.86
23	357161Z	Plug, 1/4 in. drain	7.57	9.10
24	192115Z	O-ring, drain plug	3.79	4.55
25	355300	Strainer pot AFP-75, AFP-120 & 150	219.35	263.57
26	355318Z	Basket, plastic strainer AFP-75 & 120	61.55	73.96
26	355441	Basket, SS strainer AFP-150	283.57	340.74
26	355901	Basket, SS strainer AFP-180	614.69	738.61
27	350013Z	O-ring, lid AFP-75, AFP-120 & 150	5.66	6.80
27	152509Z	Seal, lid AFP-180	11.00	13.22
28	355301	Lid, strainer pot AFP-75, AFP-120 & 150	96.58	116.05
28	355902	Lid, strainer pot AFP-180	112.01	134.59
29	355142	Bushing, impeller nose AF-180, AFP-150 & 180	103.32	124.15
<b>NOT SHOWN</b>				
	355914	Lid strainer pot AFP-75, AFP-120 & 150 Chemical resistant black lid	94.23	113.23
	154527	Wrench, 8-1/2 in., strainer pot AFP-180	43.96	52.82

<sup>1</sup> Pump base (item 11) includes dual radius motor support.

<sup>2</sup> Item 11A, motor support is a replacement part that fits only older style pump bases with rectangular opening.

**Note: Pumps and replacement motors that are single speed and one (1) Total HP or greater cannot be sold, offered for sale, or installed in a residential pool for filtration use in California, Title 20 CCR sections 1601-1609.**

CALIFORNIA PROPOSITION 65 WARNING

⚠️ **WARNING:** Cancer and Reproductive Harm.  
 ⚠️ **AVERTISSEMENT:** Peut Causer le Cancer et des Dommages au Système Reproducteur.  
 ⚠️ **ADVERTENCIA:** Cáncer y Daño Reproductivo.  
[www.p65warnings.ca.gov](http://www.p65warnings.ca.gov)

Product on pages 274–275.

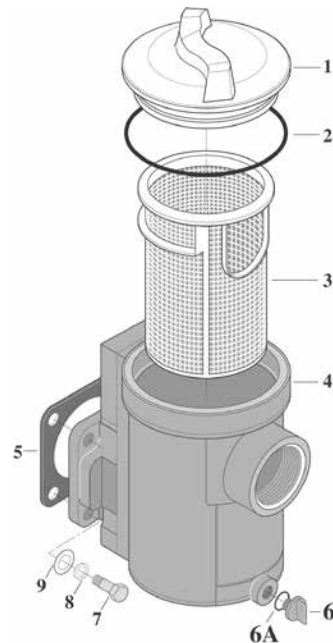
Replacement baskets on page 200.

# PLASTIC SUCTION TRAP ASSEMBLY

## PACKAGE NO 161 - 6 IN. REPLACEMENT PARTS

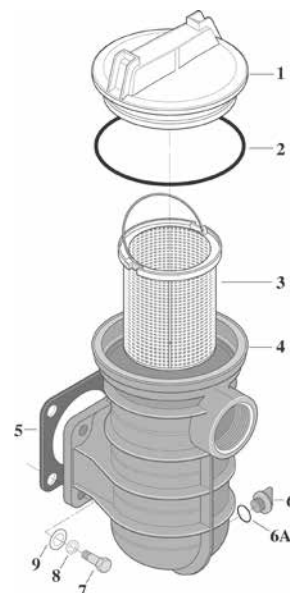


Item	Part No.	Description	US List	Can. List
<b>PKG. 181 6-IN. TRAP REPLACEMENT PARTS</b>				
1	16920-0011	Lid	103.80	124.73
2	16920-0012	O-Ring	30.48	36.62
3	16920-0017	Strainer Basket	44.03	52.91
4	C253-58P	Trap and Adapter Assembly	441.05	529.97
5	C20-123Z	Gasket	13.46	16.17
6	U178-920PZ	Drain Plug, 1/4 in. NPT	7.57	9.10
6A	U9-359	O-Ring	1.14	1.37
7	U30-64SS	Capscrew, 5/16-18 x 1-1/4 in.	5.88	7.07
8	U43-11SS	Lockwasher, 5/16 in.	3.36	4.04
9	U43-41SSZ	Washer, 5/16 in. Flat	3.82	4.59
<b>NOT SHOWN</b>				
	U9-285	Adapter O-Ring	6.54	7.86



## PACKAGE NO 115 - 5 IN. REPLACEMENT PARTS

Item	Part No.	Description	US List	Can. List
<b>PKG. 115 5-IN. TRAP REPLACEMENT PARTS</b>				
1	C3-139P1	Cover	86.53	103.97
2	U9-229Z	O-Ring, Cover	20.18	24.25
3	C108-33PZ	Strainer Basket *	19.14	23.00
4	C153-53P1	Trap Body	161.80	194.42
5	C20-123Z	Gasket	13.46	16.17
6	U178-920PZ	Pipe Plug, 1/4 in. NPT	7.57	9.10
6A	U9-359	O-Ring	1.14	1.37
7	U30-64SS	Capscrew, 5/16 - 18 x 1-1/4 in.	5.88	7.07
8	U43-11SS	Lockwasher	3.36	4.04
9	U43-41SSZ	Washer, Flat	3.82	4.59
<b>NOT SHOWN</b>				
	PKG 115	Complete Suction Trap Assembly	215.78	259.28



**CALIFORNIA PROPOSITION 65 WARNING**

⚠ **WARNING:** Cancer and Reproductive Harm.  
 ⚠ **AVERTISSEMENT:** Peut Causer le Cancer et des Dommages au Système Reproducteur.  
 ⚠ **ADVERTENCIA:** Cáncer y Daño Reproductivo.  
[www.p65warnings.ca.gov](http://www.p65warnings.ca.gov)