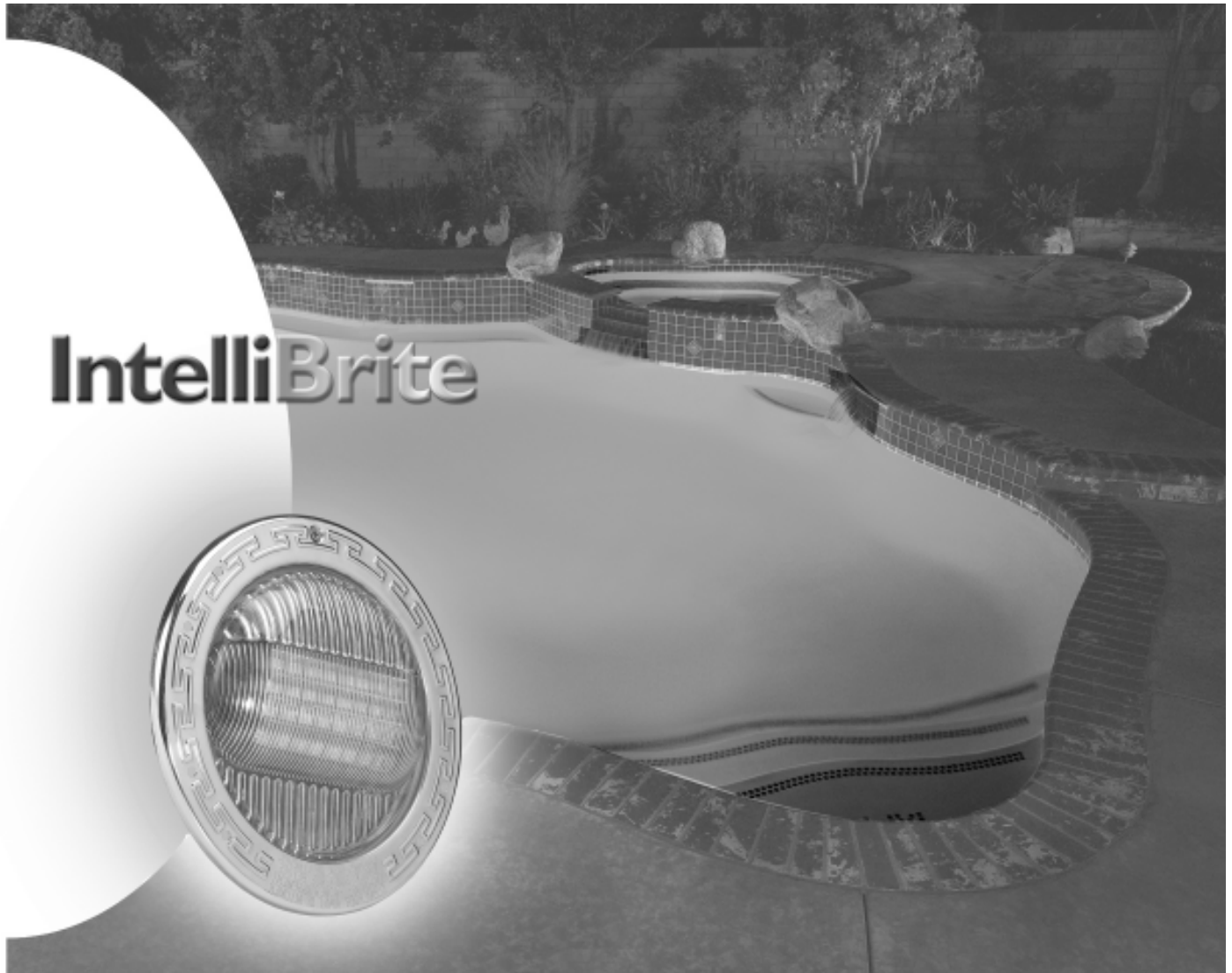


IntelliBrite®

Underwater Pool LED Color-Changing Light



Installation and User's Guide

IMPORTANT SAFETY INSTRUCTIONS
READ AND FOLLOW ALL INSTRUCTIONS
SAVE THESE INSTRUCTIONS

Customer Service

If you have questions about ordering Pentair replacement parts, and pool products, please use the following contact information.

Customer Service and Technical Support (8 A.M. to 4:30 P.M. Eastern Time/Pacific Time)

Phone: (800) 831-7133

Fax: (800) 284-4151

Web site

visit www.pentairpool.com or www.staritepool.com to find information about Pentair products



© 2009 Pentair Water Pool and Spa, Inc. All rights reserved.

This document is subject to change without notice.

1620 Hawkins Ave., Sanford, NC 27330 • (800) 831-7133 • (919) 566-8000
10951 West Los Angeles Ave., Moorpark, CA 93021 • (800) 831-7133 • (805) 553-5000

Trademarks and Disclaimers: IntelliBrite®, IntelliTouch®, EasyTouch®, SAm®, and Pentair Water Pool and Spa® are trademarks and/or registered trademarks of Pentair Water Pool and Spa, Inc. and/or its affiliated companies in the United States and/or other countries. Unless noted, names and brands of others that may be used in this document are not used to indicate an affiliation or endorsement between the proprietors of these names and brands and Pentair Water Pool and Spa, Inc. Those names and brands may be the trademarks or registered trademarks of those parties or others.

Contents

IMPORTANT SAFETY PRECAUTIONS	ii
IntelliBrite® Underwater Pool LED Color-Changing Light	1
IntelliBrite® Pool LED Light Models	1
Using an External Isolating Safety Transformer for IntelliBrite® 12 VAC Lights	1
Operating the IntelliBrite® LED Light Using a Wall Switch	1
Selecting a Light Show Mode or Fixed Color	1
Saving a Color Mode or Fixed Color	2
Hold and Recall Button	2
Powering on the Light	2
Troubleshooting	2
Using an IntelliBrite® Controller (sold separately) Instead of Using a Wall Switch	2
Maximum Wattage when Using Multiple Lights with the IntelliBrite® Controller	2
IntelliBrite® LED Pool Light Installation	3
Installing the IntelliBrite® LED Light Fixture (New Pool Construction)	3
Installing the IntelliBrite® LED Light After Electrical Requirements are Met	3
Replacing the IntelliBrite® LED Light Assembly in an Existing Pool	4
Before Replacing the IntelliBrite® LED Light Fixture	4
Replacing the IntelliBrite® LED Light Fixture After Electrical Requirements are Met	5
Replacing the IntelliBrite® LED Light Assembly	6
Using an External Isolating Safety Transformer for Multiple IntelliBrite® 12 VAC Lights	10
IntelliBrite® Pool Light Replacement Kit Part Numbers	11

IMPORTANT SAFETY PRECAUTIONS



Important Notice – Attention Installer: This manual contains important information about the installation, operation and safe use of this product. This information should be given to the owner and/or operator of this equipment.

⚠ WARNING — Before installing the IntelliBrite® underwater pool LED light, read and follow all warning notices and instructions which are included. Failure to follow safety warnings and instructions can result in severe injury, death, or property damage. Call (800) 831-7133 for additional free copies of these instructions.



DANGER! Risk of Electrical Shock or Electrocution!



This underwater light must be installed by a licensed or certified electrician or a qualified pool serviceman in accordance with the National Electrical Code and all applicable local codes and ordinances. Improper installation will create an electrical hazard which could result in death or serious injury to pool users, installers or others due to electrical shock, and may also cause damage to property. Always disconnect the power to the pool light at the circuit breaker before servicing the light. Failure to do so could result in death or serious injury to serviceman, pool users or others due to electrical shock. **READ AND FOLLOW ALL INSTRUCTIONS IN THIS MANUAL.**



WARNING — Important Safety Information for Pentair Niche and Light Installation

- All Niche and Light installations must conform with all codes. If local codes mandate a cord seal, use Pentair Water Pool and Spa® plastic niches (P/N 79206600 and P/N 79206700).
- Under **no circumstances** replace lights by splicing wire under water or behind niche.



WARNING — RISK OF ELECTRIC SHOCK AND INJURY.

USE ONLY THE INSTALLATION METHOD SPECIFIED BELOW.

Location of Luminaire Use	Pentair Water Pool and Spa® Fountain Fixture* (P/N 560001 and P/N 560000)	Required Installation Method
Swimming Pool and Spa	Wet-Niche Swimming Pool (or Spa) Luminaire (Light)	Fixture Housing (Forming Shell) ONLY. DO NOT USE Fountain Fixture Stand.
Fountain	Wet-Niche Submersible Luminaire (Light) swimming Pool (or Spa) Luminair (Light)	Fixture Housing (Forming Shell) or Fountain Fixture Stand.

(*) **Note:** Wet-niche luminaires complying with requirements for both uses may bare both the Listed Wet-Niche Submersible Luminaires UL Mark. A luminaire not bearing the corresponding UL Listing Mark is not considered by UL to have been produces under UL's Listing and Follow-Up Service for the associated usage location.

⚠ CAUTION - The Pentair Water Pool and Spa® IntelliBrite® LED light fixture must only be used with Pentair Water Pool and Spa® fixture housings (niches). If the IntelliBrite® LED light fixture is installed into other niches, the installation will not carry U.L. approval and will void all warranties.

⚠ WARNING - Salt is an inherently corrosive material. While the levels of salt required for proper operation of an electronic chlorine generator are relatively low when compared to sea water and other salt solutions, placing any amount of salt in your pool increases the likelihood of corrosion or other deterioration of pool equipment and any surfaces used in and around your pool. Metal parts and certain natural and man-made surfaces are particularly susceptible to corrosion and deterioration when used in and around salt water pools. Pentair Water Pool and Spa, Inc. does not represent or otherwise guarantee that the proper use of an electronic chlorine generator will prevent corrosion or other deterioration of pool equipment and any surfaces used in and around your pool. Consult your experienced pool professional, who should be able to advise you on the proper material selection, installation techniques for those materials, and the proper use, care and maintenance of those materials for your specific pool type and location in order to minimize the corrosion and deterioration that is inherent in and around salt water pools.

IntelliBrite® Underwater Pool LED Color-Changing Light

The IntelliBrite® underwater pool LED (light-emitting diode) light system gives you brilliant vivid multi-colors with spectacular effects for your pool. The energy efficient colored LED array can cycle through colors at varying speeds and in different sequences of color. The unique IntelliBrite® lens geometry provides a wider beam for greater underwater light reflection providing increased light intensity. Choose one of the seven pre-programmed color light shows or select one of the five fixed colors to create virtually endless range of dramatic underwater lighting effects.

IntelliBrite® LED lights are fully compatible with IntelliTouch® and EasyTouch® automation systems. For more information about using IntelliBrite® lights with IntelliTouch® and EasyTouch® automation systems, refer to the IntelliTouch® User's Guide (P/N 520102) and the EasyTouch® User's Guide (P/N 520584).

IntelliBrite® Pool LED Light models

The two models of IntelliBrite® Pool LED light are:

IntelliBrite® Pool LED Light, 120 VAC, with integrated 12 VAC transformer, 50 ft. cord length* (P/N 600101)

IntelliBrite® Pool LED Light, 12 VAC, (requires a 12 VAC 60 Hz [50 Hz where applicable] external isolating safety transformer), 50 ft. cord length* (P/N 600104) — (*) cord length vary from 30 ft. to 100 ft.

Using an External Isolating Safety Transformer for IntelliBrite® 12 VAC Lights

For information about using multiple 12 VAC IntelliBrite® lights on an external isolating safety transformer, see [page 10](#).

Operating IntelliBrite® LED lights using a wall switch

IntelliBrite® LED lights can be controlled using a standard wall-mount light switch. Multiple IntelliBrite® LED lights can be connected via a junction box to a single switch so that all lights can be switched on and off together. IntelliBrite® LED lights are controlled by cycling AC power from a standard wall switch. By turning the switch on and off a specific number of times, the light activates one of the seven light show modes, fixed colors, and enables the “Hold” and “Recall” feature.

Selecting a light show mode or fixed color

Switch power on to the light. A white light will momentarily illuminate, followed by the previously selected color. To select a color show mode (1-7) or fixed color (8-12), turn the wall switch off/on a specific number of times. Each number (1-12) shown below corresponds to the number of times to power-cycle the switch to activate a color light show or fixed color. For details about saving color effects while in “show” modes, see “Hold” and “Recall” feature on page 2.

1. **SAm® Mode:** Cycles through white, magenta, blue and green colors (emulates the Pentair SAm® light).
2. **Party Mode:** Rapid color changing building energy and excitement.
3. **Romance Mode:** Slow color transitions creating a mesmerizing and calming effect.
4. **Caribbean Mode:** Transitions between a variety of blues and greens.
5. **American Mode:** Patriotic red, white and blue transition.
6. **California Sunset Mode:** Dramatic transitions of orange, red and magenta tones.
7. **Royal Mode:** Richer, deeper color tones.
8. **Blue:** Fixed color.
9. **Green:** Fixed color.
10. **Red:** Fixed color.
11. **White:** Fixed color.
12. **Magenta:** Fixed color.
13. **Hold:** Save the current color effect during a color light show.
14. **Recall:** Activate the last saved color effect.

Example: To select **California Sunset Mode**; turn the switch off and on six successive times.



Turn
switch
Off/On
six times



During the off/on switching process, no illumination will occur, then a white light will momentarily illuminate.



Followed by the
selected
“California
Sunset Mode”



WARNING: During the off/on switching process, before the selected color is displayed, no illumination will occur. This operating mode is normal during the switching process. During this period the pool and spa will be dark and precautions should be taken to avoid unforeseen accidents. Failure to observe this warning may result in serious injury or death to pool and spa users.

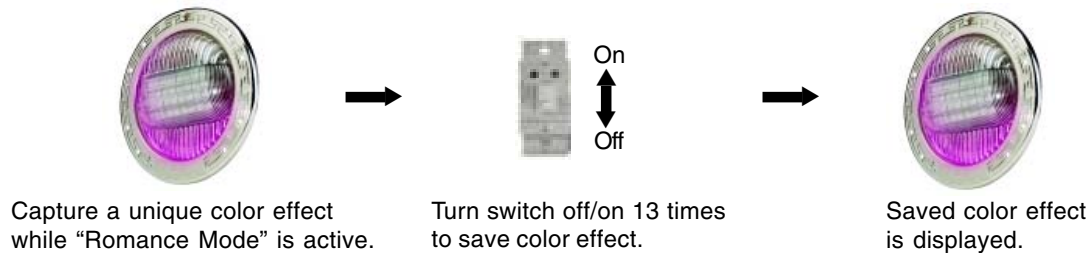
Operating IntelliBrite® LED Lights using a wall switch (Continued)

Saving a color mode or fixed color

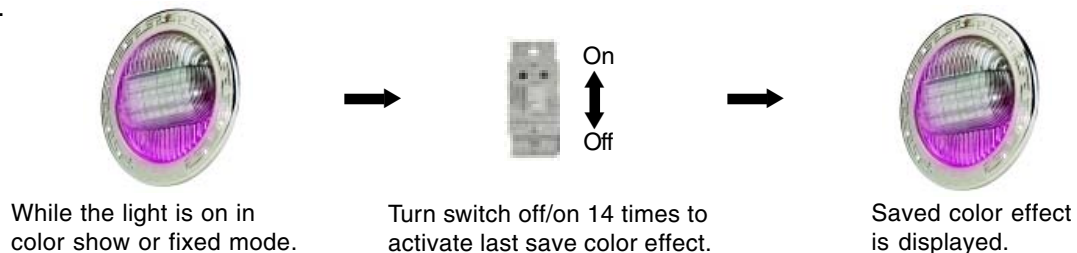
When power is switched **off** to the IntelliBrite® lights, the last color show mode or fixed color will be saved. The next time the light is powered on, the previously saved color show mode or fixed color will be displayed. For example, while in “Party Mode” switch the light off. Wait more than 10 seconds, switch the light back on to resume “Party Mode.”

Hold and Recall feature

Hold: Use the **Hold** feature (power-cycle 13 times) to capture and save a color effect while displaying one of the light show modes. It's easier to capture custom color effects from one of the slower light show modes, such as “Romance Mode” (#3).



Recall: Use the **Recall** feature to activate the last saved color effect (using the **Hold** feature) while in color show mode or fixed colors. To recall the color effect, power-cycle 14 times, and after five seconds the last saved color effect will be displayed.



Powering on the light

When the IntelliBrite® LED light is powered on, a momentarily white light will illuminate, followed by the previously selected color.

Note: If power to the light is off for more than five seconds, the last color show mode or fixed color that was saved will be displayed.

Troubleshooting

Use the following tips to help to resolve problems that might occur while operating the LED light.

Problem	Cause/Action
The light will not illuminate.	Check the ground fault wiring and reset if necessary.
Light does not function properly.	Check the light wiring connection to the junction box at the pool side and to the AC power switch. Be sure that there is proper AC power applied to the light.

Instead of using a wall switch, the IntelliBrite® LED pool light can be used with an IntelliBrite® Controller (sold separately)

The IntelliBrite® Controller [P/N 600054] provides complete control of Pentair Water Pool and Spa® IntelliBrite® underwater LED (light-emitting diode) lights, and IntelliBrite LED landscape lights. It's easy to select a lighting feature, just dial in any one of the pre-programmed color light shows or fixed colors. Using the **Hold** and **Recall** buttons you can also create endless unique lighting effects.

The IntelliBrite® Controller can control individual or multiple IntelliBrite® LED lights. Multiple IntelliBrite® LED lights can be connected via a junction box to an IntelliBrite® Controller so that all lights can be switched on and off together.

Maximum wattage when using multiple lights with IntelliBrite® Controller

When using multiple IntelliBrite® LED lights, the total allowable light wattage is 300 Watts maximum. The following example combination of IntelliBrite® LED lights can be connected to the IntelliBrite® Controller:

- Two (2) IntelliBrite® LED pool lights (each light 70 Watt maximum)
- One (1) IntelliBrite® LED spa light (each light 40 Watt maximum)
- Eight (8) IntelliBrite LED landscape lights (each light 15 Watt maximum)

IntelliBrite® Controller →
[P/N600054]



INTELLIBRITE® LED POOL LIGHT INSTALLATION

The following describes how to install the IntelliBrite® LED light fixture. Read through pages 3 through 9 before starting the installation procedure.

Installing the IntelliBrite® LED light fixture (new pool construction)

BEFORE STARTING: The following steps (1-6) describe the tasks that must be completed by the electrician before the IntelliBrite light fixture is installed. See Figure 1 diagram.

Be sure that the pool meets the requirements of the current National Electrical Code (N.E.C.) Article 680-22 and all local codes and ordinances. A licensed or certified electrician must install the electrical system to meet or exceed those requirements before the underwater light is installed. Some of the requirements of the National Electrical Code which the pool's electrical system must meet are as follows:

- The lighting circuit has a Ground Fault Circuit Interrupter (GFCI) for line voltage models, and has an appropriately rated circuit breaker.
- The Junction Box (or, for 12 volt models, the low voltage transformer) is located at least 8 inches above the maximum water level of the pool and at least 48 inches from the edge of the pool; see Figure 1.
- The light fixture and all metal items within 5 feet of the pool are properly electrically bonded.
- The wet niche is properly installed so that the top edge of the underwater light's lens is at least 18 inches below the surface of the water in the pool; see Figure 1. (Not more than 20" depth in Canada.)
- The wet niche is properly electrically bonded and grounded via the No. 8 AWG ground connector located at the rear of the niche; see Figure 1.

Note: The pool or spa electrical system can be verified with a Pool and Spa Electrical Qualification Test Kit. The test kit is available from Pentair Water Pool and Spa, Inc. The electrical system inspection using this kit must be performed by trained and certified personnel.

- To be certain that the pool's electrical system meets all applicable requirements, the electrician should also consult the local building department.
- Use only Pentair Water Pool and Spa® wet niches to insure proper bonding and grounding connections.

Installing the IntelliBrite® LED light after electrical requirements are met

1. Feed cord through conduit to Junction Box, leaving at least four (4) feet of cord at the light fixture to coil around the light; see Figure 1. This four (4) feet of cord around the light allows the light to be serviced after the pool is filled with water.

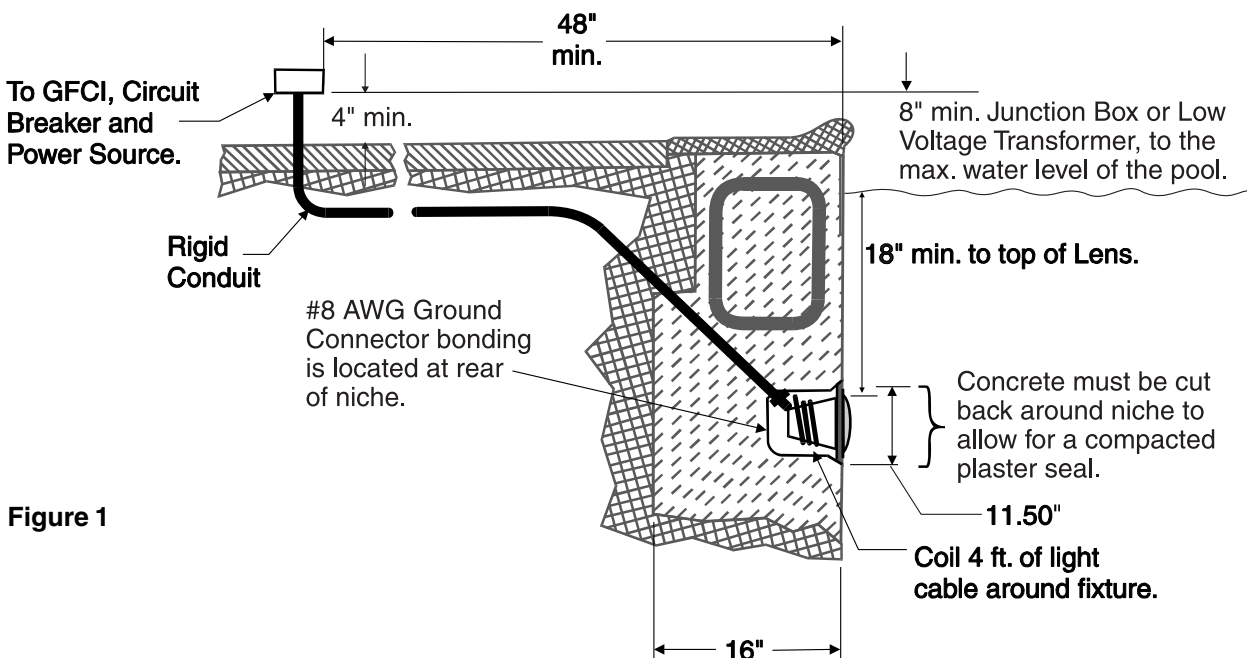


Figure 1

2. Cut the cord at the Junction Box, leaving at least six (6) inches of cord to make connections.
3. Strip back six (6) inches of the outer cord jacket to expose the three insulated wires (be careful not to damage the insulation on the three (3) inner wires).
4. Connect all three (3) wires to the corresponding circuit wires in the Junction Box and secure the Junction Box cover in place.

⚠ WARNING - Never operate this underwater light for more than ten (10) seconds unless it is totally submerged in water. Without total submersion, the light assembly will get extremely hot, which may result in serious burns or in breakage of the lens. This may result in serious injury to pool users, installers, or bystanders, or in damage to property.

5. Install the IntelliBrite® light assembly into the niche and tighten the special bronze pilot screw.

⚠ WARNING - Use only the special pilot screw provided with this underwater light. This screw mounts and electrically grounds the housing securely to the mounting ring and wet niche. Failure to use the screw provided could create an electrical hazard which could result in death or serious injury to pool users, installers or others due to electrical shock.

6. Fill the pool until the underwater light is completely submerged in water before operating the light for more than ten (10) seconds. To check for proper operation, switch on the main switch or circuit breaker, as well as the switch which operates the IntelliBrite® underwater light itself.

Replacing the IntelliBrite® LED light assembly in an existing pool

⚠ DANGER! Risk of Electrical Shock or Electrocution!



This underwater light must be installed by a licensed or certified electrician or a qualified pool serviceman in accordance with the National Electrical Code and all applicable local codes and ordinances. Improper installation will create an electrical hazard which could result in death or serious injury to pool users, installers or others due to electrical shock, and may also cause damage to property.

Always disconnect the power to the pool light at the circuit breaker before servicing the light. Failure to do so could result in death or serious injury to serviceman, pool users or others due to electrical shock.

Before replacing the IntelliBrite® LED light fixture

Verify that the pool meets the requirements of the current National Electrical Code and all local codes and ordinances. A licensed or certified electrician must install the electrical system to meet or exceed those requirements before the underwater light is installed. Some of the requirements of the National Electrical Code which the pool's electrical system must meet are as follows:

- The lighting circuit has a Ground Fault Circuit Interrupter (GFCI) for line voltage models, and has an appropriately rated circuit breaker.
- The Junction Box (**or, for 12 VAC models, the low voltage transformer**) is located at least 8 inches above ground level and at least 48 inches from the edge of the pool; see Figure 1.
- The light fixture and all metal items within 5 feet of the pool are properly electrically bonded.
- The wet niche is properly installed so that the top edge of the underwater light's lens is at least 18 inches below the surface of the water in the pool; see Figure 1.
- The wet niche is properly electrically bonded and grounded via the No. 8 AWG ground connector located at the rear of the niche; see Figure 1.

Note: The pool or spa electrical system can be verified with a Pool and Spa Electrical Qualification Test Kit. The test kit is available from Pentair Water Pool and Spa, Inc. The electrical system inspection using this kit must be performed by trained and certified personnel.

- To be certain that the pool's electrical system meets all applicable requirements, the electrician should also consult the local building department.
- Use only Pentair Water Pool and Spa® wet niches to insure proper bonding and grounding connections.

Replacing the IntelliBrite® LED light fixture after electrical requirements are met

⚠ WARNING - Failure to bring the pool's electrical system up to code requirements before installing the underwater light will create an electrical hazard which could result in death or serious injury to pool users, installers, or others due to electrical shock, and may also cause damage to property.

1. **Switch off main electrical switch** or circuit breaker, as well as the switch which operates the IntelliBrite® underwater light itself.
2. **To remove light fixture assembly from the pool.** Remove the special bronze pilot screw at top of face ring. Remove the IntelliBrite® light assembly from the niche and place it on the deck (see page 6 for removal instructions).

⚠ WARNING - Be sure to keep the special pilot screw from this underwater light. This screw mounts and electrically grounds the housing securely to the mounting ring and wet niche. Failure to use the screw provided could create an electrical hazard which could result in death or serious injury to pool users, installers or others due to electrical shock.

3. Remove Junction Box cover, disconnect the light fixture wires, and pull the cord through the conduit.
4. Feed the new light fixture cord through the conduit from the niche to the Junction Box. **Note:** Depending on the length of the conduit, special tools may be required to pull the cord through the conduit.
5. Leave at least four (4) feet of cord to coil around the light fixture; see Figure 1 on page 2. This four (4) feet of cord coiled around the light allows the light to be serviced after the pool is filled with water.
6. Cut the cord at the Junction Box, leaving at least size (6) inches of cord to make connections.
7. Strip six (6) inches of the outer cord jacket from the cord to expose the three (3) insulated wires – be careful not to damage the insulation on the three inner wires.
8. Connect all three (3) wires to the corresponding circuit wires in the Junction Box (black wire to power, white wire to common, and green wire to ground) and secure the Junction Box cover in place.

⚠ WARNING - Never operate this underwater light for more than ten (10) seconds unless it is totally submerged in water. Without total submersion, the light assembly will get extremely hot, which may result in serious burns or in breakage of the lens. This may result in serious injury to pool users, installers, or bystanders, or in damage to property.

9. Replace light assembly into the niche and tighten the special pilot screw.

⚠ WARNING - Use only the special pilot screw provided with this underwater light. This screw mounts and electrically grounds the housing securely to the mounting ring and wet niche. Failure to use the screw provided could create an electrical hazard which could result in death or serious injury to pool users, installers or others due to electrical shock.

10. Fill the pool until the IntelliBrite® underwater LED pool light is completely submerged in water before operating the light for more than ten (10) seconds. Switch on main switch or circuit breaker, as well as the switch which operates the underwater light itself to verify that the light is operating correctly.

Replacing the IntelliBrite® LED light assembly



⚠ D A N G E R !

RISK OF ELECTRICAL SHOCK OR ELECTROCUTION

Always disconnect power to the pool light at the circuit breaker before servicing the light. Failure to do so could result in death or serious injury to installer, serviceman, pool users, or others due to electrical shock.

1. **Turn off main electrical switch or circuit breaker**, as well as the switch which operates the IntelliBrite® LED underwater light itself.
2. Before starting, make sure that you have a new lens gasket (P/N 79101600) and a IntelliBrite® LED pool light assembly ready to install.

⚠ WARNING - Replace the LED light assembly with the same type and wattage. Failure to replace the LED light assembly with the same type will damage the LED light assembly and may cause an electrical hazard resulting in death or serious injury to pool users, installers, or others due to electrical shock, and may also cause damage to property.

⚠ WARNING - Always install a new lens gasket (P/N 79101600) whenever disassembling the IntelliBrite® LED light assembly. Failure to do so may permit water to leak into the assembly which could cause:

- (a) an electrical hazard resulting in death or serious injury to pool users, installers, or others due to electrical shock, or
- (b) breakage of the lens, which likewise could result in serious injury to pool users, installers, or bystanders, or in damage to property.

3. **REMOVING THE INTELLIBRITE® LED LIGHT:** Remove the pilot screw at top of face ring, remove the light assembly from the niche. Place the assembly on the deck. **Note:** It is not necessary to drain down the pool.

Pilot screw



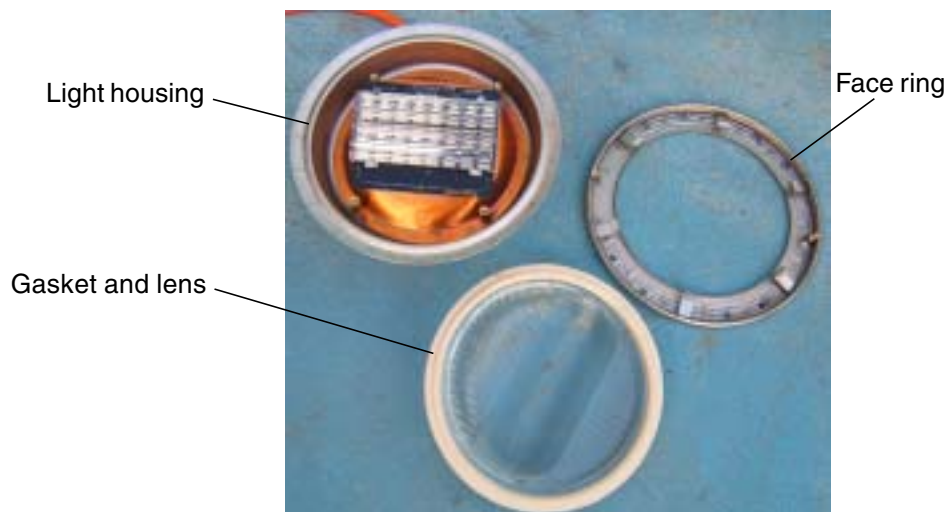
⚠ WARNING - Be sure to keep the pilot screw from the IntelliBrite® LED underwater light. This screw mounts and electrically grounds the housing securely to the mounting ring and wet niche. Failure to use the screw provided could create an electrical hazard which could result in death or serious injury to pool users, installers or others due to electrical shock.

4. Using a ¼" nut driver and a #3 Phillips screwdriver, remove the nut uni-tension wire clamp. Place the nut aside for reinstallation.
5. Remove the face ring and wire clamp from the light housing.

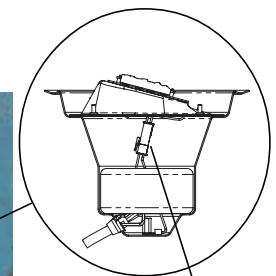
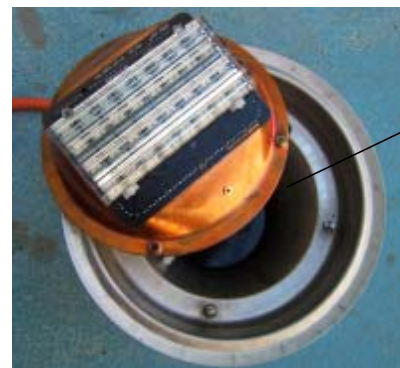
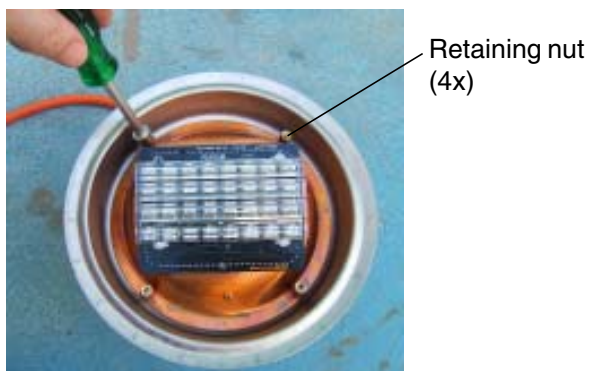


Spring clamp: Remove nut and screw

6. With the light resting on its base, carefully pry off the gasket to remove the lens. Discard the gasket. A NEW LENS GASKET (P/N 79101600) MUST BE USED EACH TIME THE LIGHT IS REASSEMBLED. See page 10 for replacement kit part numbers.

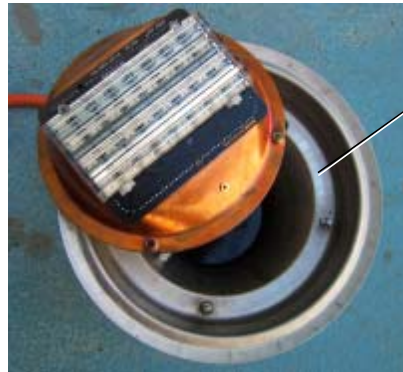


7. Using a ¼" nut driver, carefully remove the four retainer nuts from the LED light assembly. Place the nuts aside for reinstallation.
8. Unplug the LED light assembly connector and remove the assembly from the housing.



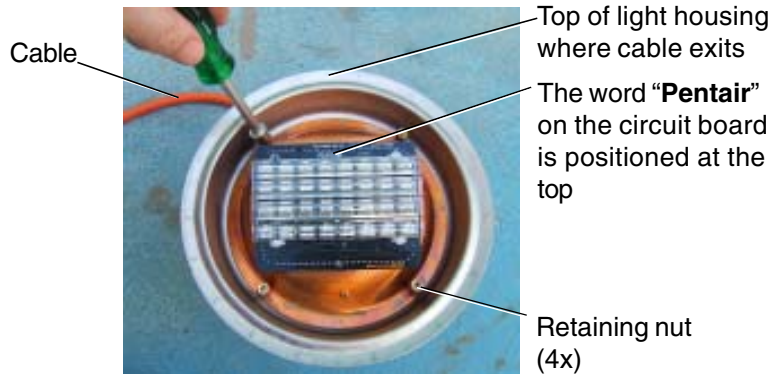
Unplug the LED light assembly connector to remove the light assembly from its housing.

9. **INSTALLING THE INTELLIBRITE® LED LIGHT WITH NEW GASKET:** Install a new gasket (P/N 79101600) during reassembly of the IntelliBrite LED light. A NEW LENS GASKET MUST BE USED EACH TIME THE LIGHT IS REASSEMBLED.
10. Clean the inside surface containing the four mounting studs with isopropyl alcohol. Be sure to keep the underside of the new IntelliBrite® LED assembly clean.



Clean this surface before installing the light assembly

11. Connect the IntelliBrite® LED light plug to the connector in the light housing. Lower the LED light assembly into the light housing. Be sure that there are no wires caught between the housing and the back of the light assembly.
12. Orientate the light assembly so that the word "**Pentair**" on the circuit board is positioned at the top (where cable exits) as shown below.



Cable

Top of light housing where cable exits

The word "**Pentair**" on the circuit board is positioned at the top

Retaining nut (4x)

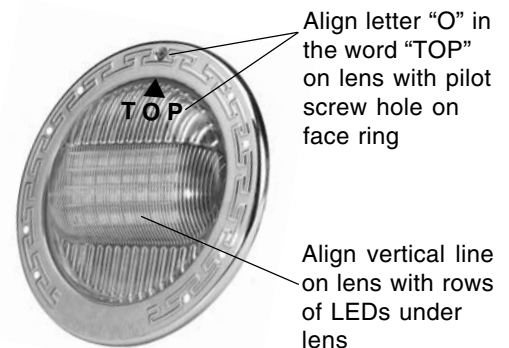
13. With the housing resting on its base, carefully align the four screws holes of the light assembly and the housing base. Using a ¼" nut driver, secure the light assembly in place with the four (4) retaining nuts.
14. **Install the new gasket onto the lens:**

a) With the light housing resting on its base, place the lens then the gasket on top of the light housing.

b) Place the face ring on top of the gasket. Make sure that the lens and gasket are centered correctly on the lighthouseing.

c) **Aligning the face ring and lens:** Align the face ring and lens so that the letter "O" in the word "TOP" (and the small arrow above it) on the surface of the lens points to the pilot screw hole on the face ring.

d) **Aligning the lens position with the LEDs:** While looking through the front of the lens, slightly rotate the lens until the vertical lines on the lens are in focus with the four (4) rows of LEDs below.

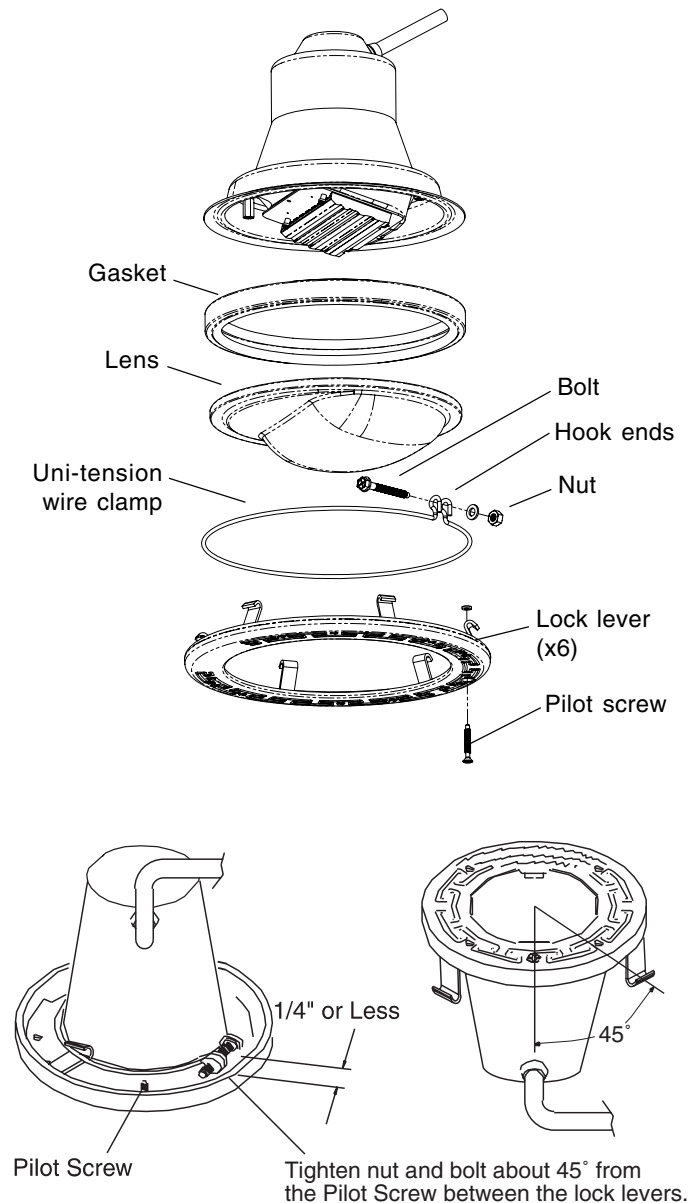


Align letter "O" in the word "TOP" on lens with pilot screw hole on face ring

Align vertical line on lens with rows of LEDs under lens

15. With the hook ends of the circular uni-tension wire clamp pointing down, spread the clamp and place it in the “U” recesses of the locking levers. Be sure the hook ends of the clamp are located between the pair of locking levers as shown below and that the wire clamp is properly engaged with all of the lock levers.
16. Place a cloth on the ground to protect the lens. Turn the light over so the lens is resting on the cloth. Tighten the bolt and nut until the distance between the ends of the clamp equals $\frac{1}{4}$ -in or less.
17. Install the light assembly into the niche and tighten special pilot screw.

⚠ WARNING - Use only the special pilot screw provided with this underwater light. This screw mounts and electrically grounds the housing securely to the mounting ring and wet niche. Failure to use the screw provided could create an electrical hazard which could result in death or serious injury to pool users, installers or others due to electrical shock.

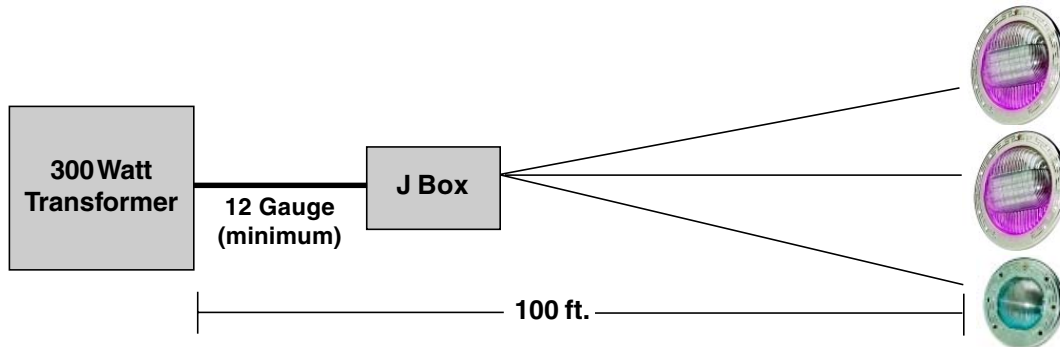


18. Before powering on the IntelliBrite® LED light, be sure the IntelliBrite® LED light is completely submerged in the water. The light should **never** be powered on out of the water for more than 10 seconds.

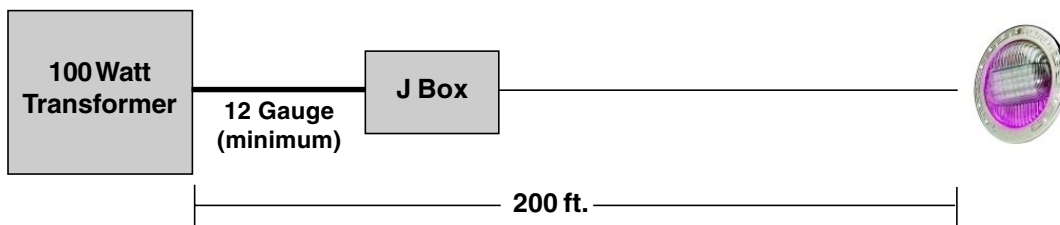
⚠ WARNING - Never operate the underwater light for more than 10 seconds unless it is totally submerged in water. Without total submersion, the light assembly will get extremely hot and may result in serious burns or in breakage of the lens. This may result in serious injury to pool users, installers, or bystanders, or in damage to property.

Using an External Isolating Safety Transformer for Multiple IntelliBrite® 12 VAC Lights

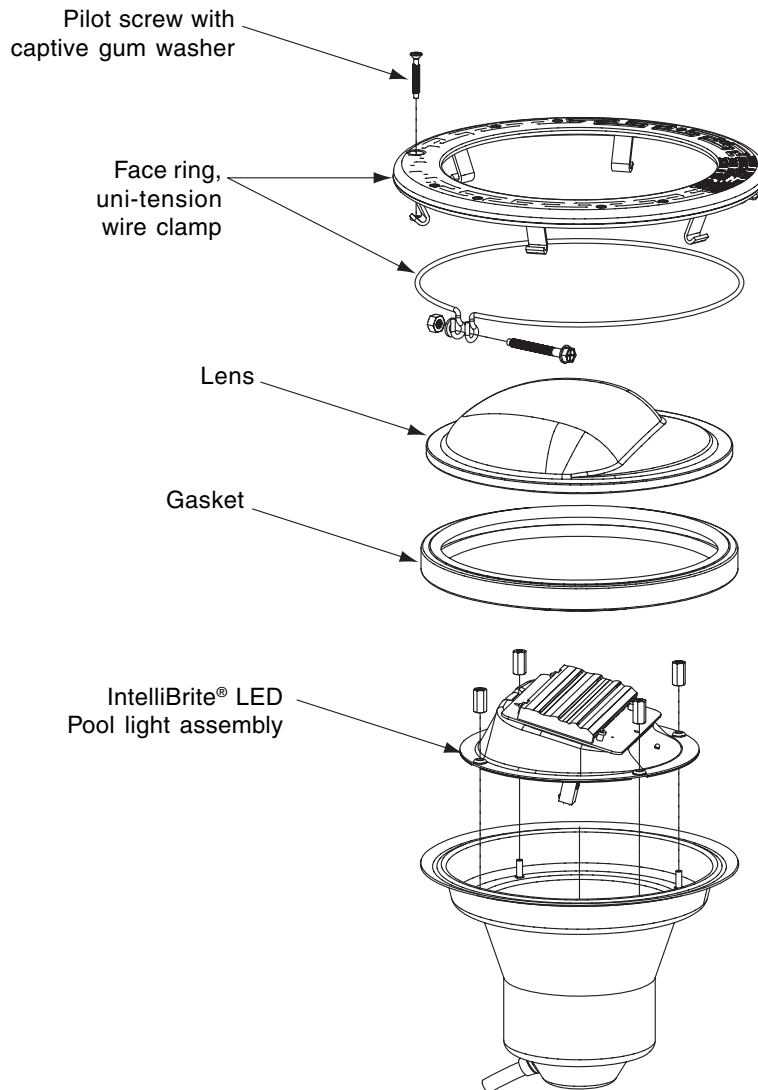
When using multiple IntelliBrite® 12 VAC LED lights on a **300 Watt** transformer, it is recommended that no more than two (2) IntelliBrite® pool lights and one (1) IntelliBrite® Spa light be used. It is also recommended not to exceed 100 feet of total cable run between the transformer and light (see diagram below).



If a longer cable run is necessary, it is recommended that separate **100 Watt** transformers be used for each light with no more than 200 feet of total cable run between the transformer and light (see diagram below).



IntelliBrite® Pool Light Replacement Kit Part Numbers



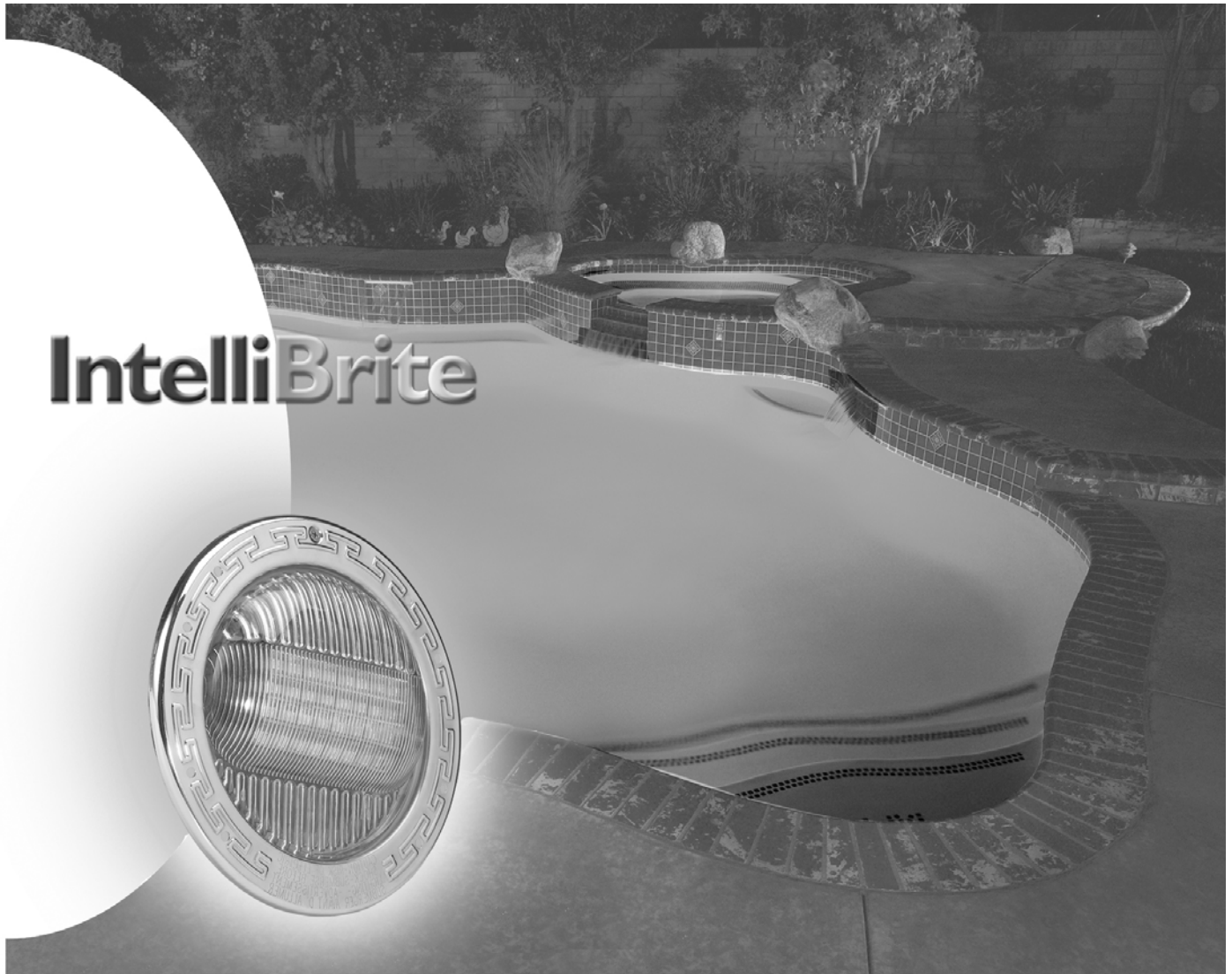
Kit Part No.	Description
600095	Face Ring assembly, stainless steel - Uni-tension wire clamp assembly - Gasket, 8-3/8 in. diameter, off white
600096	Gasket, 8-3/8 in. diameter, off white - Lens, IntelliBrite®, Pool, 8-3/8 in. diameter, tempered
600076	Light assembly, IntelliBrite® LED Pool - Gasket, 8-3/8 in. diameter, off white
79104800	Pilot screw, with captive gum washer
79101600	- Gasket, 8-3/8 in. diameter, off white

Note: A 12 VAC 60 Hz (50 Hz where applicable) external isolating safety transformer is required for the 12 VAC model IntelliBrite® LED Pool light. See [page 1](#) for more information.



IntelliBrite™

Lámpara Submarina de LED para Piscinas que Cambia de Color



Guía de Instalación y del Usuario

INSTRUCCIONES IMPORTANTES DE SEGURIDAD
LEA Y OBSERVE TODAS LAS INSTRUCCIONES
GUARDE ESTAS INSTRUCCIONES

Servicio al Cliente

Si tiene preguntas acerca de cómo ordenar piezas de repuesto Pentair y productos de piscinas, por favor use la siguiente información de contacto.

Servicio al Cliente /Soporte Técnico (8 a.m. a 4:30 p.m. Hora del Pacífico)

Teléfono: (800) 831-7133

Fax: (800) 284-4151

Sanford, Carolina del Norte (8 a.m. a 4:30 p.m. Hora del Este)

Teléfono: (919) 566-8000

Fax: (919) 566-8920

Moorpark, California (8 a.m. a 4:30 p.m. Hora del Pacífico)

Teléfono: (805) 553-5000 (Ext. 5591)

Fax: (805) 553-5515

Sitio Web

Visite www.pentairpool.com o www.staritepool.com para encontrar información acerca de los productos Pentair



© 2009 Pentair Water Pool and Spa, Inc. Todos los derechos reservados.

Este documento está sujeto a cambios sin previo aviso.

1620 Hawkins Ave., Sanford, NC 27330 • (800) 831-7133 • (919) 566-8000
10951 West Los Angeles Ave., Moorpark, CA 93021 • (800) 831-7133 • (805) 553-5000

Marcas registradas y exenciones de responsabilidad: IntelliBrite™, IntelliTouch™, EasyTouch™, SAm™, y Pentair Water Pool and Spa™ son marcas registradas de Pentair Water Pool and Spa, Inc. y/o sus compañías afiliadas en los Estados Unidos y/u otros países. A menos que sea indicado, los nombres y marcas de otros que puedan ser utilizados en este documento no son utilizados para indicar una afiliación o endoso entre los propietarios de estos nombres y marcas y Pentair Water Pool and Spa, Inc. Esos nombres y marcas podrían ser las marcas registradas de esas partes u otros.

Contenido

PRECAUCIONES IMPORTANTE DE SEGURIDAD	ii
Lámpara submarina de LED IntelliBrite™ para piscinas que cambia de color	1
Modelos de las lámparas de LED IntelliBrite™ para piscinas	1
Uso de un transformador aislado de seguridad externo para las lámparas IntelliBrite™ de 12 VCA	1
Funcionamiento de la lámpara de LED IntelliBrite™ con un interruptor de pared	1
Selección de un modo de espectáculo lumínico o color fijo	1
Guardar un modo de color o un modo de color fijo	2
Botón para capturar y traer a la memoria	2
Encendido de la lámpara	2
Localización y solución de problemas	2
Uso de un Regulador IntelliBrite™ (vendido por separado) en lugar de usar un interruptor de pared	2
Vataje (wattage) máximo al usar múltiples lámparas con el Regulador IntelliBrite™	2
Instalación de la lámpara de LED IntelliBrite™ para piscinas	3
Instalación de la lámpara de LED IntelliBrite™ (construcción de piscinas nuevas)	3
Instalación de la lámpara de LED IntelliBrite™ luego de cumplir los requisitos eléctricos	3
Reemplazo del ensamblaje de la lámpara de LED IntelliBrite™ en un piscina existente	4
Antes de reemplazar la lámpara de LED IntelliBrite™	4
Reemplazo de la lámpara de LED IntelliBrite™ luego de cumplir con los requisitos eléctricos	5
Reemplazo de la unidad de la lámpara de LED IntelliBrite™	6
Uso de un transformador aislado de seguridad externo para múltiples lámparas IntelliBrite™ de 12 VCA	10
Números de los kits de piezas de repuesto para las lámparas IntelliBrite™ para piscinas	11

PRECAUCIONES IMPORTANTE DE SEGURIDA



Aviso importante – Atención instalador: Este manual contiene información importante acerca de la instalación, funcionamiento y uso sin peligros de este producto. Esta información debe ser proporcionada al propietario y/o operador de este equipo.

⚠ ADVERTENCIA — Antes de instalar esta lámpara submarina de LED IntelliBrite™, lea y observe todas las advertencias, avisos e instrucciones que acompañan esta lámpara. El no observar las advertencias de seguridad y las instrucciones puede tener consecuencias de lesiones graves, muerte o daños a la propiedad. Llame al (800) 831-7133 para obtener gratuitamente, copias adicionales de estas instrucciones.



¡PELIGRO! ¡Riesgo de descarga eléctrica o electrocución!



Esta lámpara submarina debe ser instalada por un técnico electricista o un electricista certificado o un técnico de piscinas calificado conforme al Código Eléctrico Nacional y todos los códigos y ordenanzas locales pertinentes. Una instalación incorrecta creará un peligro eléctrico que puede resultar en la muerte o lesión seria para los usuarios de la piscina, los instaladores, o a otras personas debido a descarga eléctrica y también podría causar daños a la propiedad. Siempre desconecte la alimentación eléctrica de la lámpara de la piscina en el cortacircuito antes de efectuar el mantenimiento de la lámpara. Dejar de hacer esto puede resultar en la muerte o lesión grave del técnico, los usuarios de la piscina u otras personas debido a descarga eléctrica. LEA Y OBSERVE TODAS LAS INSTRUCCIONES EN ESTE MANUAL.



ADVERTENCIA – Información de seguridad importante para la instalación del nicho y la lámpara Pentair

- Todas las instalaciones del nicho y de la lámpara deben cumplir con todos los códigos. Si los códigos locales exigen un cable sellado, utilice los nichos plásticos de Pentair Water Pool and Spa™ (P/N 79206600 y P/N 79206700).
- Bajo **ninguna circunstancia** sustituya lámparas mediante el empalme de cables bajo el agua o detrás del nicho.



ADVERTENCIA – RIESGO DE DESCARGA ELÉCTRICA Y LESIÓN.

UTILICE SOLAMENTE EL MÉTODO DE INSTALACIÓN ESPECIFICADO A CONTINUACIÓN.

Ubicación de uso de la lámpara	Lámpara para piscinas y fuentes de baños termales de Pentair* (P/N 560001 y P/N 560000)	Método requerido para la instalación
Piscinas y baños termales	Lámpara con nicho en húmedo para piscinas (o baños termales)	SOLAMENTE la carcasa de la lámpara (recubrimiento moldeado). NO UTILICE el pedestal de las lámparas para fuentes.
Fuente	Lámpara con nicho en húmedo sumergible para piscinas (o baños termales)	Carcasa de la lámpara (recubrimiento moldeado) o el pedestal de las lámparas para fuentes.

(*) **Nota:** Los nichos en húmedo para luminarias en cumplimiento con los requisitos para ambos usos podrían tener las dos marcas de Listado UL para lámparas con nicho en húmedo sumergibles. Una luminaria que no tenga la marca de Listado UL correspondiente no es considerada por UL que haya sido producida bajo el Listado y el servicio de seguimiento de UL para la ubicación del uso asociado.

⚠ PRECAUCIÓN – La lámpara de LED IntelliBrite para Pentair Water Pool and Spa™ debe ser usada sólo con carcasas (nichos) para lámparas de Pentair Water Pool and Spa™. Si la lámpara de LED IntelliBrite™ está instalada en otros nichos, la instalación no tendrá la aprobación U.L. y se anularán todas las garantías.

⚠ ADVERTENCIA – La sal es esencialmente un material corrosivo. A pesar de que los niveles de sal requerido para el funcionamiento apropiado de un generador electrónico de cloro es relativamente bajo cuando es comparado a agua de mar y a otras soluciones con sal, la colocación de cualquier cantidad de sal en su piscina incrementa la posibilidad de corrosión u otro deterioro del equipo de la piscina y de cualquier superficie utilizada en o alrededor de su piscina. Las partes de metal y ciertas superficies naturales y creadas por el hombre son particularmente susceptibles a la corrosión y al deterioro cuando son utilizadas en o alrededor de piscinas de agua salada. Pentair Water Pool and Spa, Inc. no representa o de algún otro modo garantiza que el uso apropiado de un generador electrónico de cloro impedirá la corrosión u otro deterioro del equipo de la piscina y de cualquier otra superficie utilizada en o alrededor de su piscina. Consulte con un profesional de piscinas con experiencia, para obtener asesoría acerca de la selección apropiada de materiales, técnicas de instalación para esos materiales, y el uso apropiado, cuidado y mantenimiento de esos materiales para el tipo y ubicación específica de su piscina a fin de minimizar la corrosión y el deterioro que es inherente en y alrededor de piscinas con agua salada.

Lámpara Submarina de LED IntelliBrite™ para Piscinas que Cambia de Color

El sistema de iluminación de la lámpara submarina de LED (diodo emisor de luz) IntelliBrite™ le ofrece multicolores brillantes y lúcidos con efectos espectaculares para su piscina. El arreglo de LED de diferentes colores y de eficiencia energética puede pasar por varios colores a diversas velocidades y en diferentes secuencias de colores. La geometría exclusiva de los lentes de IntelliBrite™ ofrece un rayo de luz más amplio con lo que se logra una mayor reflexión de luz submarina brindando así una mayor intensidad de iluminación. Elija uno de los siete espectáculos lumínicos de colores preprogramados o seleccione uno de los cinco colores fijos para crear prácticamente una gama interminable de efectos de iluminación submarina.

Las lámparas de LED IntelliBrite™ son totalmente compatibles con los sistemas de automatización IntelliTouch™ y EasyTouch™. Para obtener información adicional sobre el uso de las lámparas IntelliBrite™ con los sistemas IntelliTouch™, consulte la Guía del usuario de IntelliTouch™ (P/N 520102) y la Guía del usuario de EasyTouch™ (P/N 520584).

Modelos de las lámparas de LED IntelliBrite™ para piscinas

Los dos modelos de las lámparas de LED IntelliBrite™ para piscinas son:

Lámpara de LED IntelliBrite™ para piscinas, 120 VCA, con transformador integrado de 12 VCA, 50 pies de extensión del cable* (P/N 600101). Lámpara de LED IntelliBrite™ para piscinas, 12 VCA, (requiere un transformador aislado de seguridad externo de 12 VCA (~) 60 Hz [50 Hz cuando sea aplicable]), 50 pies de extensión del cable* (P/N 600104). — (*) la extensión del cable puede variar de 30 pies a 100 pies.

Uso de un transformador aislado de seguridad externo para las lámparas IntelliBrite™ de 12 VCA

Consulte la [página 10](#) para obtener más información sobre el uso de varias lámparas IntelliBrite™ de 12 VCA con un transformador aislado de seguridad externo.

Funcionamiento de la lámpara de LED IntelliBrite™ con un interruptor de pared

Las lámparas de LED IntelliBrite™ pueden ser controladas utilizando un interruptor de iluminación de pared. Se pueden conectar múltiples lámparas de LED IntelliBrite™ a través de una caja de empalmes a un interruptor individual para que todas las lámparas puedan ser encendidas y apagadas en forma simultánea. Las lámparas de LED IntelliBrite™ son controladas por corriente alterna proveniente de un interruptor de pared regular. Mediante el encendido y apagado del interruptor, una cantidad específica de veces, la lámpara activa uno de los siete modos de espectáculo lumínico, de colores fijos y habilita la función de "Capturar" y "Traer a la memoria".

Selección de un modo de espectáculo lumínico o color fijo

Encienda la lámpara. Una luz blanca se encenderá momentáneamente, seguido por el color seleccionado previamente. Para seleccionar un modo de espectáculo lumínico de colores (1-7) o un color fijo (8-12), encienda y apague el interruptor de pared una cantidad específica de veces. Cada número (1-12) mostrado a continuación, corresponde a la cantidad de veces que se debe apagar y encender el interruptor para activar un espectáculo lumínico de colores o un color fijo. Para los detalles sobre cómo guardar los efectos de colores mientras se está en los modos de "espectáculo lumínico", consulte la función de "Capturar" y "Traer a la memoria" en la [página 2](#).

1. **Modo SAM™:** Pasa por los colores blanco, magenta, azul y verde (emula la lámpara Pentair SAM™).
2. **Modo Fiesta:** Cambio de colores rápido que crean un efecto de energía y excitación.
3. **Modo Romántico:** Lenta transición de colores que crean un efecto cautivador y de serenidad.
4. **Modo Caribeño:** Transiciones entre una variedad de azules y verdes.
5. **Modo Americano:** Transición de rojo patriótico, blanco y azul.
6. **Modo Puesta del sol de California:** Dramática transición de tonos en anaranjado, rojo y magenta.
7. **Modo Soberano:** Tonos de colores más profundos y ricos.
8. **Azul:** Color fijo.
9. **Verde:** Color fijo.
10. **Rojo:** Color fijo.
11. **Blanco:** Color fijo.
12. **Magenta:** Color fijo.
13. **Capturar:** Guardar el efecto del color actual durante un espectáculo lumínico de colores.
14. **Traer a la Memoria:** Activar el último efecto de colores guardado.

Ejemplo: Para seleccionar el **Modo Puesta del sol de California**; encienda y apague el interruptor seis veces sucesivamente.



Encienda y apague el interruptor seis veces



Durante el proceso de encendido y apagado del interruptor, no ocurrirá ninguna iluminación, luego una luz blanca se iluminará momentáneamente.



Seguido por el modo seleccionado "Puesta del sol de California"

⚠️ ADVERTENCIA: Durante el proceso de encendido y apagado del interruptor, antes de que el color seleccionado es mostrado, no ocurrirá ninguna iluminación. Este modo de funcionamiento es normal durante el proceso de alternación. Durante este proceso la piscina y el baño termal estarán a oscuras y se deben tomar medidas de precaución para evitar accidentes imprevistos. El incumplimiento de esta advertencia puede resultar en muerte o lesión grave para los usuarios de la piscina o del baño termal.

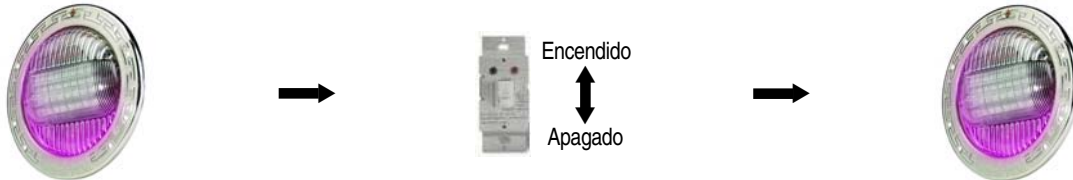
Funcionamiento de la Lámpara de LED IntelliBrite™ con un Interruptor de Pared (continuación)

Guardar un modo de color o un modo de color fijo

Cuando la energía es **apagada** en las lámparas IntelliBrite™, el último modo de espectáculo lumínico o color fijo es guardado. La próxima vez que la lámpara es encendida, el modo de espectáculo lumínico o de color fijo guardado será mostrado. Por ejemplo, mientras esté en "Modo fiesta" apague la lámpara. Espere más de 10 segundos y encienda la lámpara de nuevo para resumir de nuevo el "Modo fiesta".

Función para capturar y traer a la memoria

Capturar: Utilice la función **Capturar** (encienda y apague 13 veces) para capturar y guardar un efecto de color mientras uno de los modos de espectáculo lumínico es mostrado. Es más fácil capturar efectos de colores personalizados de los modos de espectáculo lumínico más lentos, como el "Modo romántico" (Nº. 3).

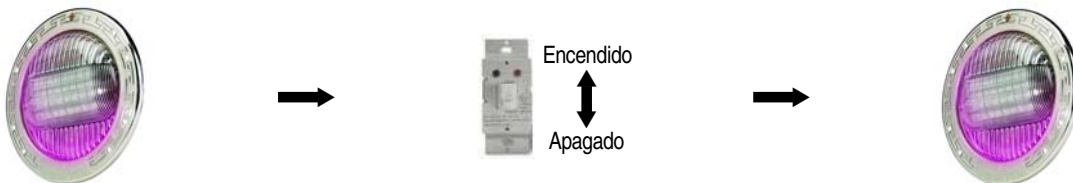


Captura un efecto de color único mientras el "Modo romántico" está activo.

Encienda y apague el interruptor 13 veces para guardar el efecto de color.

El efecto de color guardado es mostrado.

Traer a la memoria: Utilice la función de **Traer a la memoria** para activar el último efecto de color guardado (utilizando la función de **Capturar**) mientras se está en modo de espectáculo lumínico o de colores fijos. Para traer a la memoria el efecto de color, encienda y apague el interruptor 14 veces, y después de cinco segundos el último efecto de color guardado será mostrado.



Mientras la lámpara esté encendida en el modo de espectáculo lumínico o de color fijo.

Encienda y apague el interruptor 14 veces para activar el último efecto de color guardado.

El efecto de color guardado es mostrado.

Encendido de la lámpara

Cuando la lámpara de LED IntelliBrite™ es encendida, una luz blanca se encenderá momentáneamente, seguido por el color seleccionado previamente.

Aviso: Si la lámpara está apagada durante más de cinco segundos, se mostrará el último modo de espectáculo lumínico o de color fijo guardado.

Localización y solución de problemas

Utilice los siguientes consejos para resolver problemas que podrían ocurrir mientras esté en funcionamiento la lámpara de LED.

Problema	Causa / Medida a Tomar
La lámpara no se ilumina.	Verifique el cable de falla de conexión a tierra y restablezca de ser necesario.
La lámpara no funciona adecuadamente.	Verifique la conexión de cables de la lámpara que se encuentra en la caja de empalmes al lado de la piscina y en el interruptor de encendido y apagado. Asegúrese que la energía eléctrica de corriente alterna apropiada sea suministrada a la lámpara.

En lugar de usar un interruptor de pared, la lámpara LED IntelliBrite™ de piscina se puede utilizar con un Regulador IntelliBrite™ (vendido por separado)

El Regulador IntelliBrite™ [N/P 600054] proporciona control completo de las lámparas LED (diodo emisor de luz) IntelliBrite™ subacuáticas de Pentair Water Pool and Spa™ y de las lámparas LED IntelliBrite™ de paisaje. Es fácil de seleccionar una función de iluminación, simplemente maque uno de los colores fijos preprogramados o una de las muestras de colores preprogramadas. También, se puede crear un sinfín de efectos luminosos únicos utilizando los botones **HOLD** y **RECALL**.

El Regulador IntelliBrite™ puede controlar una o varias lámparas LED IntelliBrite™. Múltiples lámparas LED IntelliBrite™ pueden conectarse a través de una caja para conexiones eléctricas con un regulador de IntelliBrite™ para que todas las lámparas puedan ser encendidas y apagadas juntas.

Vataje (wattage) máximo al usar múltiples lámparas con el Regulador IntelliBrite™

Al usar varias lámparas LED IntelliBrite™, los vatios máximos permitidos son 300 vatios. La combinación siguiente es un ejemplo de lámparas LED IntelliBrite™ que se pueden conectar con el regulador IntelliBrite™:

- Dos (2) lámparas LED IntelliBrite™ de piscina (cada lámpara de 70 vatios máximo)
- Una (1) lámpara LED IntelliBrite™ de baños termales (cada lámpara de 40 vatios máximo)
- Ocho (8) lámparas LED IntelliBrite™ de paisaje (cada lámpara de 15 vatios máximo)

Regulador
IntelliBrite™
[N/P 600054]



INSTALACIÓN DE LA LÁMPARA DE LED INTELLIBRITE™ PARA PISCINAS

A continuación se describe cómo instalar la lámpara de LED IntelliBrite™. Lea detenidamente desde la **página 3** a la **9** antes de comenzar el procedimiento de instalación.

Instalación de la lámpara de LED IntelliBrite™ (construcción de piscinas nuevas)

BANTES DE COMENZAR: Los siguientes pasos (1-6) describen las tareas que deben ser completadas por el electricista antes de que la lámpara IntelliBrite™ sea instalada. Consulte la **Figura 1** del diagrama.

Asegúrese que la piscina cumple con los requisitos actuales del Artículo 680-22 del Código Eléctrico Nacional (National Electrical Code, N.E.C.) y con todos los códigos y ordenanzas locales. Un electricista con licencia o certificado debe instalar el sistema eléctrico de manera que el mismo cumpla o supere dichos requisitos antes de instalar la lámpara submarina. Algunos de los requisitos del Código Eléctrico Nacional con los que el sistema eléctrico de la piscina debe cumplir son los siguientes:

- El circuito de iluminación debe tener un interruptor del circuito de fallos en toma a tierra (Ground Fault Circuit Interrupter, GFCI) para modelos de tensión de línea y debe tener un cortacircuito de clasificación apropiada.
- La caja de empalme (o el transformador de bajo voltaje en el caso de los modelos de 12 voltios) debe estar ubicada a un mínimo de 20.32 cm (8 pulg.) por encima del nivel del agua y al menos a 1.22 m (48 pulg.) del borde de la piscina; consulte la Figura 1.
- La lámpara y todos sus elementos de metal ubicados a 1.50 m (5 pies) de distancia de la piscina deben tener una conexión eléctrica apropiada.
- El nicho en húmedo debe estar correctamente instalado de manera que el borde superior del lente de la lámpara submarina se encuentre a un mínimo de 45.72 cm (18 pulg.) por debajo de la superficie del agua de la piscina; consulte la Figura 1. (No más de 50.80 cm (20 pulg.) de profundidad en Canadá.)
- El nicho en húmedo debe tener una conexión eléctrica apropiada y con conexión a tierra a través del conector a tierra Nº. 8 AWG ubicado en la parte posterior del nicho; consulte la Figura 1.

Nota: El sistema eléctrico de la piscina o del baño termal puede ser verificado con un equipo de prueba de idoneidad. El equipo de prueba puede ser adquirido en Pentair Water Pool and Spa, Inc. La inspección del sistema eléctrico mediante este equipo debe ser realizada por personal capacitado y certificado.

- Para asegurar que el sistema eléctrico de la piscina cumpla con los requisitos vigentes, el electricista también debe consultar con el departamento de edificación local.
- Utilice solamente nichos en húmedo de Pentair Water Pool and Spa™ para asegurar conexiones y tomas a tierra apropiadas.

Instalación de la lámpara de LED IntelliBrite™ luego de cumplir con los requisitos eléctricos

1. Alimente el cable a través del conducto hasta la caja de empalme, dejando por lo menos un tramo de 1.22 m (4 pies) en la lámpara para enrollarlo a su alrededor; consulte la Figura 1. Esto permite efectuar el mantenimiento de la lámpara después de que la piscina esté llena de agua.

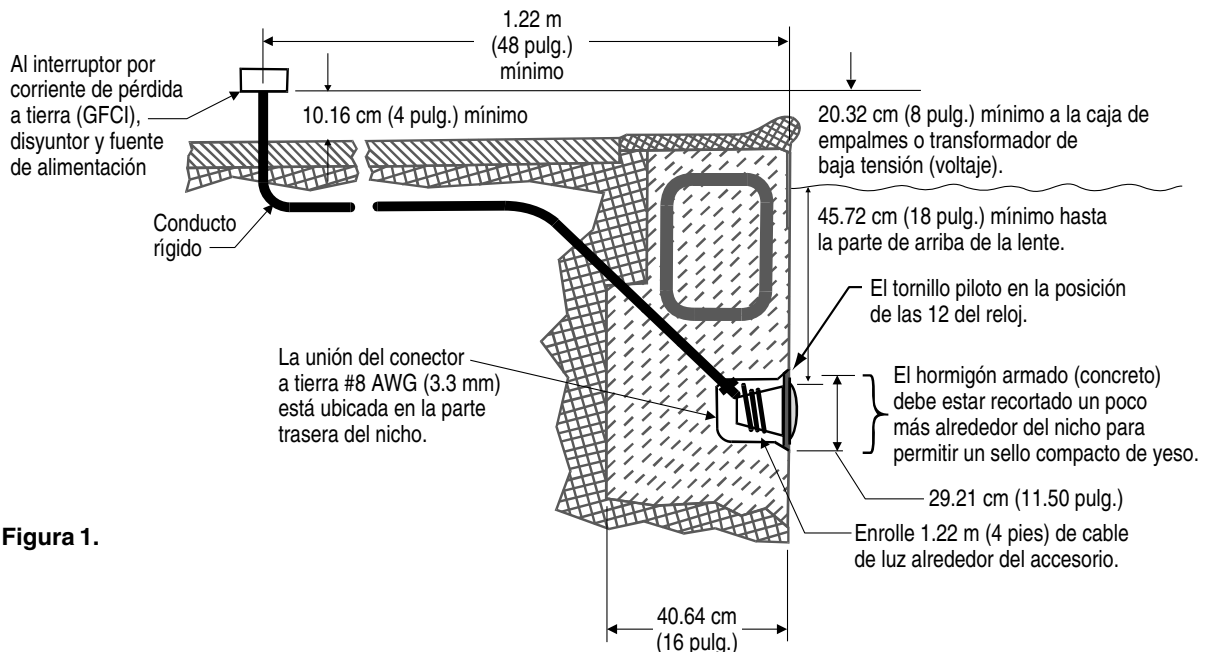


Figura 1.

2. Corte el cable en la caja de empalme, dejando un tramo de al menos 15.24 cm (6 pulg.) para efectuar las conexiones.
3. Quite unos 15.24 cm (6 pulg.) de la cubierta exterior del cable para poner a la vista los tres alambres aislados (tenga cuidado de no dañar el aislamiento de los tres (3) cables internos).
4. Conecte los tres (3) cables a los correspondientes cables de circuito en la caja de empalme y colóquelo la tapa a la caja de empalme.

⚠ ADVERTENCIA - Nunca haga funcionar esta lámpara submarina durante más de 10 segundos a menos que esté totalmente sumergida en agua. Sin una sumersión total, la lámpara se pondrá sumamente caliente, lo que puede resultar en quemaduras graves o en rotura del lente. Esto podría provocar lesiones graves para los usuarios de la piscina, los instaladores, o a personas en los alrededores, o en daños a la propiedad.

5. Instale el ensamblaje de la lámpara IntelliBrite™ dentro del nicho y apriete el tornillo piloto especial de bronce.

⚠ ADVERTENCIA - Utilice solamente el tornillo piloto especial proporcionado con esta lámpara submarina. Este tornillo sirve para montar y conectar eléctricamente a tierra de manera firme la carcasa con el aro de montaje y el nicho en húmedo. El incumplimiento de no utilizar el tornillo proporcionado puede crear un peligro eléctrico que puede resultar en la muerte o lesión grave de los usuarios de la piscina, los instaladores u otras personas debido a descarga eléctrica.

6. Antes de hacer funcionar la lámpara por más de 10 segundos, llene la piscina hasta que la lámpara submarina se encuentre totalmente sumergida en agua. Para comprobar el funcionamiento correcto, encienda el interruptor principal o el cortacircuito, así como también el interruptor que acciona la lámpara submarina IntelliBrite™.

Reemplazo del ensamblaje de la lámpara de LED IntelliBrite™ en un piscina

⚠ ¡PELIGRO! ¡Riesgo de descarga eléctrica o electrocución!



Esta lámpara submarina debe ser instalada por un técnico electricista o un electricista certificado o un técnico de piscinas calificado conforme al Código Eléctrico Nacional y todos los códigos y ordenanzas locales pertinentes. Una instalación incorrecta creará un peligro eléctrico que puede resultar en la muerte o lesión seria para los usuarios de la piscina, los instaladores, o a otras personas debido a descarga eléctrica y también podría causar daños a la propiedad.

Siempre desconecte la alimentación eléctrica de la lámpara de la piscina en el cortacircuito antes de efectuar el mantenimiento de la lámpara. Dejar de hacer esto puede resultar en la muerte o lesión grave del técnico, los usuarios de la piscina u otras personas debido a descarga eléctrica.

Antes de reemplazar la lámpara de LED IntelliBrite™

Verifique que la piscina cumpla con los requisitos actuales del Código Eléctrico Nacional y con todos los códigos y ordenanzas locales. Un electricista con licencia o certificado debe instalar el sistema eléctrico de manera que el mismo cumpla o supere dichos requisitos antes de instalar la lámpara submarina. Algunos de los requisitos del Código Eléctrico Nacional con los que el sistema eléctrico de la piscina debe cumplir son los siguientes:

- El circuito de iluminación debe tener un interruptor del circuito de fallos en toma a tierra (Ground Fault Circuit Interrupter, GFCI) para modelos de tensión de línea y debe tener un cortacircuito de clasificación apropiada.
- La caja de empalme (**o el transformador de bajo voltaje en el caso de modelos de 12 voltios**) debe estar ubicada a un mínimo de 20.32 cm (8 pulg.) por encima del nivel del agua y al menos a 1.22 m (48 pulg.) del borde de la piscina; consulte la Figura 1.
- La lámpara y todos sus elementos de metal ubicados a 1.50 m (5 pies) de distancia de la piscina deben tener una conexión eléctrica apropiada.
- El nicho en húmedo debe estar correctamente instalado de manera que el borde superior del lente de la lámpara submarina se encuentre a un mínimo de 45.72 cm (18 pulg.) por debajo de la superficie del agua de la piscina; consulte la Figura 1.
- El nicho en húmedo debe tener una conexión eléctrica apropiada y con conexión a tierra a través del conector a tierra Nº. 8 AWG ubicado en la parte posterior del nicho; consulte la Figura 1.

Nota: El sistema eléctrico de la piscina o del baño ternal puede ser verificado con un equipo de prueba de idoneidad. El equipo de prueba puede ser adquirido en Pentair Water Pool and Spa, Inc. La inspección del sistema eléctrico mediante este equipo debe ser realizada por personal capacitado y certificado.

- Para asegurar que el sistema eléctrico de la piscina cumpla con los requisitos vigentes, el electricista también debe consultar con el departamento de edificación local.
- Utilice solamente nichos en húmedo de Pentair Water Pool and Spa™ para asegurar conexiones y tomas a tierra apropiadas.

Reemplazo de la lámpara de LED IntelliBrite™ luego de cumplir con los requisitos eléctricos

⚠ ADVERTENCIA - El incumplimiento con los códigos requeridos para el sistema eléctrico de la piscina antes de la instalación de la lámpara submarina creará un peligro eléctrico que puede resultar en la muerte o lesión grave para los usuarios de la piscina baño, los instaladores, o a otras personas debido a descarga eléctrica, y también podría causar daños a la propiedad.

1. **Apague el interruptor eléctrico principal** o el cortacircuito, así como también el interruptor que acciona la lámpara submarina IntelliBrite™.
2. **Para remover la lámpara de la piscina.** Remueva el tornillo piloto especial de bronce ubicado en la parte superior del aro frontal. Remueva lámpara IntelliBrite™ del nicho y colóquela sobre la plataforma (consulte la página 6 para las instrucciones de remoción).

⚠ ADVERTENCIA - No olvide guardar el tornillo piloto especial de esta lámpara submarina. Este tornillo sirve para montar y conectar eléctricamente a tierra de manera firme la carcasa con el aro de montaje y el nicho en húmedo. Dejar de utilizar el tornillo proporcionado puede crear un peligro eléctrico que puede resultar en la muerte o lesión grave de los usuarios de la piscina, los instaladores u otras personas debido a descarga eléctrica.

3. Remueva la tapa de la caja de empalme, desconecte los cables de la lámpara y hale el cable a través del conducto.
4. Alimente el cable nuevo de la lámpara a través del conducto desde el nicho hasta la caja de empalme. **Nota:** Dependiendo de la longitud del conducto, es posible que se requieran herramientas especiales para halar el cable a través del mismo.
5. Deje por lo menos un tramo de 1.22 m (4 pies) de cable para enrollarlo alrededor de la lámpara; consulte la Figura 1 en la [página 2](#). Esto permite efectuar el mantenimiento de la lámpara después de que la piscina esté llena de agua.
6. Corte el cable en la caja de empalme, dejando un tramo de al menos 15.24 cm (6 pulg.) para efectuar las conexiones.
7. Quite unos 15.24 cm (6 pulg.) de la cubierta exterior del cable para poner a la vista los tres alambres aislados. Tenga cuidado de no dañar el aislamiento de los tres (3) cables internos.
8. Conecte los tres (3) cables a los correspondientes cables de circuito en la caja de empalme (el cable negro al cable de alimentación, el cable blanco al cable común y el cable verde al cable de toma a tierra) y colóquela la tapa a la caja de empalme.

⚠ ADVERTENCIA - Nunca haga funcionar esta lámpara submarina durante más de 10 segundos a menos que esté totalmente sumergida en agua. Sin una sumersión total, la lámpara se pondrá sumamente caliente, lo que podría resultar en quemaduras graves o en rotura del lente. Esto podría provocar lesiones graves para los usuarios de la piscina, o a personas en los alrededores, o en daños a la propiedad.

9. Vuelva a colocar la lámpara dentro del nicho y apriete el tornillo piloto especial.

⚠ ADVERTENCIA - Utilice solamente el tornillo piloto especial proporcionado con esta lámpara submarina. Este tornillo sirve para montar y conectar eléctricamente a tierra de manera firme la carcasa con el aro de montaje y el nicho en húmedo. Dejar de utilizar el tornillo proporcionado puede crear un peligro eléctrico que puede resultar en la muerte o lesión grave de los usuarios de la piscina, los instaladores u otras personas debido a descarga eléctrica.

10. Antes de hacer funcionar la lámpara por más de 10 segundos, llene la piscina hasta que la lámpara submarina se encuentre totalmente sumergida en agua. Para comprobar el funcionamiento correcto de la lámpara, encienda el interruptor principal o el cortacircuito, así como también el interruptor que acciona la lámpara submarina.

Reemplazo de la unidad de la lámpara de LED IntelliBrite™



¡PELIGRO!

RIESGO DE DESCARGA ELÉCTRICA O ELECTROCUCIÓN

Siempre desconecte la alimentación eléctrica de la lámpara de la piscina en el cortacircuito antes de efectuar el mantenimiento de la lámpara. Dejar de hacer esto hacerlo puede resultar en la muerte o lesión grave del técnico, los usuarios de la piscina u otras personas debido a descarga eléctrica.

1. **Apague el interruptor eléctrico principal o el cortacircuito**, así como también el interruptor que acciona la lámpara de LED IntelliBrite™.
2. Antes de comenzar, asegúrese que tiene una junta para lentes nueva (P/N 79101600) y un ensamblaje de la lámpara de LED IntelliBrite™ listo para ser instalado.

⚠ ADVERTENCIA - Reemplace el ensamblaje de la lámpara de LED con el mismo tipo y potencia en vatios. El no observar lo antedicho dañará el ensamblaje de la lámpara de LED y podría causar un peligro eléctrico que puede resultar en la muerte o lesión grave para los usuarios de la piscina o baño termal, instaladores u otras personas debido a descarga eléctrica y también podría causar daños a la propiedad.

⚠ ADVERTENCIA - Siempre instale una junta para lentes nueva (P/N 79101600) cada vez que desarme la lámpara de LED IntelliBrite™. El no hacerlo podría permitir que entre agua al ensamblaje lo cual pudiera provocar:

- (a) un peligro eléctrico que puede resultar en la muerte o lesión grave de los usuarios de la piscina, los instaladores u otras personas debido a descarga eléctrica, o
- (b) rotura del lente, lo cual puede igualmente resultar en lesiones graves para los usuarios de la piscina, los instaladores, o a personas en los alrededores, o en daños a la propiedad.

3. **REMOCIÓN DE LA LÁMPARA DE LED INTELLIBRITE™**: Remueva el tornillo piloto especial ubicado en la parte superior del aro frontal, remueva el ensamblaje de la lámpara del nicho. Coloque el ensamblaje en la plataforma. **Nota:** No es necesario drenar la piscina.

Tornillo piloto



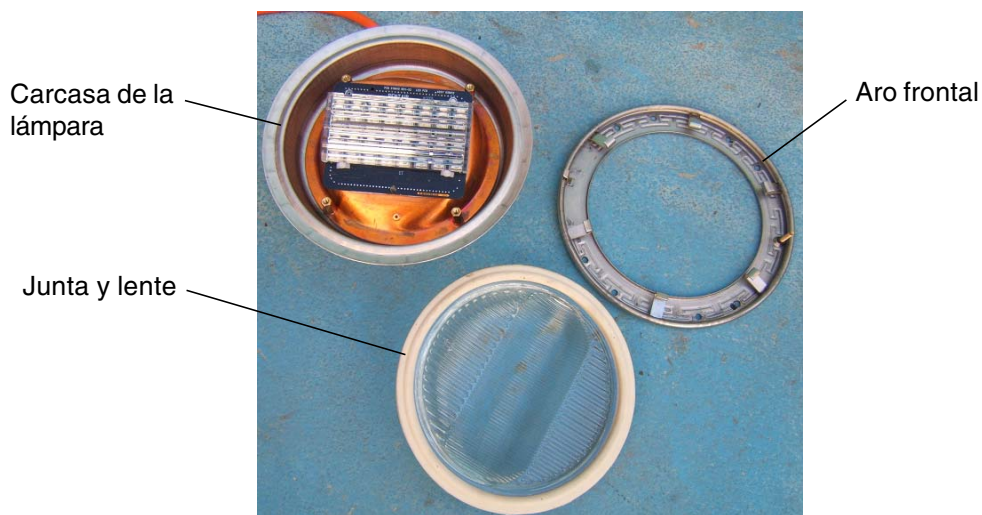
⚠ ADVERTENCIA - No olvide guardar el tornillo piloto especial de esta lámpara submarina. Este tornillo sirve para montar y conectar eléctricamente a tierra de manera firme la carcasa con el aro de montaje y el nicho en húmedo. El incumplimiento de no utilizar el tornillo proporcionado puede crear un peligro eléctrico que puede resultar en la muerte o lesión grave para los usuarios de la piscina, los instaladores, o a otras personas debido a descarga eléctrica.

4. Utilizando un destornillador Phillips N^o. 3 y una llave para tuercas de 1/4", remueva la abrazadera metálica de tensión. Coloque la tuerca a un lado para utilizarla en la reinstalación.
5. Remueva el aro frontal y la abrazadera metálica de la carcasa de la lámpara.



Abrazadera de sujeción resortada:
Remueva la tuerca y el tornillo

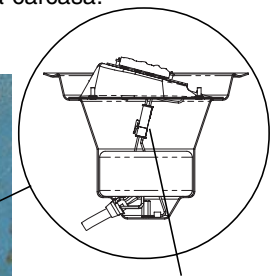
6. Con la lámpara descansando en su base, remueva con cuidado la junta para remover el lente. Descarte la junta. UNA NUEVA JUNTA PARA EL LENTE (P/N 79101600) DEBE SER UTILIZADA CADA VEZ QUE LA LÁMPARA ES REENSAMBLADA. Consulte la [página 10](#) para obtener los números de los kits de piezas de repuesto.



7. Utilizando una llave para tuercas de 1/4", remueva con cuidado las cuatro tuercas de retención del ensamblaje de la lámpara de LED. Coloque las tuercas a un lado para utilizarlas en la reinstalación.
8. Desenchufe el conector del ensamblaje de la lámpara de LED y remueva el ensamblaje de la carcasa.

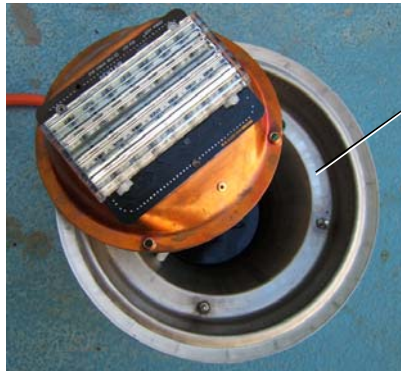


Tuerca de retención
(4x)



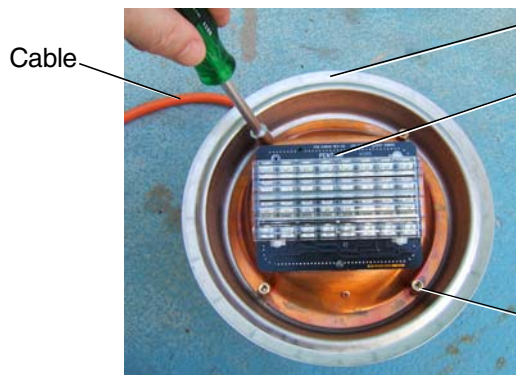
Desenchufe el conector del ensamblaje de la lámpara de LED y remueva el ensamblaje de la carcasa.

9. **INSTALACIÓN DE LA LÁMPARA DE LED INTELLIBRITE™ CON UNA JUNTA NUEVA:** Instale una junta nueva (P/N 79101600) durante el reensamblaje de la lámpara de LED IntelliBrite™. SE DEBE UTILIZAR UNA JUNTA NUEVA CADA VEZ QUE LA LÁMPARA ES REENSAMBLADA.
10. Limpie con alcohol isopropilo la superficie interior que contiene las cuatro clavijas para montaje. Asegúrese de mantener limpia la parte inferior del nuevo ensamblaje del LED IntelliBrite™.



Limpie esta superficie antes de instalar el ensamblaje de la lámpara.

11. Conecte el enchufe de la lámpara de LED IntelliBrite™ al conector ubicado en la carcasa de la lámpara. Baje el ensamblaje de la lámpara de LED al interior de la carcasa de la lámpara. Asegúrese de que ningún cable quede atrapado entre la carcasa y la parte posterior del ensamblaje de la lámpara.
12. Oriente el ensamblaje de la lámpara a fin de que la palabra "**Pentair**", ubicada en el circuito electrónico, se encuentre en la parte superior (por donde sale el cable) como se muestra a continuación.



Cable

Parte superior de la carcasa de la lámpara por donde sale el cable.

La palabra "**Pentair**", ubicada en el circuito electrónico, se encuentra en la parte superior.

Tuerca de retención (4x)

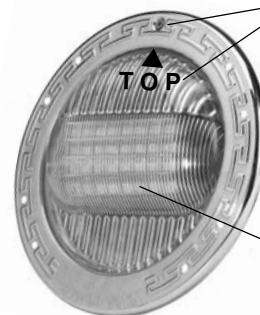
13. Con la carcasa descansando sobre su base, alinee con cuidado los cuatro agujeros para los tornillos del ensamblaje de la lámpara y la base de la carcasa. Utilizando una llave para tuercas de $\frac{1}{4}$ ", sujete en su lugar el ensamblaje de la lámpara con las cuatro (4) tuercas de retención.
14. **Instale la nueva junta sobre el lente:**

a) Con la carcasa de la lámpara descansando sobre su base, coloque el lente y luego la junta sobre la carcasa de la lámpara.

b) Coloque el aro frontal sobre la junta. Asegúrese de que el lente y la junta se encuentren centralizados correctamente en la carcasa de la lámpara.

c) Alineación del aro frontal y el lente: Alinee el aro frontal y el lente a fin de que la letra "O" en la palabra "TOP" (y la pequeña flecha sobre ella), ubicada en la superficie del lente, apunte hacia el agujero del tornillo piloto ubicado en el aro frontal.

d) Alineación de la posición del lente con los LED: Mientras mira a través de la parte frontal del lente, gire levemente el lente hasta que las líneas verticales ubicadas en el lente estén centralizadas con las cuatro (4) filas de los LED que están por debajo.

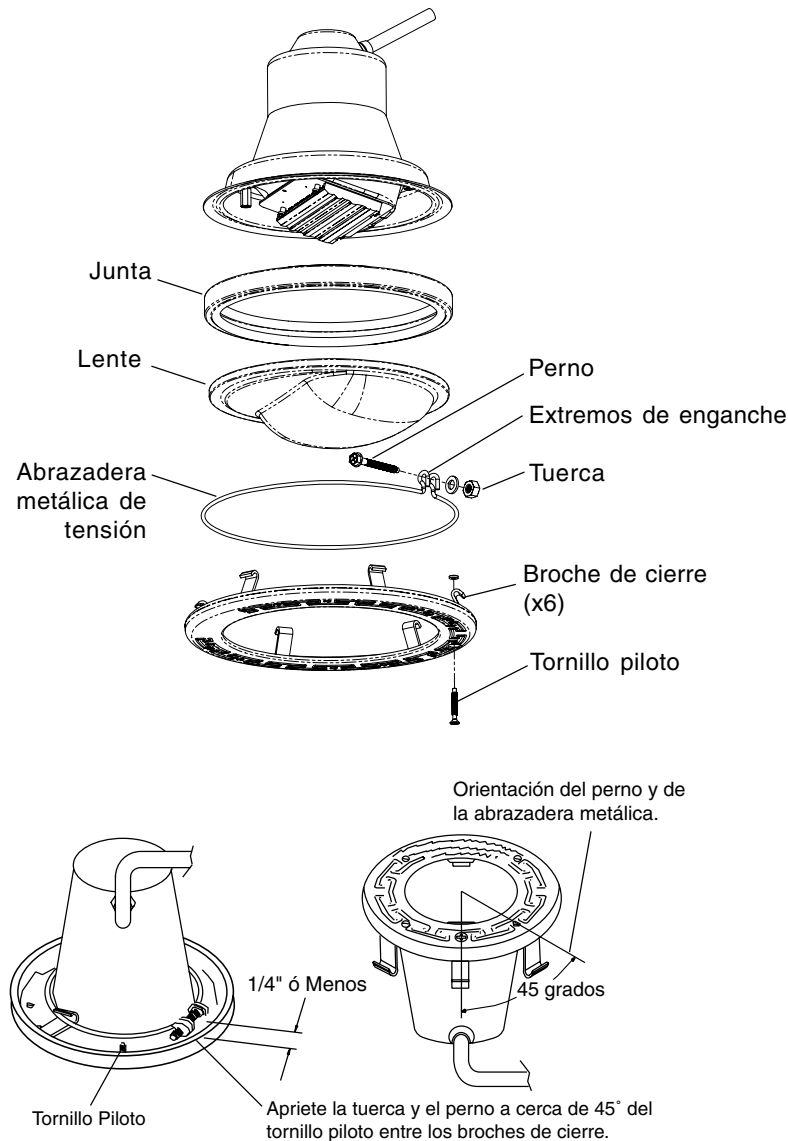


Alinee la letra "O" en la palabra "TOP", ubicada en el lente, con el agujero del tornillo piloto del aro frontal.

Alinee la línea vertical, ubicada en el lente, con las filas de LED que están ubicados debajo del lente.

15. Con los extremos de enganche de la abrazadera metálica de tensión apuntando hacia abajo, abra la abrazadera y colóquela en los huecos "U" de los broches de cierre. Asegúrese de que los extremos de enganche de la abrazadera estén ubicados entre los dos broches de cierre como se muestra a continuación y de que la abrazadera metálica se encuentre conectada correctamente con todos los broches de cierre.
16. Coloque un paño en el suelo para proteger el lente. Voltee la lámpara a fin de que el lente descansa sobre el paño. Apriete el perno y la tuerca hasta que la distancia entre los extremos de la abrazadera sea igual a un $\frac{1}{4}$ de pulgada o menos.
17. Instale el ensamblaje de la lámpara dentro del nicho y apriete el tornillo piloto especial.

⚠ ADVERTENCIA - Utilice solamente el tornillo piloto especial proporcionado con esta lámpara submarina. Este tornillo sirve para montar y conectar eléctricamente a tierra el alojamiento de manera firme con el aro de montaje y el nicho en húmedo. El incumplimiento de no utilizar el tornillo proporcionado puede crear un peligro eléctrico que puede resultar en la muerte o lesión grave para los usuarios de la piscina, los instaladores, o a otras personas debido a descarga eléctrica.

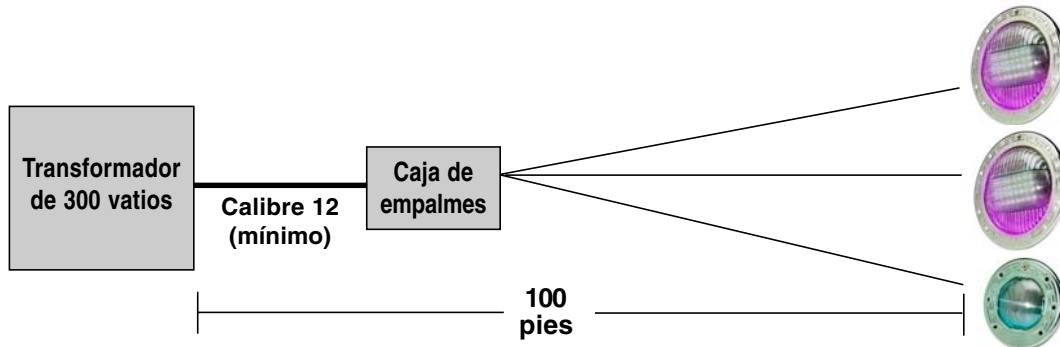


18. Antes de encender la lámpara de LED IntelliBrite™, asegúrese de que la lámpara de LED IntelliBrite™ se encuentre totalmente sumergida en el agua. La lámpara **nunca** debe ser encendida fuera del agua durante más de 10 segundos.

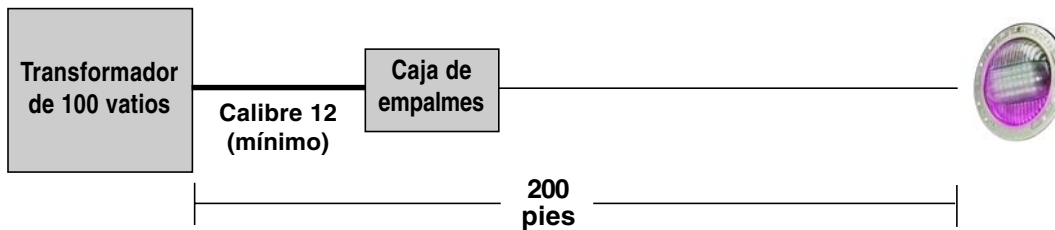
⚠ ADVERTENCIA - Nunca haga funcionar esta lámpara submarina durante más de 10 segundos a menos que esté totalmente sumergida en agua. Sin una sumersión total, la lámpara se pondrá sumamente caliente, lo que puede resultar en quemaduras graves o en rotura del lente. Esto podría provocar lesiones graves para los usuarios de la piscina, los instaladores, o a personas en los alrededores, o en daños a la propiedad.

Uso de un transformador aislado de seguridad externo para múltiples lámparas IntelliBrite™ de 12 VCA

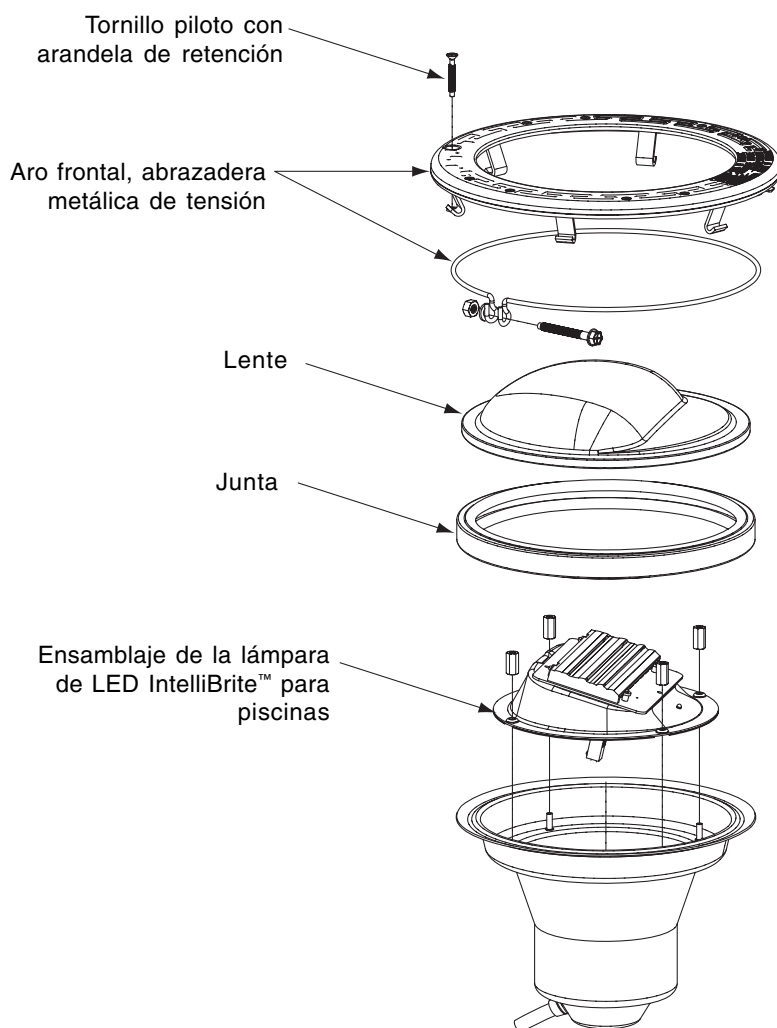
Cuando se utilicen múltiples lámparas de LED IntelliBrite™ de 12 VCA en un transformador de **300 vatios**, se recomienda que no se utilicen más de dos (2) lámparas IntelliBrite™ para piscinas y una (1) lámpara IntelliBrite™ para baños termales. También se recomienda no exceder de 100 pies la corrida de cable total entre el transformador y la lámpara (consulte el diagrama que aparece a continuación).



Si se necesita una recorrida de cable más larga, se recomienda que se utilicen transformadores de **100 vatios** por separado para cada lámpara con no más de 200 pies de corrida de cable total entre el transformador y la lámpara (consulte el diagrama que aparece a continuación).



Números de los kits de piezas de repuesto para las lámparas IntelliBrite™ para piscinas



Nº. de Parte del Kit	Descripción
600095	Equipo del aro frontal, acero inoxidable - Abrazadera metálica de tensión - Junta, 8-3/8 pulgs. de diámetro, blanco oscuro
600096	Junta, 8-3/8 pulgs. de diámetro, blanco oscuro - Lente, IntelliBrite™, piscina, 8-3/8 pulgs. de diámetro, templado
600076	Equipo de la lámpara, IntelliBrite™ de LED para piscinas - Junta, 8-3/8 pulgs. de diámetro, blanco oscuro
79104800	Tornillo piloto con arandela de retención
79101600	- Junta, 8-3/8 pulgs. de diámetro, blanco oscuro

Nota: Se requiere un transformador aislado de seguridad externo de 12 VCA (~) 60 Hz (50 Hz cuando sea aplicable) para el modelo de la lámpara de LED IntelliBrite™ para piscinas de 12 VCA. Consulte la [página 1](#) para obtener más información.

