

AURORA® 1070 DRY ROTOR SERIES AP8/APB8 CIRCULATORS

Job: _____ Representative: _____

_____ Ordered by: _____ Date: _____

Engineer: _____ Submitted by: _____ Date: _____

Contractor: _____ Approved by: _____ Date: _____

QUANTITY	TAG NO.	PART NUMBER	FLOW (USgpm)	HEAD (FEET)	VOLTAGE	PHASE	COMMENTS

TECHNICAL DATA

Flow Range: 0 to 38.0 USgpm (0 to 2.4 L/s)
Head Range: 0 to 34.0 feet (0 to 10.4 m)
Max/Min Fluid temp: 230°F/40°F (110°C/4°C)
Max. Working Pressure: 150 psi (1034 kPa)

MOTOR DATA

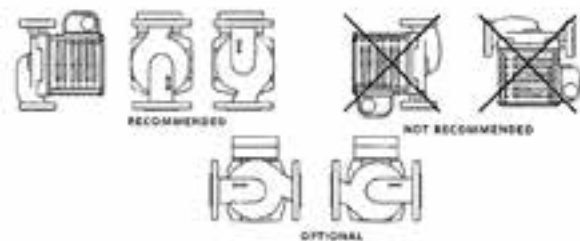
Voltage	120V	208V	240V
Full Load Amp Draw	2.0A	1.0A	1.0A

Nominal Power: 1/6 hp (125w) **Frequency:** 60 Hz
Motor Type: Two pole, Single phase **Speed:** 3400 rpm

MATERIALS OF CONSTRUCTION

Pump Body: Cast iron (closed systems)
 Bronze (lead free for open systems)

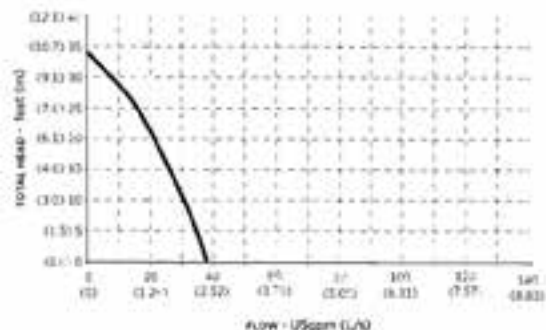
Face Plate: Stainless steel **Shaft:** Stainless steel
Impeller: 30% Glass-filled Noryl® **Volute Gasket:** EPDM
Bearings: Permanently lubricated stainless steel
Seal: Silicon carbide enviroseal c/w Viton® elastomer

MOUNTING ORIENTATION For indoor use only

PART NUMBER

	120V	240V
AP8	6365478642	6365479642
APB8	6365478644	6365479644

APB8 ACCESSORIES

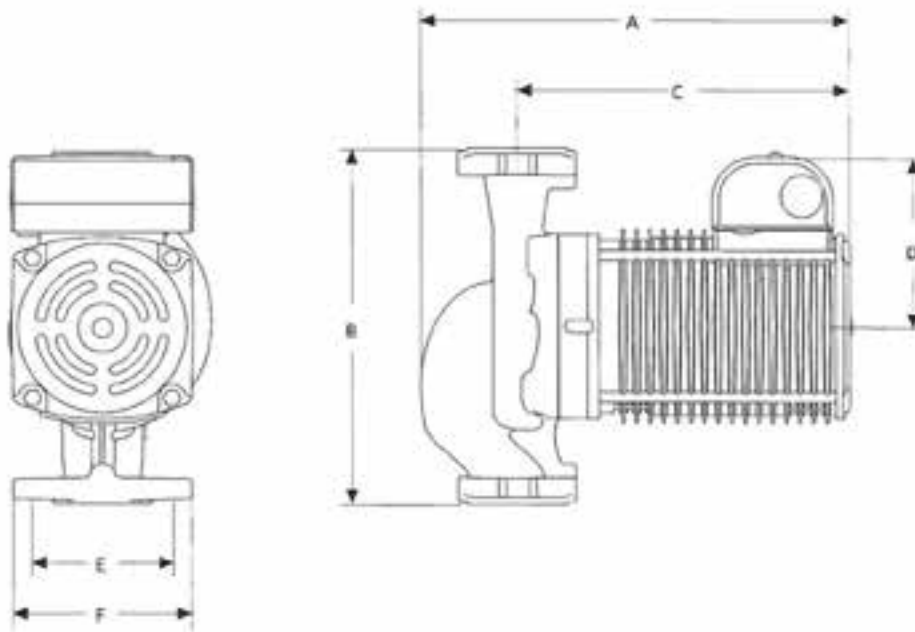
- 3/4" Flange kits
- 1" Flange kits
- 1-1/4" Flange kits
- 1-1/2" Flange kits
- Timer
- Aquastat
- Spool pieces

PERFORMANCE CURVE


Performance curves are for reference only.

AURORA® 1070 DRY ROTOR SERIES AP8/APB8 CIRCULATORS

DIMENSIONS INCHES (mm)									SHIP WEIGHT
MODEL	BODY	A	B	C	D	E	F	CONNECTION TYPE & SIZE	lbs (kgs)
AP8	Cast iron	7.10 (180)	6.40 (164)	5.50 (140)	3.80 (97)	3.20 (81)	4.20 (107)	1.25" diameter 2-bolt flanges	12.25 (5.55)
APB8	Bronze	7.10 (180)	6.40 (164)	5.50 (140)	3.80 (97)	3.20 (81)	4.20 (107)	1.25" diameter 2-bolt flanges	13.55 (6.15)



800 AIRPORT ROAD, NORTH AURORA, ILLINOIS 60542 www.AuroraPump.com

Because we are continuously improving our products and services, Pentair reserves the right to change specifications without prior notice.
© 2014 Pentair Ltd. All Rights Reserved

AP8_APB8 (02/20/14)