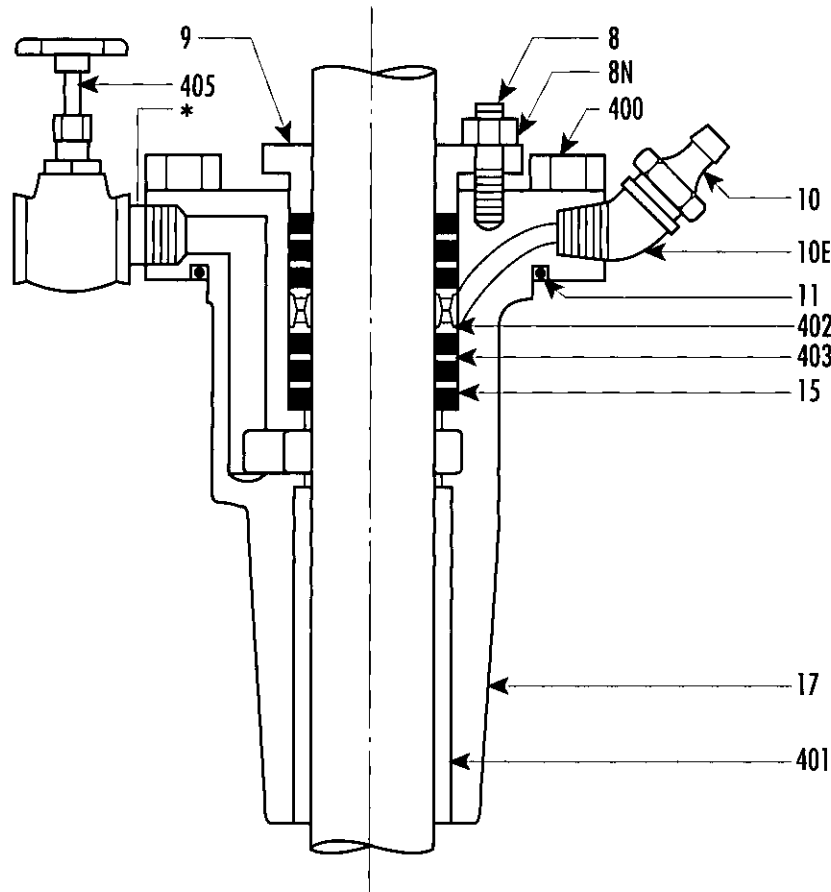


**ENGINEERING data**  
**STUFFING BOX**

**"HPSB" HIGH PRESSURE STUFFING BOX**



**Note:** Max operating pressure is 300 PSI except when shaft has a hard overlay thru packing and bearing areas

ITEM. NO.	PART NAME	MATERIAL	
		STD.	OPTIONAL
17A	STUFFING BOX ASSY	—	
8	STUD, SPLIT GLAND	STN STL	
8N	HEX NUT, SPLIT GLAND	BRASS	
9	SPLIT GLAND	BRONZE	
10	ALEMITE FITTING	—	
10E	STREET ELL	C.I	
11	O' RING, ST. BOX/HD	RUBBER	
15	PACKING (6 RINGS)	TEFLON	
17	STUFFING BOX	C. I, CL30	
400	CAPSCREW, ST. BOX/HD	STEEL	
401	BEARING, ST. BOX	BRONZE	
402	LANTERN RING	TEFLON ■	
403	SEPARATOR RING (4)	TEFLON ●	
▲ 405	THROTTLE VALVE	BRASS	

\* Interconnecting pipe and/or fittings furnished by others.

■ Mat'l. - Bronze for 2-3/16 & larger sizes

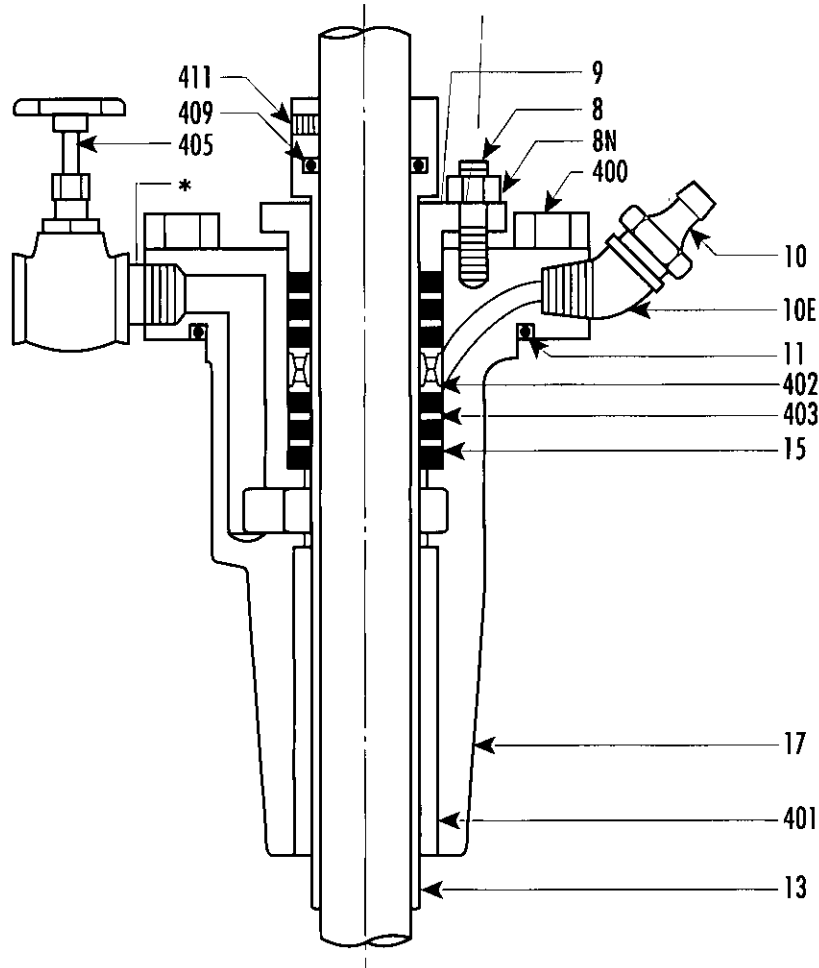
● Mat'l. - Bronze for 2-11/16 & larger sizes

▲ Valve Size. 4 x 7/8 thru 4 x 1-3/16 = 1/2, 6 x 1-1/2 thru 6 x 2-7/16 = 3/4, 9 x 2-11/16 & larger sizes = 1"



**ENGINEERING data**  
**STUFFING BOX**

**"HPSB" HIGH PRESSURE STUFFING BOX (with O'Mounted Sleeve)**



ITEM. NO.	PART NAME	MATERIAL	
		STD.	OPTIONAL
17A	STUFFING BOX ASSY	—	
8	STUD, SPLIT GLAND	STN STL	
8N	HEX NUT, SPLIT GLAND	BRASS	
9	SPLIT GLAND	BRONZE	
10	ALEMITE FITTING	—	
10E	STREET ELL	CI	
11	O' RING, ST BOX/HD	RUBBER	
15	PACKING (6 RINGS)	TEFLON	
17	STUFFING BOX	CI CL30	
400	CAPSCREW, ST BOX/HD	STEEL	
401	BEARING, ST BOX	BRONZE	
402	LANTERN RING	TEFLON ■	
403	SEPARATOR RING (4)	TEFLON ●	
▲ 405	THROTTLE VALVE	BRASS	

ITEM. NO.	PART NAME	MATERIAL	
		STD.	OPTIONAL
13A	SLEEVE ASSY	—	
13	SLEEVE ST BOX	316SS+	
409	O' RING, SLEEVE	RUBBER	
411	SET SCREW, SLEEVE	STN ST	

- \* Interconnecting pipe and/or fittings furnished by others.
- Mat'l - Bronze for 2-3/16 & larger sizes.
- Mat'l - Bronze for 2-11/16 & larger sizes.
- ▲ Valve Size. 4 x 7/8 SFT x 1 SLV thru 4 x 1 x 1-3/16 = 1/2, 6 x 1 - 3/16 x 1-1/2 thru 6 x 2-3/16 x 2-7/16 = 3/4, 9 x 2-7/16 x 2-11/16 & larger = 1".
- + 316SS w/nickle - chrome coating (600 Brinell hardness) furnished for operating pressure of 300 PSI and greater - optional for pressure below 300 PSI.

