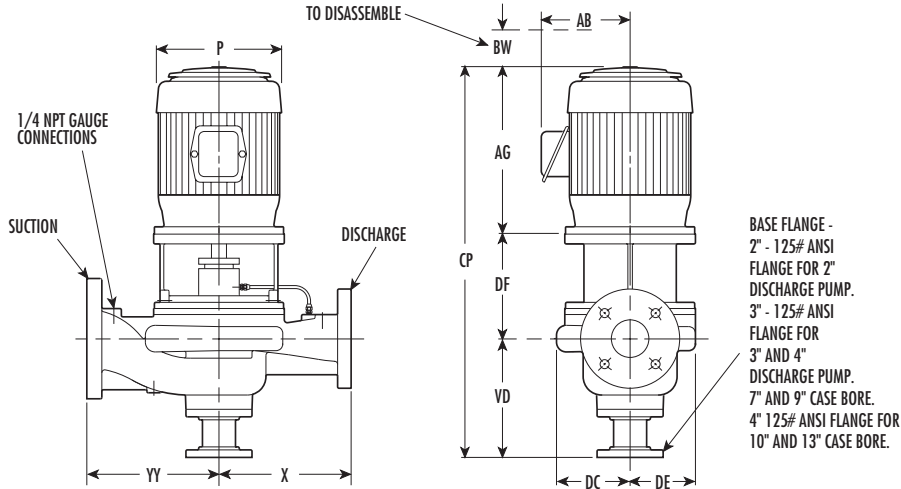


# AURORA MODEL 383 PUMPS

## INLINE FIRE PUMP



**NOTES:**

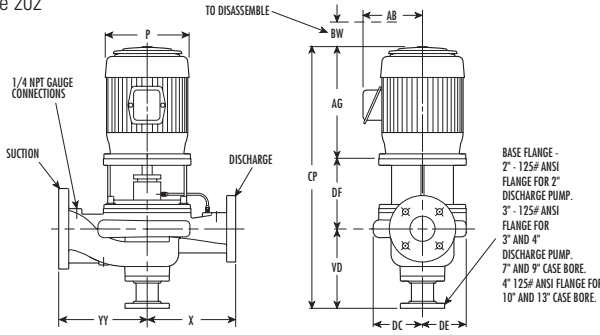
1. All dimensions in inches (mm).
2. Dimensions may vary  $\pm 1/4$ .
3. Not for construction purposes unless certified.
4. Suction and discharge flanges are 125# ANSI as standard. 250# suction and discharge or 125# suction/250# discharge available as option for 9 inch and 10 inch case bore pumps only.

Pump Model	Pump Size Disch. x Suct. x Case Bore	GPM Pump Rating	X	YY	BW (Min.)	VD	DF		DC	DE	Pump Wt. Lbs. (Kg) Approx.		
							184JP	213JP through 365JP			184JP	213JP through 256JP	284JP through 365JP
2-383-9C	2 x 2 x 9	50, 100	9.5 (241)	9.5 (241)	4.5 (114)	9.25 (235)	7.81 (198)	8.63 (219)	5.75 (146)	6.25 (159)	117 (53.1)	130 (59)	-
3-383-7A	3 x 3 x 7	100, 150, 200	9.5 (241)	9.5 (241)	4.5 (114)	10.25 (260)	8.0 (203)	8.81 (224)	5.19 (132)	6.13 (156)	140 (63.5)	153 (69.4)	159 (72.1)
3-383-7B	3 x 3 x 7	250	9.5 (241)	9.5 (241)	4.5 (114)	10.25 (260)	-	8.81 (224)	5.19 (132)	6.13 (156)	-	153 (69.4)	159 (72.1)
3-383-7C	3 x 4 x 7	250, 300	11 (279)	11 (279)	3.75 (95)	10.75 (273)	-	9.13 (232)	5.13 (130)	6.38 (162)	-	130 (59)	-
3-383-9	3 x 4 x 9	250	11 (279)	11 (279)	4.5 (114)	9.88 (251)	8.25 (210)	8.88 (225)	5.75 (146)	6.5 (165)	178 (80.7)	191 (86.6)	196 (88.9)
3-383-9A	3 x 3 x 9	150, 200	11 (279)	11 (279)	4.5 (114)	10.25 (260)	7.94 (202)	8.75 (222)	6 (152)	6.75 (171)	152 (68.9)	165 (74.8)	170 (77.1)
3-383-9B	3 x 4 x 9	300	11 (279)	11 (279)	4.25 (108)	10.88 (276)	-	9.25 (235)	5.75 (146)	6.63 (168)	-	-	150 (68)
4-383-7B	4 x 4 x 7	300, 400, 450, 500	11 (279)	11 (279)	4.5 (114)	11.25 (286)	-	9.31 (237)	5.56 (141)	7.31 (186)	-	191 (86.6)	197 (89.4)
4-383-7C	4 x 4 x 7	400, 450, 500	11 (279)	11 (279)	4.5 (114)	11.25 (286)	-	9.63 (244)	5.5 (140)	7.38 (187)	-	-	175 (79.4)

ODP Frame	AG Approx.	P	AB Approx.	Motor Wt. Lbs. (Kg)	CP							
					2-383-9C	3-383-7A 3-383-7B*	3-383-7C	3-383-9	3-383-9A	3-383-9B	4-383-7B	4-383-7C
184JP	15 (381)	10.38 (264)	7 (178)	95 (43.1)	32.13 (816)	28.63 (727)	-	33.13 (841)	33.25 (845)	-	-	-
213JP	17 (432)	12.25 (311)	7.63 (194)	135 (61.2)	35 (889)	36 (914)	-	35.75 (908)	36 (914)	-	-	-
215JP	17 (432)	12.25 (311)	7.63 (194)	155 (70.3)	35 (889)	36 (914)	-	35.75 (908)	36 (914)	-	37.75 (959)	-
254JP	21 (533)	13 (330)	8.88 (225)	195 (88.5)	39 (991)	40 (1016)	37.88 (962)	39.75 (1010)	40 (1016)	-	41.63 (1057)	-
256JP	21 (533)	13 (330)	9.25 (235)	256 (116.1)	39 (991)	-	37.88 (962)	39.75 (1010)	40 (1016)	-	41.63 (1057)	-
284JP	22 (559)	15.75 (400)	11.38 (289)	271 (122.9)	-	-	-	40.75 (1035)	41 (1041)	38.13 (968)	42.63 (1083)	38.88 (987)
286JP	22 (559)	15.75 (400)	11.38 (289)	320 (145.1)	-	-	-	40.75 (1035)	41 (1041)	38.13 (968)	42.63 (1083)	38.88 (987)
324JP	24 (610)	17.75 (451)	13.25 (337)	420 (190.5)	-	-	-	-	43 (1092)	-	-	-

\* Not available with 184JP frame.

## INLINE FIRE PUMP



**NOTES:**

1. All dimensions in inches (mm).
2. Dimensions may vary  $\pm 1/4$ .
3. Not for construction purposes unless certified.
4. Suction and discharge flanges are 125# ANSI as standard. 250# suction and discharge or 125# suction/250# discharge available as option for 9 inch and 10 inch case bore pumps only.

Pump Model	Pump Size Disch x Suct x Case Bore	GPM Pump Rating	X	YY	BW (Min.)	VD	DF				DC	DE	Pump Wt. Lbs. (kg) Approx.				
							184JP	213JP through 365JP	364HP through 445HP	364TCVZ through 445TCVZ			184JP	213JP through 256JP	284JP through 365JP	364HP through 445HP	364TCVZ through 445TCVZ
4-383-9	4 x 5 x 9	300, 400, 450	11 (279)	11 (279)	4.5 (114)	11 (279)	8.38 (213)	9 (229)	-	-	6 (152)	7.13 (181)	214 (97.3)	227 (103)	232 (105.2)	-	-
4-383-9B	4 x 5 x 9	300, 400, 450, 500	11 (279)	11 (279)	4.5 (114)	11 (279)	8.38 (213)	9 (229)	-	-	6 (152)	7.13 (181)	214 (97.3)	227 (103)	232 (105.2)	-	-
4-383-9C	4 x 5 x 9	500	11 (279)	11 (279)	4.5 (114)	11 (279)	-	9 (229)	-	-	6 (152)	7.13 (181)	-	-	232 (105.2)	-	-
4-383-10	4 x 6 x 10	400, 450, 500	14 (356)	14 (356)	5 (127)	13.06 (332)	-	9.06 (230)	-	-	7 (178)	8.5 (216)	-	-	351 (159.2)	-	-
4-383-10B	4 x 6 x 10	750	14 (356)	14 (356)	5 (127)	13.06 (332)	-	9.06 (230)	-	-	7 (178)	8.5 (216)	-	-	351 (159.2)	-	-
4-383-13	4 x 6 x 13	750	16 (406)	16 (406)	5.38 (137)	13.81 (351)	-	9.19 (233)	-	-	9 (229)	10.5 (267)	-	-	421 (191)	-	-
8-383-15	8 x 8 x 15	1000, 1250, 1500	22.5 (572)	22.5 (572)	12.91 (328)	17.63 (448)	-	-	19 (483)	-	10.38 (263)	12.94 (329)	-	-	-	812 (368)	-
8-383-18	8 x 8 x 18	1000, 1250	25 (635)	22.5 (572)	8.06 (205)	18.38 (467)	-	-	-	10.75 (273)	11.75 (298)	14.38 (365)	-	-	-	-	1020 (463)
8-383-18A	8 x 8 x 18A	1500	25 (635)	22.5 (572)	8.06 (205)	18.38 (467)	-	-	-	10.75 (273)	11.75 (298)	14.38 (365)	-	-	-	-	1020 (463)

ODP Frame	AG Approx.	P	AB Approx.	Motor Wt. Lbs. (kg)	CP					
					4-383-9 4-383-9B&C*	4-383-10 4-383-10B	4-383-13	8-383-15	8-383-18 8-383-18A	
184JP	15 (381)	10.38 (264)	7 (178)	95 (43)	34.38 (873)	-	-	-	-	-
213JP	17 (432)	12.25 (311)	7.63 (194)	135 (61)	37 (940)	-	-	-	-	-
215JP	17 (432)	12.25 (311)	7.63 (194)	155 (70)	37 (940)	-	-	-	-	-
254JP	21 (533)	13 (330)	8.88 (225)	195 (89)	41 (1041)	-	-	-	-	-
256JP	21 (533)	13 (330)	9.25 (235)	256 (116)	41 (1041)	-	-	-	-	-
284JP	22 (559)	15.75 (400)	11.38 (289)	271 (123)	42 (1067)	-	-	-	-	-
286JP	22 (559)	15.75 (400)	11.38 (289)	320 (145)	42 (1067)	-	44.13 (1121)	-	-	-
324JP	24 (610)	17.75 (451)	13.25 (337)	420 (191)	44 (1118)	-	46.13 (1172)	46.25 (1175)	-	-
326JP	24 (610)	17.75 (451)	13.25 (337)	460 (209)	44 (1118)	-	46.13 (1172)	46.25 (1175)	-	-
364JP	26 (660)	20 (508)	16 (406)	600 (272)	-	-	48.13 (1222)	48.25 (1226)	-	-
365JP	26 (660)	20 (508)	16 (406)	750 (340)	-	-	48.13 (1222)	48.25 (1226)	-	-
364HP	25 (635)	21 (534)	16 (406)	870 (395)	-	-	-	-	61.63 (1565)	-
365HP	25 (635)	21 (534)	16 (406)	940 (426)	-	-	-	-	61.63 (1565)	-
404HP	28 (711)	22 (559)	16.5 (419)	1091 (495)	-	-	-	-	64.63 (1642)	-
405HP	28 (711)	22 (559)	16.5 (419)	1273 (577)	-	-	-	-	64.63 (1642)	-
444HP	32 (813)	24 (610)	19.13 (486)	1290 (585)	-	-	-	-	68.63 (1743)	-
445HP	32 (813)	24 (610)	19.13 (486)	1440 (653)	-	-	-	-	68.63 (1743)	-
364TCZ	28 (711)	20.5 (521)	18 (457)	1015 (461)	-	-	-	-	-	57.63 (1464)
365TCZ	28 (711)	20.5 (521)	18 (457)	1065 (484)	-	-	-	-	-	57.63 (1464)
405TCZ	33.5 (851)	22.5 (572)	20 (508)	1188 (540)	-	-	-	-	-	63.13 (1604)
444TCZ	36 (914)	24.5 (622)	21 (533)	1629 (740)	-	-	-	-	-	65.63 (1667)
445TCZ	36 (914)	24.5 (622)	21 (533)	1629 (740)	-	-	-	-	-	65.63 (1667)

\* Not available with 184JP frame.

# AURORA MODEL 383 PUMPS

## FIRE PUMP ACCESSORIES DISCHARGE FITTINGS

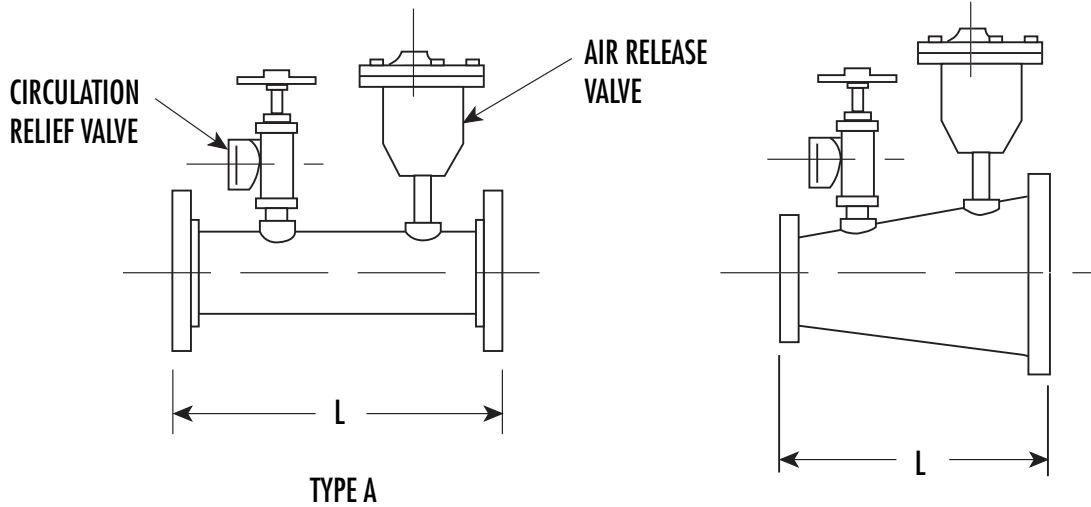
Section **911** Page **203**

Date **November, 2012**

Supersedes Section 911 Page 203

Dated September, 2011

### DISCHARGE FITTINGS FOR INSTALLATION OF VALVES



TYPE A

TYPE B

Pump Size	Flow Rating	Fitting Type	Fitting Size	Discharge Fitting Only					
				150# Flanges			300# Flanges		
				Opt. No.	L	Wt. (Lb.)	Opt. No.	L	Wt. (Lb.)
3 x 3 x 7A	100	A	3 x 3	74BA	14	25	N/A	N/A	N/A
3 x 3 x 7B	150								
3 x 3 x 7C	200								
3 x 4 x 7C	250	B	3 x 4	74BP	10	32	N/A	N/A	N/A
3 x 4 x 7C	300								
3 x 4 x 9B	300								
4 x 4 x 7B	300	A	4 x 4	74BB	16	39	N/A	N/A	N/A
4 x 4 x 7C	400								
4 x 4 x 7B	450								
4 x 4 x 7C	500	B	4 x 5	74BC	11.75	42	N/A	N/A	N/A
4 x 4 x 7B	450								
4 x 4 x 7C	500								
2 x 2 x 9C	50	A	2 x 2	74BD	14	14	74BJ	14	14
3 x 3 x 9A	100	A	3 x 3	74BA	14	25	74BK	14	35
	150								
3 x 3 x 9	250								
4 x 4 x 9	300	A	4 x 4	74BB	16	39	74BL	16	57
4 x 4 x 9B	400								
4 x 6 x 10	400								
4 x 6 x 10	450	A	4 x 4	74BB	16	39	74BL	16	57
4 x 5 x 9B	500	B	4 x 5	74BC	11.75	45	74BM	12.5	65
4 x 5 x 9C									
4 x 6 x 10									
4 x 6 x 10B	750	B	4 x 6	74BH	12.25	52	74BN	13	82
4 x 6 x 13	750	B	4 x 6	74BH	12.25	52	74BN	18.725	82
8 x 8 x 18/18A	1000	N/A	N/A	N/A	N/A	N/A	N/A	N/A	N/A
	1250								
	1500								

**NOTES:**

- All dimensions in inches and may vary by 3/8".
  - Flanges are ANSI Class 150 or Class 300 steel.
- N/A – Not Applicable

**THIS PAGE LEFT INTENTIONALLY BLANK**