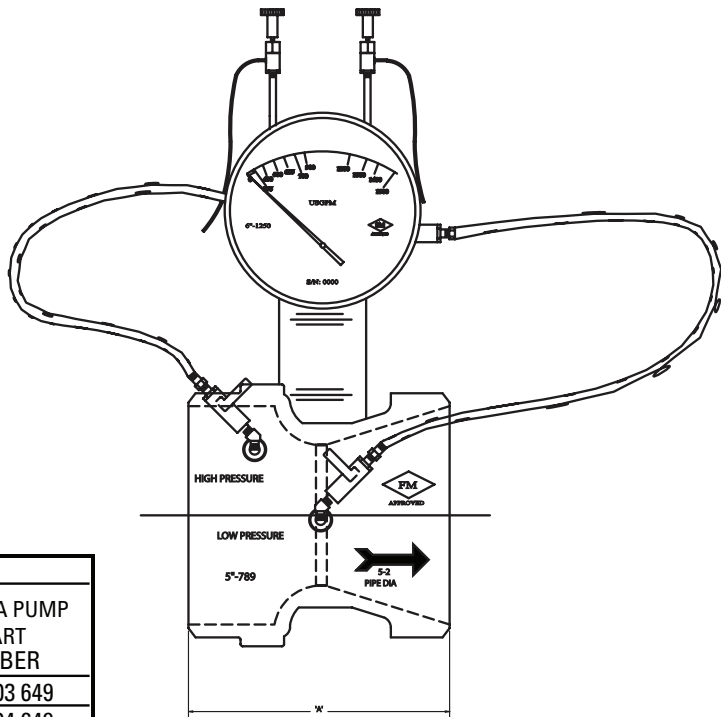


AURORA® FIRE PUMPS

OPTION 91 - FLOW METERING SYSTEM

Global Vision Flow Meters



NOMINAL FLOW RATE G.P.M.	PIPE SIZE	BUTT-WELD		
		OPTION NUMBER	"A" DIM.	AURORA PUMP PART NUMBER
150	3	91AED	4.000	366 0803 649
200	3	91AEE	4.000	366 0804 649
250	4	91AEG	5.375	366 0806 649
300	4	91AEJ	5.375	366 0808 649
400	4	91AEK	5.375	366 0809 649
450	4	91AEL	5.375	366 0810 649
	5	91AEM	6.000	366 0811 649
500	5	91AEP	6.000	366 0813 649
	6	91APC	7.000	366 0814 649
750	5	91APB	6.000	366 0815 649
	6	91APA	7.000	366 0816 649
1000	6	91APD	7.000	366 0817 649
	8	91AFB	7.250	366 0818 649
1250	6	91AFC	7.000	366 0819 649
	8	91AFD	7.250	366 0820 649
1500	8	91AFE	7.250	366 0821 649
	10	91AFF	8.000	366 0822 649
2000	8	91AFG	7.250	366 0823 649
	10	91AFH	8.000	366 0824 649
2500	8	91AFJ	7.250	366 0825 649
	10	91AFK	8.000	366 0826 649
	12	91AFL	12.000	366 0827 649
3000	8	91AFM	7.250	366 0828 649
	10	91AFN	8.000	366 0829 649
3500	12	91AFP	12.000	366 0830 649
	10	91AFR	8.000	366 0831 649
4000	12	91AFT	12.000	366 0832 649
	10	91AFW	8.000	366 0833 649
4500	12	91AGA	12.000	366 0834 649
	10	91AGB	8.000	366 0835 649
5000	12	91AGC	12.000	366 0836 649
	12	91AGE	12.000	366 0838 649

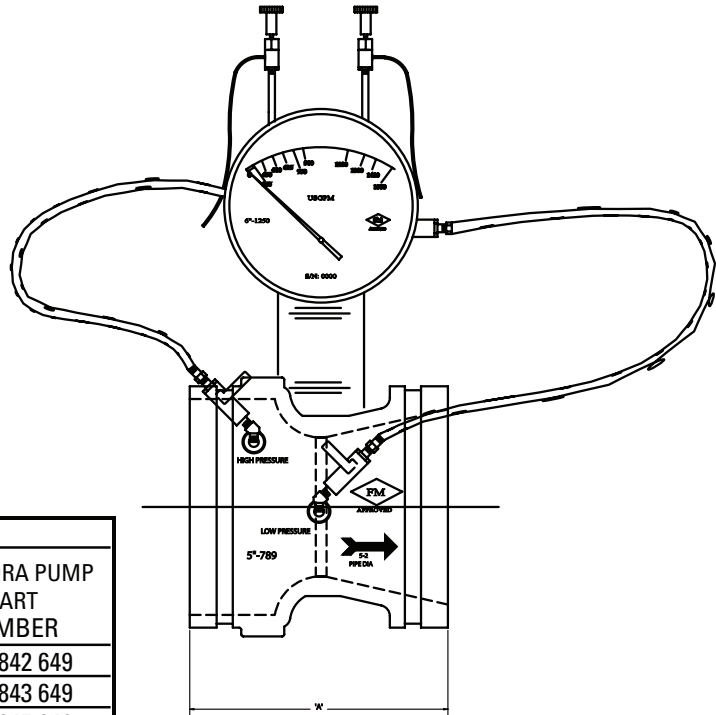
NOTES:

1. ACCURACY IS APPROXIMATELY 2%.
2. FLOWMETER IS GLOBAL VISION INCORPORATED VENTURI TYPE RATED FOR 500 PSI WITH BUTT-WELD, GROVVED, OR CLASS 300 FLANGED CONNECTIONS AND FOR 275 PSI WITH CLASS 150 FLANGED CONNECTIONS.
3. PROPER OPERATION REQUIRES THAT MINIMUM DISTANCES OF STRAIGHT PIPE RUNS BE MAINTAINED BOTH UPSTREAM AND DOWNSTREAM FROM FLOWMETER. REFER TO MANUFACTURER'S INSTRUCTIONS BEFORE ATTEMPTING INSTALLATION.
4. METER RANGE IN 50% TO 200% OF NOMINAL FLOW. DIAL IS DIRECT READING IN G.P.M. AND L.P.M. FOR THE SPECIFIED RANGE.
5. PART NUMBER INCLUDES COMPLETE ASSEMBLY OF VENTURI, 4" DIAMETER DIAL AND INTERCONNECTING HOSES.
6. EACH ASSEMBLY TO BE INDIVIDUALLY BOXED, WITH THE AURORA PART NO. CLEARLY MARKED ON THE OUTSIDE OF THE BOX.

AURORA® FIRE PUMPS

OPTION 91 - FLOW METERING SYSTEM

Global Vision Flow Meters



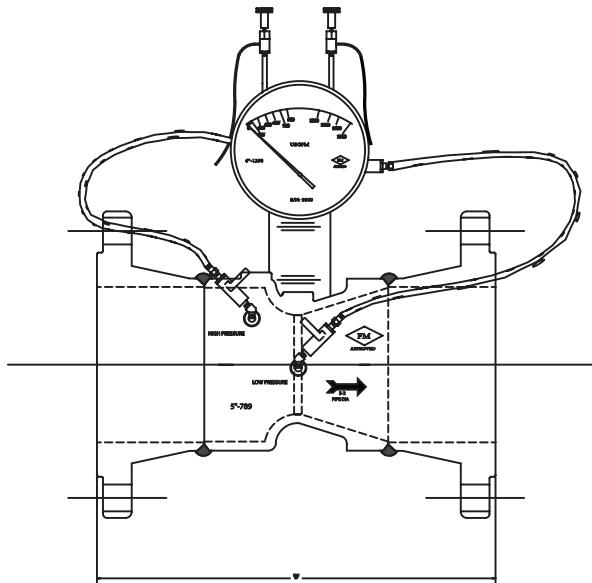
NOMINAL FLOW RATE G.P.M.	PIPE SIZE	GROOVED		
		OPTION NUMBER	"A" DIM.	AURORA PUMP PART NUMBER
150	3	91AGJ	4.000	366 0842 649
200	3	91AGK	4.000	366 0843 649
250	4	91AGM	5.375	366 0845 649
300	4	91AGP	5.375	366 0847 649
400	4	91AGR	5.375	366 0848 649
450	4	91AGT	5.375	366 0849 649
	5	91AGW	6.000	366 0850 649
500	5	91AHB	6.000	366 0852 649
	6	91AHC	7.000	366 0853 649
750	5	91AHD	6.000	366 0854 649
	6	91AHE	7.000	366 0855 649
1000	6	91AHF	7.000	366 0856 649
	8	91AHG	7.250	366 0857 649
1250	6	91AHH	7.000	366 0858 649
	8	91AHJ	7.250	366 0859 649
1500	8	91AHK	7.250	366 0860 649
	10	91AHL	8.000	366 0861 649
2000	8	91AHM	7.250	366 0862 649
	10	91AHN	8.000	366 0863 649
2500	8	91AHP	7.250	366 0864 649
	10	91AHR	8.000	366 0865 649
3000	12	91AHT	12.000	366 0866 649
	8	91AHW	7.250	366 0867 649
3500	10	91AJA	8.000	366 0868 649
	12	91AJB	12.000	366 0869 649
4000	10	91AJC	8.000	366 0870 649
	12	91AJD	12.000	366 0871 649
4500	10	91AJE	8.000	366 0872 649
	12	91AJF	12.000	366 0873 649
5000	10	91AJG	8.000	366 0874 649
	12	91AJH	12.000	366 0875 649
5000	12	91AJK	12.000	366 0877 649

NOTES:

1. ACCURACY IS APPROXIMATELY 2%.
2. FLOWMETER IS GLOBAL VISION INCORPORATED VENTURI TYPE RATED FOR 500 PSI WITH BUTT-WELD, GROOVED, OR CLASS 300 FLANGED CONNECTIONS AND FOR 275 PSI WITH CLASS 150 FLANGED CONNECTIONS.
3. PROPER OPERATION REQUIRES THAT MINIMUM DISTANCES OF STRAIGHT PIPE RUNS BE MAINTAINED BOTH UPSTREAM AND DOWNSTREAM FROM FLOWMETER. REFER TO MANUFACTURER'S INSTRUCTIONS BEFORE ATTEMPTING INSTALLATION.
4. METER RANGE IN 50% TO 200% OF NOMINAL FLOW. DIAL IS DIRECT READING IN G.P.M. AND L.P.M. FOR THE SPECIFIED RANGE.
5. PART NUMBER INCLUDES COMPLETE ASSEMBLY OF VENTURI, 4" DIAMETER DIAL AND INTERCONNECTING HOSES.
6. EACH ASSEMBLY TO BE INDIVIDUALLY BOXED, WITH THE AURORA PART NO. CLEARLY MARKED ON THE OUTSIDE OF THE BOX.

AURORA® FIRE PUMPS

OPTION 91 - FLOW METERING SYSTEM



Global Vision Flow Meters

NOMINAL FLOW RATE G.P.M.	PIPE SIZE	CLASS 150 FLANGES			CLASS 300 FLANGES		
		OPTION NUMBER	"A" DIM.	AURORA PUMP PART NUMBER	OPTION NUMBER	"A" DIM.	AURORA PUMP PART NUMBER
150	3	91AJM	9.375	366 0879 649	91ALR	10.250	366 0916 649
200	3	91AJN	9.375	366 0880 649	91ALT	10.250	366 0917 649
250	4	91AJR	11.375	366 0882 649	91AMA	12.125	366 0919 649
300	4	91AJW	11.375	366 0884 649	91AMC	12.125	366 0921 649
400	4	91AKA	11.375	366 0885 649	91AMD	12.125	366 0922 649
450	4	91AKB	11.375	366 0886 649	91AME	12.125	366 0923 649
	5	91AKC	13.000	366 0887 649	91AMF	13.750	366 0924 649
500	5	91AKE	13.000	366 0889 649	91AMH	13.750	366 0926 649
	6	91AKF	14.000	366 0890 649	91AMJ	14.750	366 0927 649
750	5	91AKG	13.000	366 0891 649	91AMK	13.750	366 0928 649
	6	91AKH	14.000	366 0892 649	91AML	14.750	366 0929 649
1000	6	91AKJ	14.000	366 0893 649	91AMM	14.750	366 0930 649
	8	91AKK	15.250	366 0894 649	91AMN	16.000	366 0931 649
1250	6	91AKL	14.000	366 0895 649	91AMP	14.750	366 0932 649
	8	91AKM	15.250	366 0896 649	91AMR	16.000	366 0933 649
1500	8	91AKN	15.250	366 0897 649	91AMT	16.000	366 0934 649
	10	91AKP	16.000	366 0898 649	91AMW	17.250	366 0935 649
2000	8	91AKR	15.250	366 0899 649	91ANA	16.000	366 0936 649
	10	91AKT	16.000	366 0900 649	91ANB	17.250	366 0937 649
2500	8	91AKW	15.250	366 0901 649	91ANC	16.000	366 0938 649
	10	91ALA	16.000	366 0902 649	91AND	17.250	366 0939 649
3000	12	91ALB	21.000	366 0903 649	91ANE	22.250	366 0940 649
	8	91ALC	15.250	366 0904 649	91ANF	16.000	366 0941 649
	10	91ALD	16.000	366 0905 649	91ANG	17.250	366 0942 649
3500	12	91ALE	21.000	366 0906 649	91ANH	22.250	366 0943 649
	10	91ALF	16.000	366 0907 649	91ANJ	17.250	366 0944 649
	12	91ALG	21.000	366 0908 649	91ANK	22.250	366 0945 649
4000	10	91ALH	16.000	366 0909 649	91ANL	17.250	366 0946 649
	12	91ALJ	21.000	366 0910 649	91ANM	22.250	366 0947 649
4500	10	91ALK	16.000	366 0911 649	91ANN	17.250	366 0948 649
	12	91ALL	21.000	366 0912 649	91ANP	22.250	366 0949 649
5000	12	91ALN	21.000	366 0914 649	91ANT	22.250	366 0951 649

See Notes on pages 207 and 208 section 916