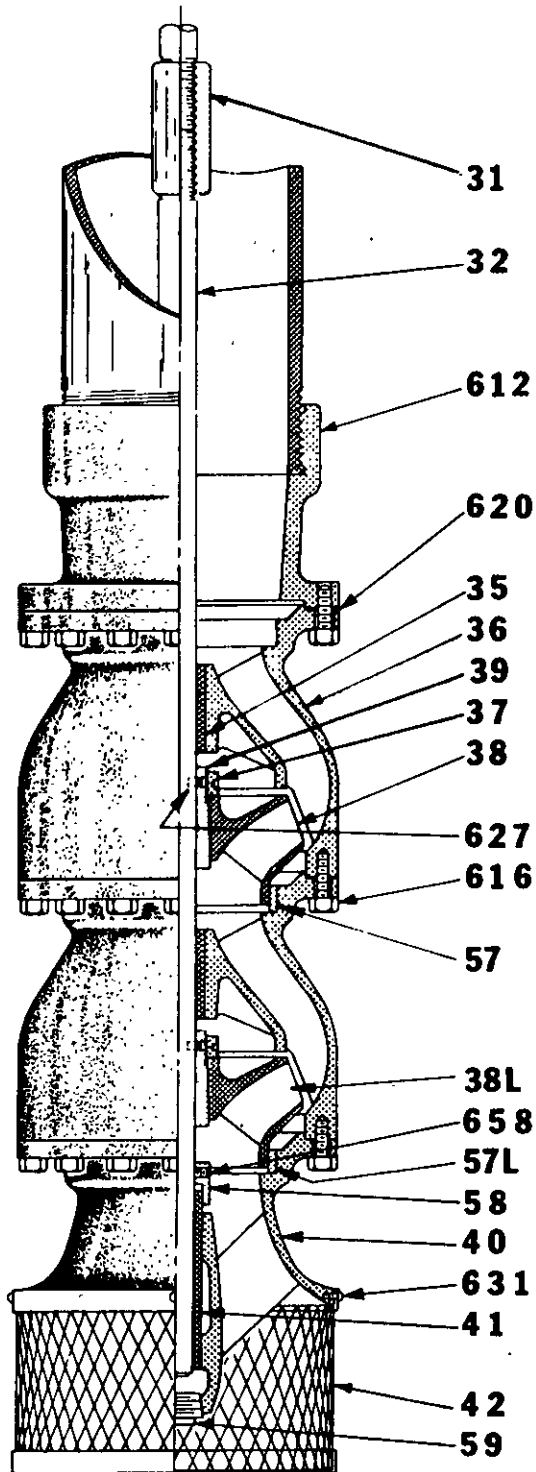


SECTIONAL DRAWING
19G SHORT COUPLED BOWL
OPEN LINE SHAFT
THREADED DISCHARGE CONN.

SECTION 4100
DRWG. NO. 8511-B03D
DATE Nov. 1, 1978
SUPERSEDES June '77



ITEM NO	PART NAME	MATERIAL	
		STD	OPTIONAL
660	BOWL ASSY	---	---
* 31	IMP. SHAFT COUPLING	STEEL	
32	IMPELLER SHAFT	410SS	
35	BEARING, INT.	BRONZE	
36	INTERMEDIATE	C.I. CL30	
37	COLLET LOCK NUT	BRONZE	
38	IMPELLER	BRONZE	
* 38L	IMPELLER, LOW NPSH	BRONZE	
39	REVERSE COLLET	STN. STL.	
40	SUCTION BELL	C.I. CL 30	
41	BEARING, SUCTION	BRONZE	
◆ 42	STRAINER	STEEL	
57	WEAR RING	BRONZE	
* 57L	WEAR RING, LOW NPSH	BRONZE	
■ 58	SAND COLLAR	BRONZE	
■ 59	SUCTION PLUG	C.I.	
612	DISCHARGE ADAPTOR	C.I. CL30	
616	CAP SCREW	STEEL	
△ 620	GASKET, BOWL	---	
627	PIN, REVERSE COLLET	STN STL	
631	MACH. SCREW, STRAINER	STN. STL	
658	SET SCREW, COLLAR	STN STL	

* NOT FURNISHED FOR DIRECT CONNECT UNITS.

◆ OPTIONAL-FURNISHED ONLY WHEN SPECIFIED.

■ NOT FURNISHED WHEN AN OPTIONAL SYNTHETIC SUCTION BEARING MATERIAL IS SPECIFIED.

△ OPTIONAL-FURNISHED WHEN SPECIFIED OR WHEN REQUIRED DUE TO BOWL PRESSURE LIMITATIONS.

* OPTIONAL FOR 19GH-FURNISHED WHEN SPECIFIED OR WHEN REQUIRED.



A Marley Company
LAYNE & BOWLER, INC.
 MEMPHIS, TN 38108 USA

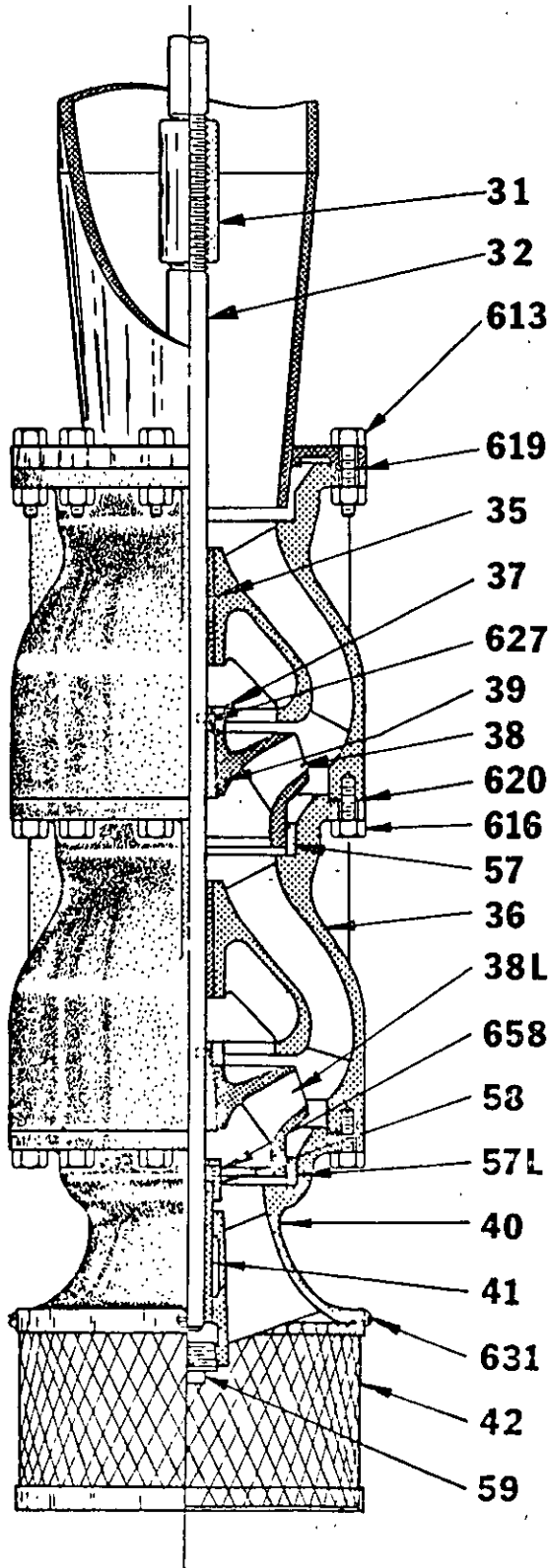
SECTIONAL DRAWING

19G SHORT COUPLED BOWL

OPEN LINE SHAFT

FLANGED DISCHARGE CONN.

SECTION 4100
 DRWG. NO. 8511-805D
 DATE Nov. 1, 1978
 SUPERSEDES June '77



NO. ITEM	PART NAME	MATERIAL	
		STD	OPTIONAL
660	BOWL ASSY	----	
* 31	IMP SHAFT COUPLING	STEEL	
32	IMPELLER SHAFT	410SS	
35	BEARING, INT.	BRONZE	
36	INTERMEDIATE	C I CL30	
37	COLLET LOCK NUT	BRONZE	
38	IMPELLER	BRONZE	
* 38L	IMPELLER, LOW NPSH	BRONZE	
39	REVERSE COLLET	STN.STL.	
40	SUCTION BELL	C I CL30	
41	BEARING,SUCTION	BRONZE	
◆ 42	STRAINER	STEEL	
57	WEAR RING	BRONZE	
* 57L	WEAR RING, LOW NPSH	BRONZE	
■ 58	SAND COLLAR	BRONZE	
■ 59	SUCTION PLUG	STL/C I	
● 613	MACH BOLT COL/BOWL	STEEL	
616	CAP SCREW, BOWL	STEEL	
△ 619	GASKET, COL/BOWL	----	
△ 620	GASKET, BOWL	----	
627	PIN, REVERSE COLLET	STN STL	
631	MACH SCREW, STRAINER	STN STL	
658	SET SCREW, COLLAR	STN STL	

◆ OPTIONAL-FURNISHED ONLY WHEN SPECIFIED.

■ NOT FURNISHED WHEN AN OPTIONAL SYNTHETIC SUCTION BEARING MATERIAL IS SPECIFIED.

△ OPTIONAL-FURNISHED WHEN SPECIFIED OR WHEN REQUIRED DUT TO BOWL PRESSURE LIMITATIONS.

● FOR DIRECT CONNECT UNITS, ITEM 613 IS A CAP SCREW

* NOT FURNISHED FOR DIRECT CONNECT UNITS

* OPTIONAL FOR 19GH - FURNISHED WHEN SPECIFIED OR WHEN REQUIRED.

NOTE
 THIS DRAWING ALSO COVERS THE FOLLOWING INACTIVE BOWL

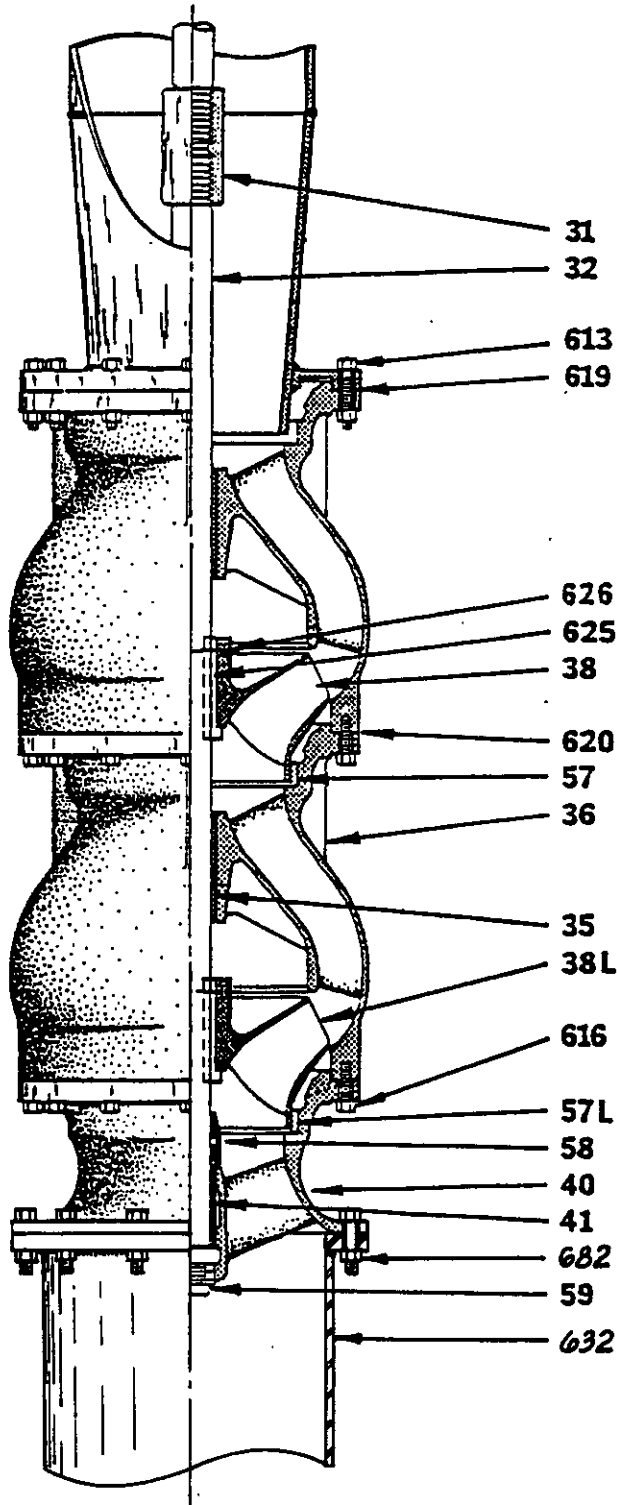
30GB



A Martin Company
LAYNE & BOWLER
 MEMPHIS, TENN. 38108

SECTIONAL DRAWING
19G SHORT CPLD BOWL
OPEN LINE SHAFT
GIB KEY CONSTRUCTION
FOR SUCTION PIPE

DWG NO: _____
 DATE: _____



ITEM NO.	PART NAME	MATERIAL	
		STD.	OPTIONAL
650	BOWL ASSY.	---	
31	IMP. SHAFT COUPLING	STEEL	
32	IMPELLER SHAFT	410 SS	
35	BEARING, INT.	BRONZE	
36	INTERMEDIATE	C.J.CL30	
38	IMPELLER	BRONZE	
38L	IMPELLER, LOW N.P.S.H.	BRONZE	
40	SUCTION BELL F/SUCT PIPE	C.J.CL30	
41	BEARING, SUCTION	BRONZE	
57	WEAR RING	BRONZE	
57L	WEAR RING, LOW N.P.S.H.	BRONZE	
58	SAND COLLAR	RUBBER	
59	SUCTION PLUG	C.J.	
613	MACH. BOLT, BOWL TO CDL	STEEL	
616	CAP SCREW, BOWL	STEEL	
619	GASKET, BOWL/CDL	---	
620	GASKET, BOWL	---	
625	GIB KEY, IMPELLER	STN. STL	
626	SET SCREW, IMPELLER	STN. STL	
632	SUCTION PIPE	STEEL	
682	MACH BOLT, SUCT PIPE/BOWL	STEEL	

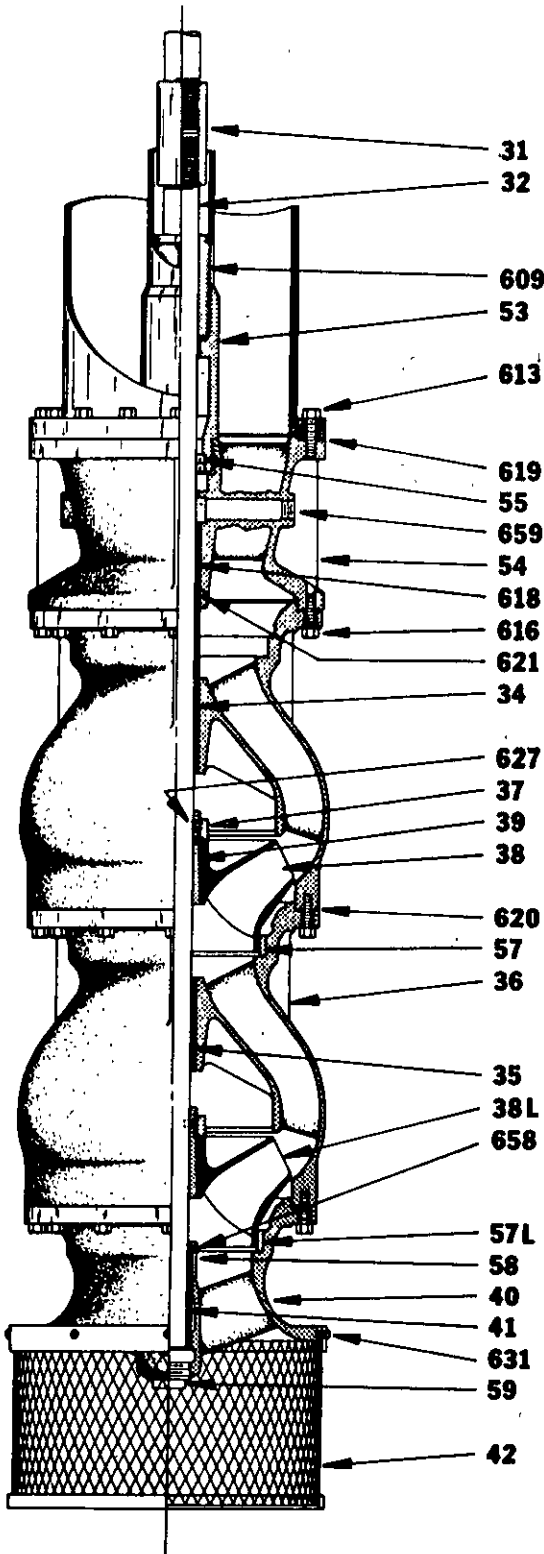
SECTIONAL DRAWING

19 G SHORT COUPLED BOWL

ENCLOSED LINE SHAFT

FLANGED DISCHARGE CONN.

SECTION 4100
DRWG. NO. 8511-B14C
DATE Nov. 1, 1978
SUPERSEDES



ITEM NO	PART NAME	MATERIAL	
		STD	OPTIONAL
660	BOWL ASSY	-----	
31	IMP SHAFT COUPLING	STEEL	
32	IMPELLER SHAFT	410SS	
34	BEARING, TOP INT.	BRONZE	
35	BEARING, INT.	BRONZE	
36	INTERMEDIATE	C.I. CL 30	
37	COLLET LOCK NUT	BRONZE	
38	IMPELLER	BRONZE	
★ 38L	IMPELLER, LOW NPSH	BRONZE	
39	REVERSE COLLET	STN. STL	
40	SUCTION BELL	C.I. CL 30	
41	BEARING, SUCTION	BRONZE	
◆ 42	STRAINER	STEEL	
53	TUBE ADAPTOR	C.I. CL 30	
54	DISCHARGE NOZZLE	C.I. CL 30	
● 55	OIL SEAL (2)	RUBBER	
57	WEAR RING	BRONZE	
▲ 57L	WEAR RING, LOW NPSH	BRONZE	
■ 58	SAND COLLAR	BRONZE	
■ 59	SUCTION PLUG	C.I.	
609	MAIN BEARING	BRONZE	
613	CAP SCREW COL/BOWL	STEEL	
○ 621	O-RING, TOP INT. BRG	RUBBER	
616	CAP SCREW, BOWL	STEEL	
618	BEARING, DISCH. NOZZLE	BRONZE	
□ 619	GASKET, COL/BOWL	-----	
△ 620	GASKET, BOWL	-----	
627	PIN, REVERSE COLLET	STN STL	
631	MACH. SCREW, STRAINER	STN. STL	
658	SET SCREW, COLLAR	STN. STL	
★ 659	PLUG, RELIEF PORT (2)	C.I.	

★ OPTIONAL FOR 19GH - FURNISHED WHEN SPECIFIED OR WHEN REQUIRED.

◆ OPTIONAL - FURNISHED ONLY WHEN SPECIFIED.

● NOT FURNISHED WITH FORCED WATER LUBRICATION.

■ NOT FURNISHED WHEN AN OPTIONAL SYNTHETIC SUCTION BEARING MATERIAL IS SPECIFIED.

○ APPLICABLE FOR 30GB BOWL ONLY.

□ OPTIONAL - FURNISHED WHEN SPECIFIED OR WHEN OPERATING PRESSURE IS 250 PSI AND GREATER.

△ OPTIONAL - FURNISHED WHEN SPECIFIED OR WHEN REQUIRED BY BOWL PRESSURE LIMITATIONS.

★ PORTS NORMALLY OPEN - PLUGS FURNISHED ONLY WITH FORCED WATER LUBRICATION WHEN LUBE PRESSURE EXCEEDS BOWL OPERATING PRESSURE.

NOTE:
THIS DRAWING ALSO COVERS INACTIVE CONSTRUCTION ON THE FOLLOWING PUMP:
30GB