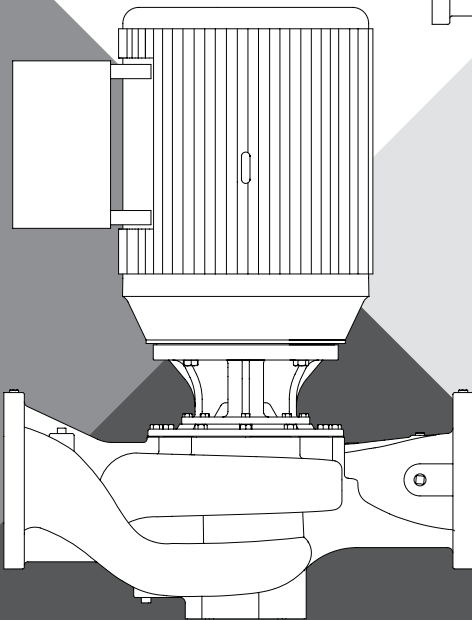
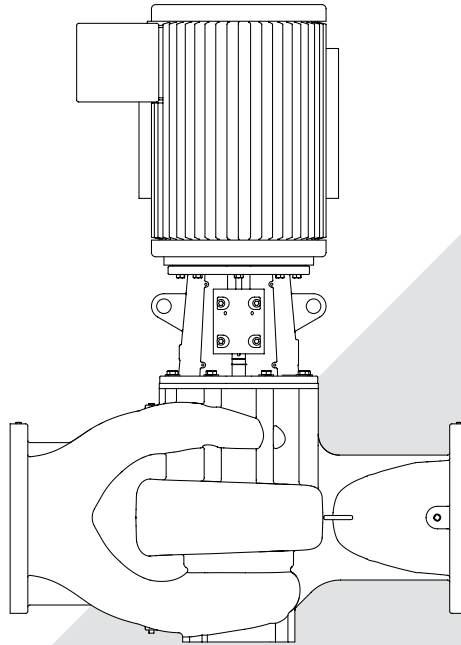


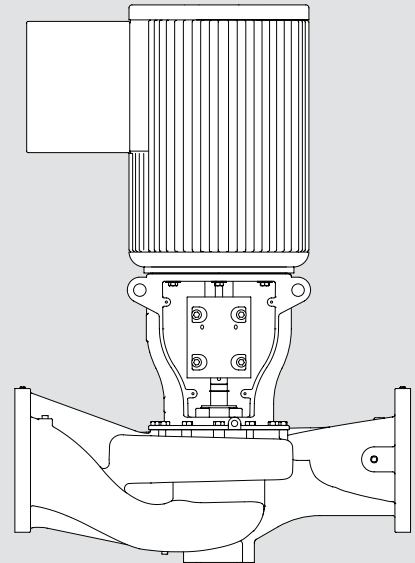
**VERTICAL IN-LINE CLOSE COUPLED AND
SPLIT COUPLED PUMPS**
382B SERIES



CLOSE COUPLED PUMPS



SPLIT COUPLED PUMPS



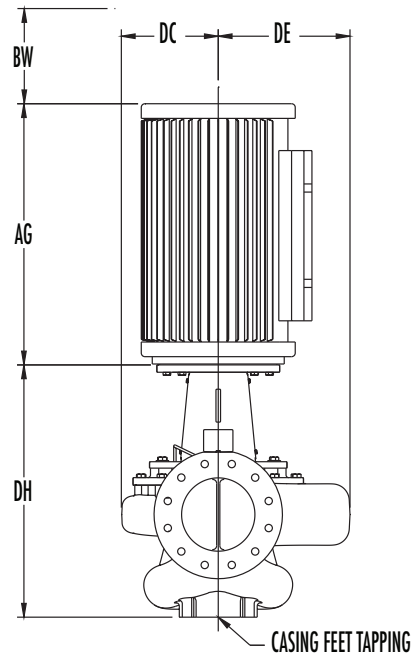
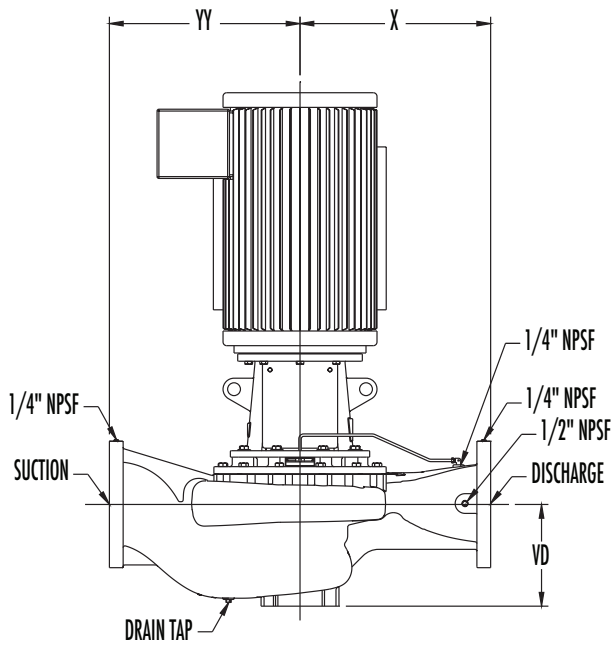
**DIMENSION TABLES
ADDENDUM**

TABLE OF CONTENTS

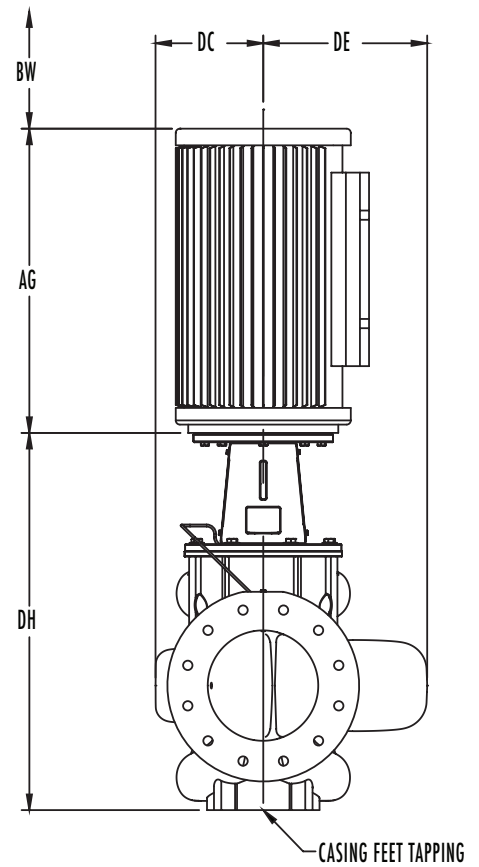
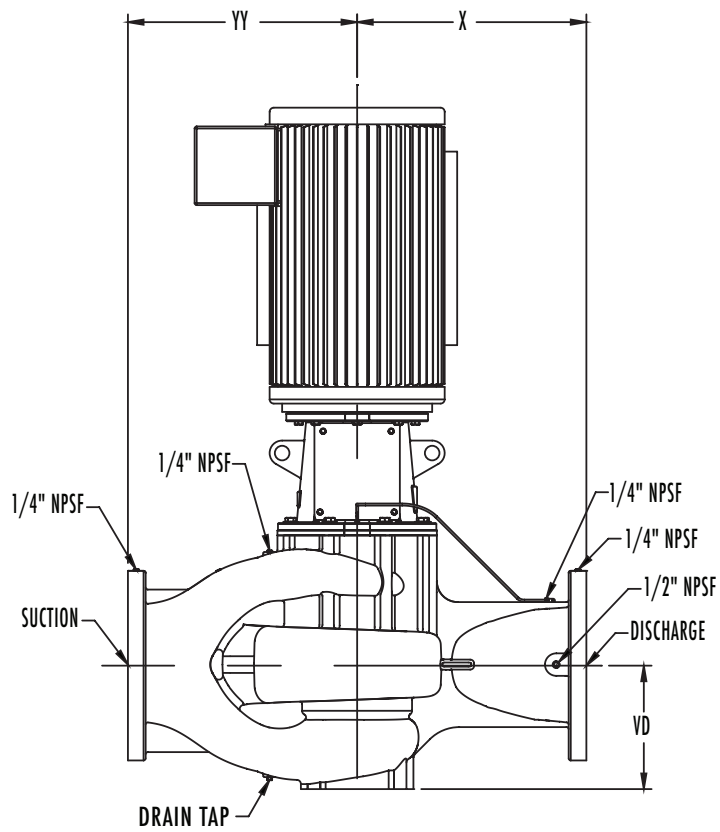
SECTION.....	PAGE
Pentair Aurora® Model 382B Split Coupled Pumps	3-13
7" Pumps	4-5
9.5" Pumps	6-7
11" Pumps	8-9
13.5" Pumps	10-11
10x10x14 through 14x14x18 Pumps	12-13
Pentair Aurora Model 382B Split Coupled Pumps with Optional Spool Base	14-24
7" Pumps	15-16
9.5" Pumps	17-18
11" Pumps	19-20
13.5" Pumps	21-22
10x10x14 through 14x14x18 Pumps	23-24
Pentair Aurora Model 382B Close Coupled Pumps	25-33
7" Pumps	26-27
9.5" Pumps	28-29
11" Pumps	30-31
13.5" Pumps	32-33
Pentair Aurora Model 382B Close Coupled Pumps with Optional Spool Base	34-42
7" Pumps	35-36
9.5" Pumps	37-38
11" Pumps	39-40
13.5" Pumps	41-42

PENTAIR AURORA® MODEL 382B SPLIT COUPLED PUMPS

SINGLE SUCTION PUMPS



DOUBLE SUCTION PUMPS



PENTAIR AURORA® MODEL 382B SPLIT COUPLED PUMPS

TC/TSC MOTOR FRAMES

FRAMES		143 TC	145 TC	184 TC	186 TC	213 TC
AG	ODP	12.00 (304)	12.00 (304)	14.00 (356)	14.00 (356)	17.00 (432)
	TEFC	13.00 (330)	13.00 (330)	13.00 (330)	13.00 (330)	21.00 (533)
FRAMES		215 TC	254TC	256 TC	284 TC/TSC	286 TC/TSC
AG	ODP	18.00 (457)	22.00 (559)	22.00 (559)	23.00 (584)	23.00 (584)
	TEFC	21.00 (533)	25.00 (635)	25.00 (635)	27.00 (686)	27.00 (686)
FRAMES		324 TC/TSC	326 TC/TSC	364 TC/TSC	365 TC/TSC	404 TC/TSC
AG	ODP	23.00 (584)	23.00 (584)	25.00 (635)	25.00 (635)	28.00 (711)
	TEFC	28.00 (711)	29.00 (737)	35.00 (889)	35.00 (889)	36.00 (914)
FRAMES		405 TC/TSC	444 TC/TSC	445 TC/TSC	447 TC	449 TC
AG	ODP	28.00 (711)	33.00 (838)	35.00 (889)	38.00 (965)	40.00 (1016)
	TEFC	36.00 (914)	38.00 (965)	38.00 (965)	41.00 (1041)	49.00 (1245)

7" PUMPS

Pump Size	Frame	X	DC ⁷	DE ⁷	DH	YY	VD	BW		Pump Weight Excluding Motor	Casing Feet Tapping ⁸	Drain Tap (NPSF)
								Minimum	Recommended			
1.5x1.5x7	140 TC	7.50 (191)	4.56 (116)	4.90 (124)	18.45 (469)	7.50 (191)	4.81 (122)	2.50 (64)	3.75 (95)	125 (57)	1.5" Flange	1/2"
1.5x1.5x7	180 TC	7.50 (191)	5.00 (127)	5.00 (127)	18.45 (469)	7.50 (191)	4.81 (122)	3.00 (76)	3.75 (95)	125 (57)	1.5" Flange	1/2"
1.5x1.5x7	210 TC	7.50 (191)	5.50 (140)	5.50 (140)	18.45 (469)	7.50 (191)	4.81 (122)	3.50 (89)	3.75 (95)	125 (57)	1.5" Flange	1/2"
2x2x7A	140 TC	8.50 (216)	4.56 (116)	5.12 (130)	19.50 (495)	8.50 (216)	5.31 (135)	2.50 (64)	4.38 (111)	135 (61)	2" Flange	1/2"
2x2x7A	180 TC	8.50 (216)	5.00 (127)	5.12 (130)	19.50 (495)	8.50 (216)	5.31 (135)	3.00 (76)	4.38 (111)	135 (61)	2" Flange	1/2"
2x2x7A	210 TC	8.50 (216)	5.50 (140)	5.50 (140)	19.50 (495)	8.50 (216)	5.31 (135)	3.50 (89)	4.38 (111)	135 (61)	2" Flange	1/2"
2x2x7A	250 TC	8.50 (216)	6.94 (176)	6.94 (176)	22.51 (572)	8.50 (216)	5.31 (135)	4.50 (114)	4.50 (114)	175 (79)	2" Flange	1/2"
2.5x2.5x7A	140 TC	9.00 (229)	4.67 (119)	5.39 (137)	20.17 (512)	9.00 (229)	5.88 (149)	2.50 (64)	5.00 (127)	150 (68)	2" Flange	1/2"
2.5x2.5x7A	180 TC	9.00 (229)	5.00 (127)	5.12 (130)	20.17 (512)	9.00 (229)	5.88 (149)	3.00 (76)	5.00 (127)	150 (68)	2" Flange	1/2"
2.5x2.5x7A	210 TC	9.00 (229)	5.50 (140)	5.50 (140)	20.17 (512)	9.00 (229)	5.88 (149)	3.50 (89)	5.00 (127)	150 (68)	2" Flange	1/2"
2.5x2.5x7A	250 TC	9.00 (229)	6.94 (176)	6.94 (176)	23.18 (589)	9.00 (229)	5.88 (149)	4.50 (114)	5.00 (127)	190 (86)	2" Flange	1/2"
3x3x7	140 TC	9.50 (241)	4.99 (127)	5.77 (147)	21.20 (538)	9.50 (241)	6.98 (177)	2.50 (64)	4.75 (121)	165 (75)	2.5" Flange	1/2"
3x3x7	180 TC	9.50 (241)	4.99 (127)	5.77 (147)	21.20 (538)	9.50 (241)	6.98 (177)	3.00 (76)	4.75 (121)	165 (75)	2.5" Flange	1/2"
3x3x7	210 TC	9.50 (241)	5.50 (140)	5.77 (147)	21.20 (538)	9.50 (241)	6.98 (177)	3.50 (89)	4.75 (121)	165 (75)	2.5" Flange	1/2"
3x3x7	250 TC	9.50 (241)	6.66 (169)	6.66 (169)	24.21 (615)	9.50 (241)	6.98 (177)	4.50 (114)	4.75 (121)	205 (93)	2.5" Flange	1/2"

NOTES:

- All dimensions are in inches (mm) and may vary $\pm 1/4(6)$.
- Not for construction purposes unless certified.
- N/A = Not applicable.
- Conduit box is shown in approximate location. Dimensions are not specified as they vary with each motor manufacturer.
- Suction and discharge flanges - 125# ANSI Standard flat face.
- Optionally available - Suction and discharge flanges - 250# ANSI Standard flat face.
- Dimensions DC & DE are unit's extreme dimensions and not limited to pump casing, and may vary with each motor manufacturer.
- Casing feet tapping - (4) Tapped holes matching 125# ANSI standard flanges.
- BW Minimum - Minimum height needed to remove motor, and then disassemble pump.
- BW Recommended - Height needed to remove motor, motor bracket and impeller as one assembly.

PENTAIR AURORA® MODEL 382B SPLIT COUPLED PUMPS

7" PUMPS

Pump Size	Frame	X	DC ⁷	DE ⁷	DH	YY	VD	BW		Pump Weight Excluding Motor	Casing Feet Tapping ⁸	Drain Tap (NPSF)
								Minimum	Recommended			
3x3x7	280 TSC	9.50 (241)	7.84 (199)	7.84 (199)	24.21 (615)	9.50 (241)	6.98 (177)	5.00 (127)	5.00 (127)	205 (93)	2.5" Flange	1/2"
4x4x7A	140 TC	10.50 (267)	5.06 (129)	6.16 (156)	21.64 (550)	10.50 (267)	7.56 (192)	2.50 (64)	4.69 (119)	195 (88)	3" Flange	1/2"
4x4x7A	180 TC	10.50 (267)	5.06 (129)	6.16 (156)	21.64 (550)	10.50 (267)	7.56 (192)	3.00 (76)	4.69 (119)	195 (88)	3" Flange	1/2"
4x4x7A	210 TC	10.50 (267)	5.50 (140)	6.16 (156)	21.64 (550)	10.50 (267)	7.56 (192)	3.50 (89)	4.69 (119)	195 (88)	3" Flange	1/2"
4x4x7A	250 TC	10.50 (267)	6.94 (176)	6.94 (176)	24.65 (626)	10.50 (267)	7.56 (192)	4.50 (114)	4.69 (119)	235 (107)	3" Flange	1/2"
4x4x7A	280 TSC	10.50 (267)	7.84 (199)	7.84 (199)	24.65 (626)	10.50 (267)	7.56 (192)	4.75 (121)	4.75 (121)	235 (107)	3" Flange	1/2"
4x4x7A	320 TSC	10.50 (267)	8.59 (218)	8.59 (218)	24.65 (626)	10.50 (267)	7.56 (192)	5.50 (140)	5.50 (140)	235 (107)	3" Flange	1/2"
5x5x7A	140 TC	12.00 (305)	5.83 (148)	8.31 (211)	21.81 (554)	13.50 (343)	7.50 (191)	2.50 (64)	4.88 (124)	240 (109)	4" Flange	1/2"
5x5x7A	180 TC	12.00 (305)	5.83 (148)	8.31 (211)	21.81 (554)	13.50 (343)	7.50 (191)	3.00 (76)	4.88 (124)	240 (109)	4" Flange	1/2"
5x5x7A	210 TC	12.00 (305)	5.83 (148)	8.31 (211)	21.81 (554)	13.50 (343)	7.50 (191)	3.50 (89)	4.88 (124)	240 (109)	4" Flange	1/2"
5x5x7A	250 TC	12.00 (305)	6.66 (169)	8.31 (211)	24.82 (630)	13.50 (343)	7.50 (191)	4.50 (114)	4.88 (124)	280 (127)	4" Flange	1/2"
5x5x7A	280 TSC	12.00 (305)	7.84 (199)	8.31 (211)	24.82 (630)	13.50 (343)	7.50 (191)	5.00 (127)	5.00 (127)	280 (127)	4" Flange	1/2"
5x5x7A	320 TSC	12.00 (305)	8.59 (218)	8.59 (218)	24.82 (630)	13.50 (343)	7.50 (191)	5.50 (140)	5.50 (140)	280 (127)	4" Flange	1/2"
5x5x7A	360 TSC	12.00 (305)	10.12 (257)	10.12 (257)	27.14 (689)	13.50 (343)	7.50 (191)	6.50 (165)	6.50 (165)	290 (132)	4" Flange	1/2"
6x6x7A	140 TC	14.00 (356)	6.70 (170)	9.91 (252)	24.37 (619)	14.00 (356)	9.81 (249)	2.50 (64)	5.88 (149)	320 (135)	3" Flange	1/2"
6x6x7A	180 TC	14.00 (356)	6.70 (170)	9.91 (252)	24.37 (619)	14.00 (356)	9.81 (249)	3.00 (76)	5.88 (149)	320 (135)	3" Flange	1/2"
6x6x7A	210 TC	14.00 (356)	6.70 (170)	9.91 (252)	24.37 (619)	14.00 (356)	9.81 (249)	3.50 (89)	5.88 (149)	320 (135)	3" Flange	1/2"
6x6x7A	250 TC	14.00 (356)	6.70 (170)	9.91 (252)	27.38 (695)	14.00 (356)	9.81 (249)	4.50 (114)	5.88 (149)	360 (163)	3" Flange	1/2"
6x6x7A	280 TSC	14.00 (356)	7.84 (199)	9.91 (252)	27.38 (695)	14.00 (356)	9.81 (249)	5.00 (127)	5.88 (149)	360 (163)	3" Flange	1/2"
6x6x7A	320 TSC	14.00 (356)	8.59 (218)	9.91 (252)	27.38 (695)	14.00 (356)	9.81 (249)	5.50 (140)	5.88 (149)	360 (163)	3" Flange	1/2"
6x6x7A	360 TSC	14.00 (356)	10.12 (257)	10.12 (257)	29.70 (754)	14.00 (356)	9.81 (249)	6.50 (165)	6.50 (165)	370 (168)	3" Flange	1/2"

NOTES:

- All dimensions are in inches (mm) and may vary ± 1/4(6).
- Not for construction purposes unless certified.
- N/A = Not applicable.
- Conduit box is shown in approximate location. Dimensions are not specified as they vary with each motor manufacturer.
- Suction and discharge flanges - 125# ANSI Standard flat face.
- Optionally available - Suction and discharge flanges - 250# ANSI Standard flat face.
- Dimensions DC & DE are unit's extreme dimensions and not limited to pump casing, and may vary with each motor manufacturer.
- Casing feet tapping - (4) Tapped holes matching 125# ANSI standard flanges.
- BW Minimum - Minimum height needed to remove motor, and then disassemble pump.
- BW Recommended - Height needed to remove motor, motor bracket and impeller as one assembly.

PENTAIR AURORA® MODEL 382B SPLIT COUPLED PUMPS

TC/TSC MOTOR FRAMES

FRAMES		143 TC	145 TC	184 TC	186 TC	213 TC
AG	ODP	12.00 (304)	12.00 (304)	14.00 (356)	14.00 (356)	17.00 (432)
	TEFC	13.00 (330)	13.00 (330)	13.00 (330)	13.00 (330)	21.00 (533)
FRAMES		215 TC	254 TC	256 TC	284 TC/TSC	286 TC/TSC
AG	ODP	18.00 (457)	22.00 (559)	22.00 (559)	23.00 (584)	23.00 (584)
	TEFC	21.00 (533)	25.00 (635)	25.00 (635)	27.00 (686)	27.00 (686)
FRAMES		324 TC/TSC	326 TC/TSC	364 TC/TSC	365 TC/TSC	404 TC/TSC
AG	ODP	23.00 (584)	23.00 (584)	25.00 (635)	25.00 (635)	28.00 (711)
	TEFC	28.00 (711)	29.00 (737)	35.00 (889)	35.00 (889)	36.00 (914)
FRAMES		405 TC/TSC	444 TC/TSC	445 TC/TSC	447 TC	449 TC
AG	ODP	28.00 (711)	33.00 (838)	35.00 (889)	38.00 (965)	40.00 (1016)
	TEFC	36.00 (914)	38.00 (965)	38.00 (965)	41.00 (1041)	49.00 (1245)

9.5" PUMPS

Pump Size	Frame	X	DC ⁷	DE ⁷	DH	YY	VD	BW		Pump Weight Excluding Motor	Casing Feet Tapping ⁸	Drain Tap (NPSF)
								Minimum	Recommended			
1.5x1.5x9.5	140 TC	9.50 (241)	6.00 (152)	6.03 (153)	19.44 (494)	9.50 (241)	5.63 (143)	2.50 (64)	4.00 (102)	160 (73)	1.5" Flange	1/2"
1.5x1.5x9.5	180 TC	9.50 (241)	6.00 (152)	6.03 (153)	19.44 (494)	9.50 (241)	5.63 (143)	3.00 (76)	4.00 (102)	160 (73)	1.5" Flange	1/2"
1.5x1.5x9.5	210 TC	9.50 (241)	6.00 (152)	6.03 (153)	19.44 (494)	9.50 (241)	5.63 (143)	3.50 (89)	4.00 (102)	160 (73)	1.5" Flange	1/2"
1.5x1.5x9.5	250 TC	9.50 (241)	6.66 (169)	6.66 (169)	22.51 (572)	9.50 (241)	5.63 (143)	4.50 (114)	4.50 (114)	185 (84)	1.5" Flange	1/2"
1.5x1.5x9.5	280 TSC	9.50 (241)	7.84 (199)	7.84 (199)	22.51 (572)	9.50 (241)	5.63 (143)	5.00 (127)	5.00 (127)	185 (84)	1.5" Flange	1/2"
2.5x2.5x9.5	180 TC	10.75 (273)	6.00 (152)	6.66 (169)	20.97 (533)	10.75 (273)	6.81 (173)	3.00 (76)	5.00 (127)	195 (88)	3" Flange	1/2"
2.5x2.5x9.5	210 TC	10.75 (273)	6.00 (152)	6.66 (169)	20.97 (533)	10.75 (273)	6.81 (173)	3.50 (89)	5.00 (127)	195 (88)	3" Flange	1/2"
2.5x2.5x9.5	250 TC	10.75 (273)	6.66 (169)	6.66 (169)	24.04 (611)	10.75 (273)	6.81 (173)	4.50 (114)	5.00 (127)	220 (100)	3" Flange	1/2"
2.5x2.5x9.5	280 TSC	10.75 (273)	7.84 (199)	7.84 (199)	24.04 (611)	10.75 (273)	6.81 (173)	5.00 (127)	5.00 (127)	220 (100)	3" Flange	1/2"
2.5x2.5x9.5	320 TSC	10.75 (273)	8.60 (218)	8.60 (218)	24.04 (611)	10.75 (273)	6.81 (173)	5.50 (140)	5.50 (127)	220 (100)	3" Flange	1/2"
2.5x2.5x9.5	360 TSC	10.75 (273)	10.12 (257)	10.12 (257)	29.25 (743)	10.75 (273)	6.81 (173)	6.50 (165)	6.50 (165)	280 (127)	3" Flange	1/2"
3x3x9.5	140 TC	11.50 (292)	6.11 (155)	6.81 (173)	21.19 (538)	11.50 (292)	6.88 (175)	2.50 (64)	5.50 (140)	195 (88)	3" Flange	1/2"
3x3x9.5	180 TC	11.50 (292)	6.11 (155)	6.81 (173)	21.19 (538)	11.50 (292)	6.88 (175)	3.00 (76)	5.50 (140)	195 (88)	3" Flange	1/2"
3x3x9.5	210 TC	11.50 (292)	6.11 (155)	6.81 (173)	21.19 (538)	11.50 (292)	6.88 (175)	3.50 (89)	5.50 (140)	195 (88)	3" Flange	1/2"
3x3x9.5	250 TC	11.50 (292)	6.66 (169)	6.81 (173)	24.26 (616)	11.50 (292)	6.88 (175)	4.50 (114)	5.50 (140)	225 (102)	3" Flange	1/2"
3x3x9.5	280 TSC	11.50 (292)	7.84 (199)	7.84 (199)	24.26 (616)	11.50 (292)	6.88 (175)	5.00 (127)	5.50 (140)	225 (102)	3" Flange	1/2"
3x3x9.5	320 TSC	11.50 (292)	8.60 (218)	8.60 (218)	24.26 (616)	11.50 (292)	6.88 (175)	5.50 (140)	5.50 (140)	225 (102)	3" Flange	1/2"
3x3x9.5	360 TSC	11.50 (292)	10.12 (257)	10.12 (257)	29.47 (749)	11.50 (292)	6.88 (175)	6.50 (165)	6.50 (165)	285 (129)	3" Flange	1/2"

NOTES:

- All dimensions are in inches (mm) and may vary ± 1/4(6).
- Not for construction purposes unless certified.
- N/A = Not applicable.
- Conduit box is shown in approximate location. Dimensions are not specified as they vary with each motor manufacturer.
- Suction and discharge flanges - 125# ANSI Standard flat face.
- Optionally available - Suction and discharge flanges - 250# ANSI Standard flat face.
- Dimensions DC & DE are unit's extreme dimensions and not limited to pump casing, and may vary with each motor manufacturer.
- Casing feet tapping - (4) Tapped holes matching 125# ANSI standard flanges.
- BW Minimum - Minimum height needed to remove motor, and then disassemble pump.
- BW Recommended - Height needed to remove motor, motor bracket and impeller as one assembly.

PENTAIR AURORA® MODEL 382B SPLIT COUPLED PUMPS

9.5" PUMPS

Pump Size	Frame	X	DC ⁷	DE ⁷	DH	YY	VD	BW		Pump Weight Excluding Motor	Casing Feet Tapping ⁸	Drain Tap (NPSF)
								Minimum	Recommended			
3x3x9.5	400 TSC	11.50 (292)	10.93 (278)	10.93 (278)	29.47 (749)	11.50 (292)	6.88 (175)	7.50 (191)	7.50 (191)	285 (129)	3" Flange	1/2"
4x4x9.5	140 TC	12.50 (318)	6.58 (167)	7.70 (196)	22.25 (565)	12.50 (318)	8.19 (208)	2.50 (64)	5.63 (143)	230 (104)	3" Flange	1/2"
4x4x9.5	180 TC	12.50 (318)	6.58 (167)	7.70 (196)	22.25 (565)	12.50 (318)	8.19 (208)	3.00 (76)	5.63 (143)	230 (104)	3" Flange	1/2"
4x4x9.5	210 TC	12.50 (318)	6.58 (167)	7.70 (196)	22.25 (565)	12.50 (318)	8.19 (208)	3.50 (89)	5.63 (143)	230 (104)	3" Flange	1/2"
4x4x9.5	250 TC	12.50 (318)	6.66 (169)	7.70 (196)	25.32 (643)	12.50 (318)	8.19 (208)	4.50 (114)	5.63 (143)	260 (118)	3" Flange	1/2"
4x4x9.5	280 TSC	12.50 (318)	7.84 (199)	7.84 (199)	25.32 (643)	12.50 (318)	8.19 (208)	5.00 (127)	5.63 (143)	260 (118)	3" Flange	1/2"
4x4x9.5	320 TSC	12.50 (318)	8.60 (218)	8.60 (218)	25.32 (643)	12.50 (318)	8.19 (208)	5.50 (140)	5.63 (143)	260 (118)	3" Flange	1/2"
4x4x9.5	360 TSC	12.50 (318)	10.12 (257)	10.12 (257)	30.53 (775)	12.50 (318)	8.19 (208)	6.50 (165)	6.50 (165)	320 (145)	3" Flange	1/2"
4x4x9.5	400 TSC	12.50 (318)	10.93 (278)	10.93 (278)	30.53 (775)	12.50 (318)	8.19 (208)	7.50 (191)	7.50 (191)	320 (145)	3" Flange	1/2"
4x4x9.5	440 TSC	12.50 (318)	11.79 (299)	11.79 (299)	30.53 (775)	12.50 (318)	8.19 (208)	8.75 (222)	8.75 (222)	320 (145)	3" Flange	1/2"
5x5x9.5	140 TC	14.50 (368)	6.79 (172)	9.52 (242)	23.03 (585)	14.50 (368)	8.98 (228)	2.50 (64)	5.50 (140)	310 (141)	4" Flange	1/2"
5x5x9.5	180 TC	14.50 (368)	6.79 (172)	9.52 (242)	23.03 (585)	14.50 (368)	8.98 (228)	3.00 (76)	5.50 (140)	310 (141)	4" Flange	1/2"
5x5x9.5	210 TC	14.50 (368)	6.79 (172)	9.52 (242)	23.03 (585)	14.50 (368)	8.98 (228)	3.50 (89)	5.50 (140)	310 (141)	4" Flange	1/2"
5x5x9.5	250 TC	14.50 (368)	6.79 (172)	9.52 (242)	26.10 (663)	14.50 (368)	8.98 (228)	4.50 (114)	5.50 (140)	340 (154)	4" Flange	1/2"
5x5x9.5	280 TC/ TSC	14.50 (368)	7.84 (199)	9.52 (242)	26.10 (663)	14.50 (368)	8.98 (228)	5.00 (127)	5.50 (140)	340 (154)	4" Flange	1/2"
5x5x9.5	320 TSC	14.50 (368)	8.60 (218)	9.52 (242)	26.10 (663)	14.50 (368)	8.98 (228)	5.50 (140)	5.50 (140)	340 (154)	4" Flange	1/2"
5x5x9.5	360 TSC	14.50 (368)	10.12 (257)	10.12 (257)	31.31 (795)	14.50 (368)	8.98 (228)	6.50 (165)	6.50 (165)	400 (181)	4" Flange	1/2"
5x5x9.5	400 TSC	14.50 (368)	10.93 (278)	10.93 (278)	31.31 (795)	14.50 (368)	8.98 (228)	7.50 (191)	7.50 (191)	400 (181)	4" Flange	1/2"
5x5x9.5	440 TSC	14.50 (368)	11.79 (299)	11.79 (299)	31.31 (795)	14.50 (368)	8.98 (228)	8.75 (222)	8.75 (222)	400 (181)	4" Flange	1/2"
6x6x9.5A	180 TC	16.75 (425)	7.59 (193)	10.70 (272)	25.31 (643)	16.75 (425)	10.87 (276)	3.00 (76)	6.00 (152)	370 (168)	4" Flange	1/2"
6x6x9.5A	210 TC	16.75 (425)	7.59 (193)	10.70 (272)	25.31 (643)	16.75 (425)	10.87 (276)	3.50 (89)	6.00 (152)	370 (168)	4" Flange	1/2"
6x6x9.5A	250 TC	16.75 (425)	7.59 (193)	10.70 (272)	28.38 (721)	16.75 (425)	10.87 (276)	4.50 (114)	6.00 (152)	400 (181)	4" Flange	1/2"
6x6x9.5A	280 TC	16.75 (425)	7.84 (199)	10.70 (272)	28.38 (721)	16.75 (425)	10.87 (276)	5.00 (127)	6.00 (152)	400 (181)	4" Flange	1/2"
8x8x9.5A*	250 TC	18.00 (457)	8.13 (207)	11.63 (295)	28.33 (720)	18.00 (457)	10.35 (263)	4.50 (114)	7.75 (197)	460 (209)	6" Flange	1/2"
8x8x9.5A*	280 TC	18.00 (457)	8.13 (207)	11.63 (295)	28.33 (720)	18.00 (457)	10.35 (263)	5.00 (127)	7.75 (197)	460 (209)	6" Flange	1/2"
8x8x9.5A*	320 TC	18.00 (457)	8.13 (207)	11.63 (295)	28.33 (720)	18.00 (457)	10.35 (263)	5.50 (140)	7.75 (197)	460 (209)	6" Flange	1/2"

*Temporarily unavailable until further notice.

NOTES:

- All dimensions are in inches (mm) and may vary ± 1/4 (6).
- Not for construction purposes unless certified.
- N/A = Not applicable.
- Conduit box is shown in approximate location. Dimensions are not specified as they vary with each motor manufacturer.
- Suction and discharge flanges - 125# ANSI Standard flat face.
- Optionally available - Suction and discharge flanges - 250# ANSI Standard flat face.
- Dimensions DC & DE are unit's extreme dimensions and not limited to pump casing, and may vary with each motor manufacturer.
- Casing feet tapping - (4) Tapped holes matching 125# ANSI standard flanges.
- BW Minimum - Minimum height needed to remove motor, and then disassemble pump.
- BW Recommended - Height needed to remove motor, motor bracket and impeller as one assembly.

PENTAIR AURORA® MODEL 382B SPLIT COUPLED PUMPS

TC/TSC MOTOR FRAMES

FRAMES		143 TC	145 TC	184 TC	186 TC	213 TC
AG	ODP	12.00 (304)	12.00 (304)	14.00 (356)	14.00 (356)	17.00 (432)
	TEFC	13.00 (330)	13.00 (330)	13.00 (330)	13.00 (330)	21.00 (533)
FRAMES		215 TC	254TC	256 TC	284 TC/TSC	286 TC/TSC
AG	ODP	18.00 (457)	22.00 (559)	22.00 (559)	23.00 (584)	23.00 (584)
	TEFC	21.00 (533)	25.00 (635)	25.00 (635)	27.00 (686)	27.00 (686)
FRAMES		324 TC/TSC	326 TC/TSC	364 TC/TSC	365 TC/TSC	404 TC/TSC
AG	ODP	23.00 (584)	23.00 (584)	25.00 (635)	25.00 (635)	28.00 (711)
	TEFC	28.00 (711)	29.00 (737)	35.00 (889)	35.00 (889)	36.00 (914)
FRAMES		405 TC/TSC	444 TC/TSC	445 TC/TSC	447 TC	449 TC
AG	ODP	28.00 (711)	33.00 (838)	35.00 (889)	38.00 (965)	40.00 (1016)
	TEFC	36.00 (914)	38.00 (965)	38.00 (965)	41.00 (1041)	49.00 (1245)

11" PUMPS

Pump Size	Frame	X	DC ⁷	DE ⁷	DH	YY	VD	BW		Pump Weight Excluding Motor	Casing Feet Tapping ⁸	Drain Tap (NPSF)
								Minimum	Recommended			
2x2x11	140 TC	11.00 (279)	6.94 (176)	6.94 (176)	19.91 (506)	11.00 (279)	5.88 (149)	2.50 (64)	4.00 (102)	210 (95)	2" Flange	1/2"
2x2x11	180 TC	11.00 (279)	6.94 (176)	6.94 (176)	19.91 (506)	11.00 (279)	5.88 (149)	3.00 (76)	4.00 (102)	210 (95)	2" Flange	1/2"
2x2x11	210 TC	11.00 (279)	6.94 (176)	6.94 (176)	19.91 (506)	11.00 (279)	5.88 (149)	3.50 (89)	4.00 (102)	210 (95)	2" Flange	1/2"
2x2x11	250 TC	11.00 (279)	6.94 (176)	6.94 (176)	23.27 (591)	11.00 (279)	5.88 (149)	4.50 (114)	4.50 (114)	245 (111)	2" Flange	1/2"
2x2x11	280 TC/TSC	11.00 (279)	6.94 (176)	7.00 (178)	23.27 (591)	11.00 (279)	5.88 (149)	5.00 (127)	5.00 (127)	245 (111)	2" Flange	1/2"
2x2x11	320 TC/TSC	11.00 (279)	8.60 (218)	8.60 (218)	23.27 (591)	11.00 (279)	5.88 (149)	5.50 (140)	5.50 (140)	250 (113)	2" Flange	1/2"
3x3x11A	140 TC	12.50 (318)	6.94 (176)	7.36 (187)	20.83 (529)	11.50 (292)	7.00 (178)	2.50 (64)	6.00 (152)	210 (95)	2" Flange	1/2"
3x3x11A	180 TC	12.50 (318)	6.94 (176)	7.36 (187)	20.83 (529)	11.50 (292)	7.00 (178)	3.00 (76)	6.00 (152)	210 (95)	2" Flange	1/2"
3x3x11A	210 TC	12.50 (318)	6.94 (176)	7.36 (187)	20.83 (529)	11.50 (292)	7.00 (178)	3.50 (89)	6.00 (152)	210 (95)	2" Flange	1/2"
3x3x11A	250 TC	12.50 (318)	6.94 (176)	7.36 (187)	24.08 (612)	11.50 (292)	7.00 (178)	4.50 (114)	6.00 (152)	245 (111)	2" Flange	1/2"
3x3x11A	280 TC	12.50 (318)	6.94 (176)	7.36 (187)	24.08 (612)	11.50 (292)	7.00 (178)	5.00 (127)	6.00 (152)	245 (111)	2" Flange	1/2"
3x3x11A	320 TC	12.50 (318)	8.61 (219)	8.61 (219)	24.08 (612)	11.50 (292)	7.00 (178)	5.50 (140)	6.00 (152)	245 (111)	2" Flange	1/2"
3x3x11A	360 TSC	12.50 (318)	10.12 (257)	10.12 (257)	29.13 (740)	11.50 (292)	7.00 (178)	6.50 (165)	6.50 (165)	290 (132)	2" Flange	1/2"
3x3x11A	400 TSC	12.50 (318)	10.93 (278)	10.93 (278)	29.13 (740)	11.50 (292)	7.00 (178)	7.50 (191)	7.50 (191)	290 (132)	2" Flange	1/2"
4x4x11	180 TC	14.00 (356)	7.26 (184)	8.45 (215)	21.83 (554)	12.50 (318)	8.00 (203)	3.00 (76)	6.00 (152)	260 (118)	4" Flange	1/2"
4x4x11	210 TC	14.00 (356)	7.26 (184)	8.45 (215)	21.83 (554)	12.50 (318)	8.00 (203)	3.50 (89)	6.00 (152)	260 (118)	4" Flange	1/2"

NOTES:

- All dimensions are in inches (mm) and may vary ± 1/4(6).
- Not for construction purposes unless certified.
- N/A = Not applicable.
- Conduit box is shown in approximate location. Dimensions are not specified as they vary with each motor manufacturer.
- Suction and discharge flanges - 125# ANSI Standard flat face.
- Optionally available - Suction and discharge flanges - 250# ANSI Standard flat face.
- Dimensions DC & DE are unit's extreme dimensions and not limited to pump casing, and may vary with each motor manufacturer.
- Casing feet tapping - (4) Tapped holes matching 125# ANSI standard flanges.
- BW Minimum - Minimum height needed to remove motor, and then disassemble pump.
- BW Recommended - Height needed to remove motor, motor bracket and impeller as one assembly.

PENTAIR AURORA® MODEL 382B SPLIT COUPLED PUMPS

11" PUMPS

Pump Size	Frame	X	DC ⁷	DE ⁷	DH	YY	VD	BW		Pump Weight Excluding Motor	Casing Feet Tapping ⁸	Drain Tap (NPSF)
								Minimum	Recommended			
4x4x11	250 TC	14.00 (356)	7.26 (184)	8.45 (215)	25.08 (637)	12.50 (318)	8.00 (203)	4.50 (114)	6.00 (152)	290 (132)	4" Flange	1/2"
4x4x11	280 TC	14.00 (356)	7.84 (199)	8.45 (215)	25.08 (637)	12.50 (318)	8.00 (203)	5.00 (127)	6.00 (152)	290 (132)	4" Flange	1/2"
4x4x11	320 TC	14.00 (356)	8.60 (218)	8.60 (218)	25.08 (637)	12.50 (318)	8.00 (203)	5.50 (140)	6.00 (152)	290 (132)	4" Flange	1/2"
4x4x11	360 TSC	14.00 (356)	10.12 (257)	10.12 (257)	30.13 (765)	12.50 (318)	8.00 (203)	6.50 (165)	6.50 (165)	340 (154)	4" Flange	1/2"
4x4x11	400 TSC	14.00 (356)	10.93 (278)	10.93 (278)	30.13 (765)	12.50 (318)	8.00 (203)	7.50 (191)	7.50 (191)	340 (154)	4" Flange	1/2"
4x4x11	440 TSC	14.00 (356)	11.79 (299)	11.79 (299)	30.13 (765)	12.50 (318)	8.00 (203)	8.75 (222)	8.75 (222)	340 (154)	4" Flange	1/2"
5x5x11A	140 TC	14.75 (375)	7.43 (189)	9.70 (246)	22.14 (562)	14.25 (362)	8.25 (210)	2.50 (64)	6.00 (152)	295 (134)	4" Flange	1/2"
5x5x11A	180 TC	14.75 (375)	7.43 (189)	9.70 (246)	22.14 (562)	14.25 (362)	8.25 (210)	3.00 (76)	6.00 (152)	300 (136)	4" Flange	1/2"
5x5x11A	210 TC	14.75 (375)	7.43 (189)	9.70 (246)	22.14 (562)	14.25 (362)	8.25 (210)	3.50 (89)	6.00 (152)	300 (136)	4" Flange	1/2"
5x5x11A	250 TC	14.75 (375)	7.43 (189)	9.70 (246)	25.39 (645)	14.25 (362)	8.25 (210)	4.50 (114)	6.00 (152)	330 (150)	4" Flange	1/2"
5x5x11A	280 TC	14.75 (375)	7.84 (199)	9.70 (246)	25.39 (645)	14.25 (362)	8.25 (210)	5.00 (127)	6.00 (152)	330 (150)	4" Flange	1/2"
5x5x11A	320 TC	14.75 (375)	8.60 (218)	9.70 (246)	25.39 (645)	14.25 (362)	8.25 (210)	5.50 (140)	6.00 (152)	330 (150)	4" Flange	1/2"
5x5x11A	360 TSC	14.75 (375)	10.12 (257)	10.12 (257)	30.44 (773)	14.25 (362)	8.25 (210)	6.50 (165)	6.50 (165)	380 (172)	4" Flange	1/2"
5x5x11A	400 TSC	14.75 (375)	10.93 (278)	10.93 (278)	30.44 (773)	14.25 (362)	8.25 (210)	7.50 (191)	7.50 (191)	380 (172)	4" Flange	1/2"
5x5x11A	440 TSC	14.75 (375)	11.79 (299)	11.79 (299)	30.44 (773)	14.25 (362)	8.25 (210)	8.75 (222)	8.75 (222)	380 (172)	4" Flange	1/2"
6x6x11	140 TC	16.00 (406)	8.04 (204)	10.98 (279)	23.70 (602)	17.00 (432)	9.75 (248)	2.50 (64)	7.00 (178)	355 (161)	6" Flange	1/2"
6x6x11	180 TC	16.00 (406)	8.04 (204)	10.98 (279)	23.70 (602)	17.00 (432)	9.75 (248)	3.00 (76)	7.00 (178)	355 (161)	6" Flange	1/2"
6x6x11	210 TC	16.00 (406)	8.04 (204)	10.98 (279)	23.70 (602)	17.00 (432)	9.75 (248)	3.50 (89)	7.00 (178)	355 (161)	6" Flange	1/2"
6x6x11	250 TC	16.00 (406)	8.04 (204)	10.98 (279)	26.95 (685)	17.00 (432)	9.75 (248)	4.50 (114)	7.00 (178)	390 (177)	6" Flange	1/2"
6x6x11	280 TC	16.00 (406)	8.04 (204)	10.98 (279)	26.95 (685)	17.00 (432)	9.75 (248)	5.00 (127)	7.00 (178)	390 (177)	6" Flange	1/2"
6x6x11	320 TC	16.00 (406)	8.60 (218)	10.98 (279)	26.95 (685)	17.00 (432)	9.75 (248)	5.50 (140)	7.00 (178)	390 (177)	6" Flange	1/2"
6x6x11	360 TC	16.00 (406)	8.60 (218)	10.98 (279)	32.00 (813)	17.00 (432)	9.75 (248)	6.50 (165)	7.00 (178)	435 (197)	6" Flange	1/2"
8x8x11A	210 TC	19.50 (495)	9.06 (230)	13.12 (333)	25.47 (647)	21.50 (546)	11.14 (283)	3.50 (89)	7.00 (178)	475 (215)	6" Flange	1/2"
8x8x11A	250 TC	19.50 (495)	9.06 (230)	13.12 (333)	28.72 (729)	21.50 (546)	11.14 (283)	4.50 (114)	7.00 (178)	510 (231)	6" Flange	1/2"
8x8x11A	280 TC	19.50 (495)	9.06 (230)	13.12 (333)	28.72 (729)	21.50 (546)	11.14 (283)	5.00 (127)	7.00 (178)	510 (231)	6" Flange	1/2"
8x8x11A	320 TC	19.50 (495)	9.06 (230)	13.12 (333)	28.72 (729)	21.50 (546)	11.14 (283)	5.50 (140)	7.00 (178)	510 (231)	6" Flange	1/2"
8x8x11A	360 TC	19.50 (495)	10.12 (257)	13.12 (333)	33.77 (858)	21.50 (546)	11.14 (283)	6.50 (165)	7.00 (178)	555 (252)	6" Flange	1/2"

NOTES:

- All dimensions are in inches (mm) and may vary ± 1/4(6).
- Not for construction purposes unless certified.
- N/A = Not applicable.
- Conduit box is shown in approximate location. Dimensions are not specified as they vary with each motor manufacturer.
- Suction and discharge flanges - 125# ANSI Standard flat face.
- Optionally available - Suction and discharge flanges - 250# ANSI Standard flat face.
- Dimensions DC & DE are unit's extreme dimensions and not limited to pump casing, and may vary with each motor manufacturer.
- Casing feet tapping - (4) Tapped holes matching 125# ANSI standard flanges.
- BW Minimum - Minimum height needed to remove motor, and then disassemble pump.
- BW Recommended - Height needed to remove motor, motor bracket and impeller as one assembly.

PENTAIR AURORA® MODEL 382B SPLIT COUPLED PUMPS

TC MOTOR FRAMES

FRAMES		143 TC	145 TC	184 TC	186 TC	213 TC
AG	ODP	12.00 (304)	12.00 (304)	14.00 (356)	14.00 (356)	17.00 (432)
	TEFC	13.00 (330)	13.00 (330)	13.00 (330)	13.00 (330)	21.00 (533)
FRAMES		215 TC	254 TC	256 TC	284 TC	286 TC
AG	ODP	18.00 (457)	22.00 (559)	22.00 (559)	23.00 (584)	23.00 (584)
	TEFC	21.00 (533)	25.00 (635)	25.00 (635)	27.00 (686)	27.00 (686)
FRAMES		324 TC	326 TC	364 TC	365 TC	404 TC
AG	ODP	23.00 (584)	23.00 (584)	25.00 (635)	25.00 (635)	28.00 (711)
	TEFC	28.00 (711)	29.00 (737)	35.00 (889)	35.00 (889)	36.00 (914)
FRAMES		405 TC	444 TC	445 TC	447 TC	449 TC
AG	ODP	28.00 (711)	33.00 (838)	35.00 (889)	38.00 (965)	40.00 (1016)
	TEFC	36.00 (914)	38.00 (965)	38.00 (965)	41.00 (1041)	49.00 (1245)

13.5" PUMPS

Pump Size	Frame	X	DC ⁷	DE ⁷	DH	YY	VD	BW		Pump Weight Excluding Motor	Casing Feet Tapping ⁸	Drain Tap (NPSF)
								Minimum	Recommended			
3x3x13.5	140 TC	14.25 (362)	8.52 (216)	9.26 (235)	23.13 (588)	14.25 (362)	8.25 (210)	2.50 (64)	7.50 (191)	320 (145)	4" Flange	1/2"
3x3x13.5	180 TC	14.25 (362)	8.52 (216)	9.26 (235)	23.13 (588)	14.25 (362)	8.25 (210)	3.00 (76)	7.50 (191)	320 (145)	4" Flange	1/2"
3x3x13.5	210 TC	14.25 (362)	8.52 (216)	9.26 (235)	23.13 (588)	14.25 (362)	8.25 (210)	3.50 (89)	7.50 (191)	320 (145)	4" Flange	1/2"
3x3x13.5	250 TC	14.25 (362)	8.52 (216)	9.26 (235)	25.56 (649)	14.25 (362)	8.25 (210)	4.50 (114)	7.50 (191)	350 (159)	4" Flange	1/2"
3x3x13.5	280 TC	14.25 (362)	8.52 (216)	9.26 (235)	25.56 (649)	14.25 (362)	8.25 (210)	5.00 (127)	7.50 (191)	350 (159)	4" Flange	1/2"
3x3x13.5	320 TC	14.25 (362)	8.52 (216)	9.26 (235)	25.56 (649)	14.25 (362)	8.25 (210)	5.50 (140)	7.50 (191)	350 (159)	4" Flange	1/2"
4x4x13.5	180 TC	14.50 (368)	8.72 (221)	9.66 (245)	23.88 (607)	14.50 (368)	9.06 (230)	3.00 (76)	6.50 (165)	325 (147)	4" Flange	1/2"
4x4x13.5	210 TC	14.50 (368)	8.72 (221)	9.66 (245)	23.88 (607)	14.50 (368)	9.06 (230)	3.50 (89)	6.50 (165)	325 (147)	4" Flange	1/2"
4x4x13.5	250 TC	14.50 (368)	8.72 (221)	9.66 (245)	26.31 (668)	14.50 (368)	9.06 (230)	4.50 (114)	6.50 (165)	360 (163)	4" Flange	1/2"
4x4x13.5	280 TC	14.50 (368)	8.72 (221)	9.66 (245)	26.31 (668)	14.50 (368)	9.06 (230)	5.00 (127)	6.50 (165)	360 (163)	4" Flange	1/2"
4x4x13.5	320 TC	14.50 (368)	8.72 (221)	9.66 (245)	26.31 (668)	14.50 (368)	9.06 (230)	5.50 (140)	6.50 (165)	360 (163)	4" Flange	1/2"
5x5x13.5	250 TC	16.50 (419)	8.91 (226)	10.02 (255)	26.23 (666)	16.50 (419)	9.35 (237)	4.50 (114)	6.88 (175)	415 (188)	4" Flange	1/2"
5x5x13.5	280 TC	16.50 (419)	8.91 (226)	10.02 (255)	26.23 (666)	16.50 (419)	9.35 (237)	5.00 (127)	6.88 (175)	415 (188)	4" Flange	1/2"
5x5x13.5	320 TC	16.50 (419)	8.91 (226)	10.02 (255)	26.23 (666)	16.50 (419)	9.35 (237)	5.50 (140)	6.88 (175)	415 (188)	4" Flange	1/2"
6x6x13.5	250 TC	19.25 (489)	9.53 (242)	12.63 (321)	27.75 (705)	19.75 (502)	10.38 (264)	4.50 (114)	7.50 (191)	540 (245)	6" Flange	1/2"
6x6x13.5	280 TC	19.25 (489)	9.53 (242)	12.63 (321)	27.75 (705)	19.75 (502)	10.38 (264)	5.00 (127)	7.50 (191)	540 (245)	6" Flange	1/2"

NOTES:

- All dimensions are in inches (mm) and may vary ± 1/4(6).
- Not for construction purposes unless certified.
- N/A = Not applicable.
- Conduit box is shown in approximate location. Dimensions are not specified as they vary with each motor manufacturer.
- Suction and discharge flanges - 125# ANSI Standard flat face.
- Optionally available - Suction and discharge flanges - 250# ANSI Standard flat face.
- Dimensions DC & DE are unit's extreme dimensions and not limited to pump casing, and may vary with each motor manufacturer.
- Casing feet tapping - (4) Tapped holes matching 125# ANSI standard flanges.
- BW Minimum - Minimum height needed to remove motor, and then disassemble pump.
- BW Recommended - Height needed to remove motor, motor bracket and impeller as one assembly.

PENTAIR AURORA® MODEL 382B SPLIT COUPLED PUMPS

13.5" PUMPS

Pump Size	Frame	X	DC ⁷	DE ⁷	DH	YY	VD	BW		Pump Weight Excluding Motor	Casing Feet Tapping ⁸	Drain Tap (NPSF)
								Minimum	Recommended			
6x6x13.5	320 TC	19.25 (489)	9.53 (242)	12.63 (321)	27.75 (705)	19.75 (502)	10.38 (264)	5.50 (140)	7.50 (191)	540 (245)	6" Flange	1/2"
6x6x13.5	360 TC	19.25 (489)	9.53 (242)	12.63 (321)	32.82 (834)	19.75 (502)	10.38 (264)	6.50 (165)	7.50 (191)	585 (265)	6" Flange	1/2"
8x8x13.5A	250 TC	21.50 (546)	9.93 (252)	13.74 (349)	28.79 (731)	20.50 (521)	11.46 (291)	4.50 (114)	8.00 (203)	635 (288)	6" Flange	1/2"
8x8x13.5A	280 TC	21.50 (546)	9.93 (252)	13.74 (349)	28.79 (731)	20.50 (521)	11.46 (291)	5.00 (127)	8.00 (203)	635 (288)	6" Flange	1/2"
8x8x13.5A	320 TC	21.50 (546)	9.93 (252)	13.74 (349)	28.79 (731)	20.50 (521)	11.46 (291)	5.50 (140)	8.00 (203)	635 (288)	6" Flange	1/2"
8x8x13.5A	360 TC	21.50 (546)	9.93 (252)	13.74 (349)	33.82 (859)	20.50 (521)	11.46 (291)	6.50 (165)	8.00 (203)	690 (313)	6" Flange	1/2"
8x8x13.5A	400 TC	21.50 (546)	9.93 (252)	13.74 (349)	33.82 (859)	20.50 (521)	11.46 (291)	7.50 (191)	8.00 (203)	690 (313)	6" Flange	1/2"
8x8x13.5A	440 TC	21.50 (546)	9.93 (252)	13.74 (349)	33.82 (859)	20.50 (521)	11.46 (291)	8.75 (222)	9.00 (229)	690 (313)	6" Flange	1/2"
10x10x13.5A	250 TC	23.00 (584)	10.52 (267)	15.67 (398)	29.54 (750)	24.50 (622)	12.38 (314)	4.50 (114)	8.00 (203)	770 (349)	6" Flange	1/2"
10x10x13.5A	280 TC	23.00 (584)	10.52 (267)	15.67 (398)	29.54 (750)	24.50 (622)	12.38 (314)	5.00 (127)	8.00 (203)	770 (349)	6" Flange	1/2"
10x10x13.5A	320 TC	23.00 (584)	10.52 (267)	15.67 (398)	29.54 (750)	24.50 (622)	12.38 (314)	5.50 (140)	8.00 (203)	770 (349)	6" Flange	1/2"
10x10x13.5A	360 TC	23.00 (584)	10.52 (267)	15.67 (398)	34.57 (878)	24.50 (622)	12.38 (314)	6.50 (165)	8.00 (203)	830 (376)	6" Flange	1/2"
10x10x13.5A	400 TC	23.00 (584)	10.52 (267)	15.67 (398)	34.57 (878)	24.50 (622)	12.38 (314)	8.00 (203)	8.00 (203)	830 (376)	6" Flange	1/2"
10x10x13.5A	440 TC	23.00 (584)	10.52 (267)	15.67 (398)	34.57 (878)	24.50 (622)	12.38 (314)	9.00 (229)	9.00 (229)	830 (376)	6" Flange	1/2"

NOTES:

- All dimensions are in inches (mm) and may vary ± 1/4(6).
- Not for construction purposes unless certified.
- N/A = Not applicable.
- Conduit box is shown in approximate location. Dimensions are not specified as they vary with each motor manufacturer.
- Suction and discharge flanges - 125# ANSI Standard flat face.
- Optionally available - Suction and discharge flanges - 250# ANSI Standard flat face.
- Dimensions DC & DE are unit's extreme dimensions and not limited to pump casing, and may vary with each motor manufacturer.
- Casing feet tapping - (4) Tapped holes matching 125# ANSI standard flanges.
- BW Minimum - Minimum height needed to remove motor, and then disassemble pump.
- BW Recommended - Height needed to remove motor, motor bracket and impeller as one assembly.

PENTAIR AURORA® MODEL 382B SPLIT COUPLED PUMPS

TC MOTOR FRAMES

FRAMES		286 TC	324 TC	326 TC	364 TC	365 TC	404 TC
AG	ODP	23.00 (584)	23.00 (584)	23.00 (584)	25.00 (635)	25.00 (635)	28.00 (711)
	TEFC	27.00 (686)	28.00 (711)	29.00 (737)	35.00 (889)	35.00 (889)	36.00 (914)
FRAMES		405 TC	444 TC	445 TC	447 TC	449 TC	5010 SD
AG	ODP	28.00 (711)	33.00 (838)	35.00 (889)	38.00 (965)	40.00 (1016)	51.00 (1295)
	TEFC	36.00 (914)	38.00 (965)	38.00 (965)	41.00 (1041)	49.00 (1245)	64.00 (1626)

10x10x14 THROUGH 14x14x18

Pump Size	Frame	X	DC ⁷	DE ⁷	DH	YY	VD	BW		Pump Weight Excluding Motor	Casing Feet Tapping ⁸	Drain Tap (NPSF)
								Minimum	Recommended			
10x10x14	320 TC	25.00 (635)	10.61 (269)	14.80 (376)	32.24 (819)	25.00 (635)	10.61 (269)	6.00 (152)	15.00 (381)	1104	8" Flange	1/2 "
10x10x14	360 TC	25.00 (635)	10.61 (269)	14.80 (376)	32.86 (835)	25.00 (635)	10.61 (269)	6.50 (165)	15.00 (381)	1106	8" Flange	1/2 "
10x10x14	400 TC	25.00 (635)	10.61 (269)	14.80 (376)	34.24 (870)	25.00 (635)	10.61 (269)	8.00 (203)	15.00 (381)	1111	8" Flange	1/2 "
10x10x14	440 TC	25.00 (635)	10.61 (269)	14.80 (376)	35.49 (902)	25.00 (635)	10.61 (269)	9.00 (229)	15.00 (381)	1124	8" Flange	1/2 "
10x10x19	360 TC	26.00 (660)	13.22 (336)	17.97 (456)	31.65 (804)	26.00 (660)	14.00 (356)	6.50 (165)	9.00 (229)	1088	8" Flange	1/2 "
10x10x19	400 TC	26.00 (660)	13.22 (336)	17.97 (456)	33.03 (839)	26.00 (660)	14.00 (356)	8.00 (203)	9.00 (229)	1093	8" Flange	1/2 "
10x10x19	440 TC	26.00 (660)	13.22 (336)	17.97 (456)	34.28 (871)	26.00 (660)	14.00 (356)	9.00 (229)	9.00 (229)	1096	8" Flange	1/2 "
10x10x19	5010 SD	26.00 (660)	13.22 (336)	17.97 (456)	31.53 (801)	26.00 (660)	14.00 (356)	6.00 (152)	9.00 (229)	1157	8" Flange	1/2 "
12x12x14	280 TC	25.75 (654)	11.33 (288)	17.09 (434)	38.45 (977)	25.75 (654)	14.00 (356)	5.00 (127)	20.00 (508)	1369	10" Flange	1/2 "
12x12x14	320 TC	25.75 (654)	11.33 (288)	17.09 (434)	39.08 (993)	25.75 (654)	14.00 (356)	6.00 (152)	20.00 (508)	1375	10" Flange	1/2 "
12x12x14	360 TC	25.75 (654)	11.33 (288)	17.09 (434)	39.70 (1008)	25.75 (654)	14.00 (356)	6.50 (165)	20.00 (508)	1377	10" Flange	1/2 "
12x12x14	400 TC	25.75 (654)	11.33 (288)	17.09 (434)	41.08 (1043)	25.75 (654)	14.00 (356)	8.00 (203)	20.00 (508)	1382	10" Flange	1/2 "
12x12x14	440 TC	25.75 (654)	11.33 (288)	17.09 (434)	42.33 (1075)	25.75 (654)	14.00 (356)	9.00 (229)	20.00 (508)	1395	10" Flange	1/2 "
12x12x18	360 TC	28.00 (711)	12.84 (326)	18.57 (472)	45.12 (1146)	28.00 (711)	15.94 (405)	6.50 (165)	22.00 (559)	1809	10" Flange	1/2 "
12x12x18	400 TC	28.00 (711)	12.84 (326)	18.57 (472)	46.50 (1181)	28.00 (711)	15.94 (405)	8.00 (203)	22.00 (559)	1814	10" Flange	1/2 "
12x12x18	440 TC	28.00 (711)	12.84 (326)	18.57 (472)	47.75 (1213)	28.00 (711)	15.94 (405)	9.00 (229)	22.00 (559)	1827	10" Flange	1/2 "
12x12x18	5010 SD	28.00 (711)	12.84 (326)	18.57 (472)	45.03 (1144)	28.00 (711)	15.94 (405)	6.00 (152)	22.00 (559)	1878	10" Flange	1/2 "

NOTES:

- All dimensions are in inches (mm) and may vary ± 1/4(6).
- Not for construction purposes unless certified.
- N/A = Not applicable.
- Conduit box is shown in approximate location. Dimensions are not specified as they vary with each motor manufacturer.
- Suction and discharge flanges - 125# ANSI Standard flat face.
- Optionally available - Suction and discharge flanges - 250# ANSI Standard flat face.
- Dimensions DC & DE are unit's extreme dimensions and not limited to pump casing, and may vary with each motor manufacturer.
- Casing feet tapping - (4) Tapped holes matching 125# ANSI standard flanges.
- BW Minimum - Minimum height needed to remove motor, and then disassemble pump.
- BW Recommended - Height needed to remove motor, motor bracket and impeller as one assembly.

PENTAIR AURORA® MODEL 382B SPLIT COUPLED PUMPS

10x10x14 THROUGH 14x14x18

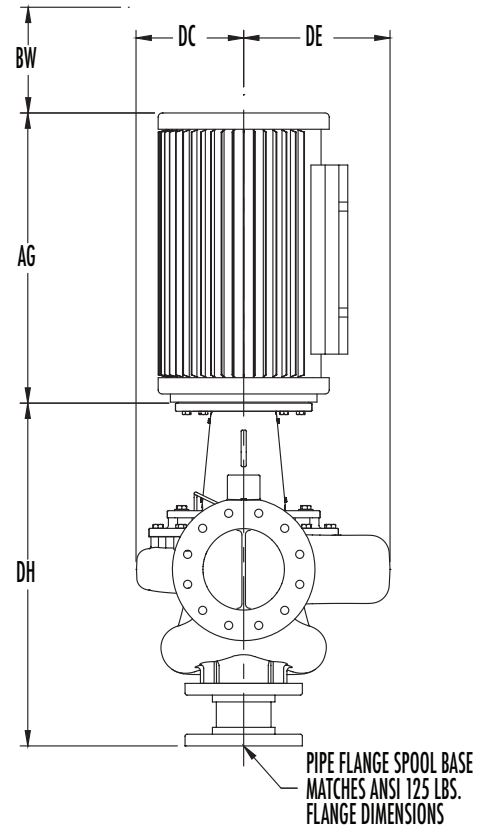
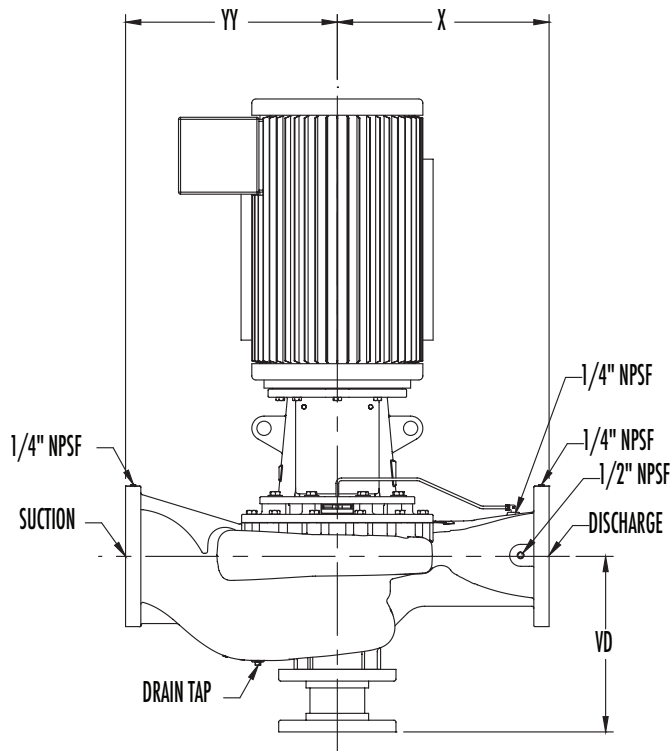
Pump Size	Frame	X	DC ⁷	DE ⁷	DH	YY	VD	BW		Pump Weight Excluding Motor	Casing Feet Tapping ⁸	Drain Tap (NPSF)
								Minimum	Recommended			
14x14x15	320 TC	27.50 (699)	12.93 (328)	19.67 (500)	41.75 (1060)	27.50 (699)	14.94 (379)	6.00 (152)	22.00 (559)	1636	10" Flange	3/4"
14x14x15	360 TC	27.50 (699)	12.93 (328)	19.67 (500)	42.37 (1076)	27.50 (699)	14.94 (379)	6.50 (165)	22.00 (559)	1641	10" Flange	3/4"
14x14x15	400 TC	27.50 (699)	12.93 (328)	19.67 (500)	43.75 (1111)	27.50 (699)	14.94 (379)	8.00 (203)	22.00 (559)	1700	10" Flange	3/4"
14x14x15	440 TC	27.50 (699)	12.93 (328)	19.67 (500)	45.00 (1143)	27.50 (699)	14.94 (379)	9.00 (229)	22.00 (559)	1713	10" Flange	3/4"
14x14x15	5010 SD	27.50 (699)	12.93 (328)	19.67 (500)	42.25 (1073)	27.50 (699)	14.94 (379)	6.00 (152)	22.00 (559)	1748	10" Flange	3/4"
14x14x18	400 TC	31.00 (787)	13.14 (334)	18.34 (466)	43.00 (1092)	31.00 (787)	14.19 (360)	8.00 (203)	20.00 (508)	1941	10" Flange	3/4"
14x14x18	440 TC	31.00 (787)	13.14 (334)	18.34 (466)	44.25 (1124)	31.00 (787)	14.19 (360)	9.00 (229)	20.00 (508)	1952	10" Flange	3/4"
14x14x18	5010 SD	31.00 (787)	13.14 (334)	18.34 (466)	41.50 (1054)	31.00 (787)	14.19 (360)	6.00 (152)	20.00 (508)	1990	10" Flange	3/4"

NOTES:

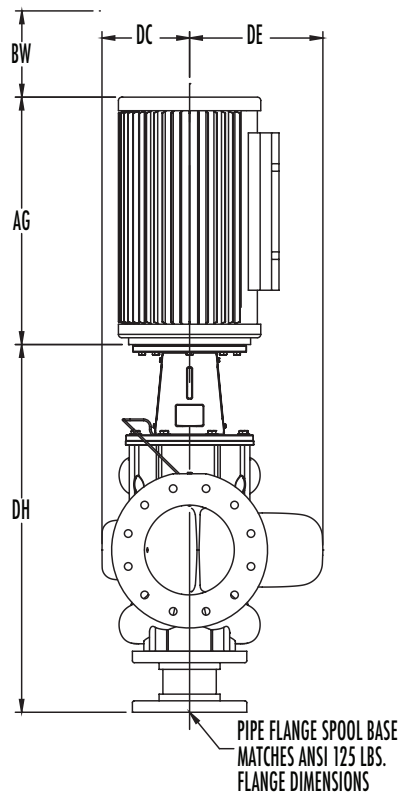
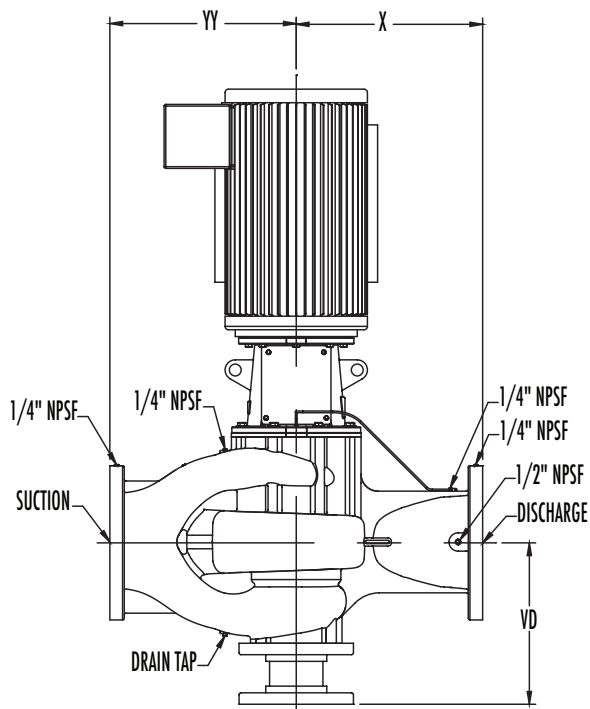
1. All dimensions are in inches(mm) and may vary ± 1/4(6).
2. Not for construction purposes unless certified.
3. N/A = Not applicable.
4. Conduit box is shown in approximate location. Dimensions are not specified as they vary with each motor manufacturer.
5. Suction and discharge flanges - 125# ANSI Standard flat face.
6. Optionally available - Suction and discharge flanges - 250# ANSI Standard flat face.
7. Dimensions DC & DE are unit's extreme dimensions and not limited to pump casing, and may vary with each motor manufacturer.
8. Casing feet tapping - (4) Tapped holes matching 125# ANSI standard flanges.
9. BW Minimum - Minimum height needed to remove motor, and then disassemble pump.
10. BW Recommended - Height needed to remove motor, motor bracket and impeller as one assembly.

PENTAIR AURORA® MODEL 382B SPLIT COUPLED PUMPS WITH OPTIONAL SPOOL BASE

SINGLE SUCTION PUMPS



DOUBLE SUCTION PUMPS



PENTAIR AURORA® MODEL 382B SPLIT COUPLED PUMPS WITH OPTIONAL SPOOL BASE

TC/TSC MOTOR FRAMES

FRAMES		143 TC	145 TC	184 TC	186 TC	213 TC
AG	ODP	12.00 (304)	12.00 (304)	14.00 (356)	14.00 (356)	17.00 (432)
	TEFC	13.00 (330)	13.00 (330)	13.00 (330)	13.00 (330)	21.00 (533)
FRAMES		215 TC	254 TC	256 TC	284 TC	286 TC
AG	ODP	18.00 (457)	22.00 (559)	22.00 (559)	23.00 (584)	23.00 (584)
	TEFC	21.00 (533)	25.00 (635)	25.00 (635)	27.00 (686)	27.00 (686)
FRAMES		324 TC	326 TC	364 TC	365 TC	404 TC
AG	ODP	23.00 (584)	23.00 (584)	25.00 (635)	25.00 (635)	28.00 (711)
	TEFC	28.00 (711)	29.00 (737)	35.00 (889)	35.00 (889)	36.00 (914)
FRAMES		405 TC	444 TC	445 TC	447 TC	449 TC
AG	ODP	28.00 (711)	33.00 (838)	35.00 (889)	38.00 (965)	40.00 (1016)
	TEFC	36.00 (914)	38.00 (965)	38.00 (965)	41.00 (1041)	49.00 (1245)

7" PUMPS

Pump Size	Frame	X	DC ⁷	DE ⁷	DH	YY	VD	BW		Pump Weight Excluding Motor	Casing Feet Tapping ⁸	Drain Tap (NPSF)
								Minimum	Recommended			
1.5x1.5x7	140 TC	7.50 (191)	4.56 (116)	4.90 (124)	22.33 (567)	7.50 (191)	8.69 (221)	2.50 (64)	3.75 (95)	132 (60)	1.5" Flange	1/2"
1.5x1.5x7	180 TC	7.50 (191)	5.00 (127)	5.00 (127)	22.33 (567)	7.50 (191)	8.69 (221)	3.00 (76)	3.75 (95)	132 (60)	1.5" Flange	1/2"
1.5x1.5x7	210 TC	7.50 (191)	5.50 (140)	5.50 (140)	22.33 (567)	7.50 (191)	8.69 (221)	3.50 (89)	3.75 (95)	132 (60)	1.5" Flange	1/2"
2x2x7A	140 TC	8.50 (216)	4.56 (116)	5.12 (130)	23.50 (597)	8.50 (216)	9.31 (237)	2.50 (64)	4.38 (111)	146 (66)	2" Flange	1/2"
2x2x7A	180 TC	8.50 (216)	5.00 (127)	5.12 (130)	23.50 (597)	8.50 (216)	9.31 (237)	3.00 (76)	4.38 (111)	146 (66)	2" Flange	1/2"
2x2x7A	210 TC	8.50 (216)	5.50 (140)	5.50 (140)	23.50 (597)	8.50 (216)	9.31 (237)	3.50 (89)	4.38 (111)	146 (66)	2" Flange	1/2"
2x2x7A	250 TC	8.50 (216)	6.94 (176)	6.94 (176)	26.51 (673)	8.50 (216)	9.31 (237)	4.50 (114)	4.50 (114)	186 (84)	2" Flange	1/2"
2.5x2.5x7A	140 TC	9.00 (229)	4.67 (119)	5.39 (137)	24.17 (614)	9.00 (229)	9.88 (251)	2.50 (64)	5.00 (127)	161 (73)	2" Flange	1/2"
2.5x2.5x7A	180 TC	9.00 (229)	5.00 (127)	5.12 (130)	24.17 (614)	9.00 (229)	9.88 (251)	3.00 (76)	5.00 (127)	161 (73)	2" Flange	1/2"
2.5x2.5x7A	210 TC	9.00 (229)	5.50 (140)	5.50 (140)	24.17 (614)	9.00 (229)	9.88 (251)	3.50 (89)	5.00 (127)	161 (73)	2" Flange	1/2"
2.5x2.5x7A	250 TC	9.00 (229)	6.94 (176)	6.94 (176)	27.18 (690)	9.00 (229)	9.88 (251)	4.50 (114)	5.00 (127)	201 (91)	2" Flange	1/2"
3x3x7	140 TC	9.50 (241)	4.99 (127)	5.77 (147)	25.08 (637)	9.50 (241)	10.86 (276)	2.50 (64)	4.75 (121)	183 (83)	2.5" Flange	1/2"
3x3x7	180 TC	9.50 (241)	4.99 (127)	5.77 (147)	25.08 (637)	9.50 (241)	10.86 (276)	3.00 (76)	4.75 (121)	183 (83)	2.5" Flange	1/2"
3x3x7	210 TC	9.50 (241)	5.50 (140)	5.77 (147)	25.08 (637)	9.50 (241)	10.86 (276)	3.50 (89)	4.75 (121)	183 (83)	2.5" Flange	1/2"
3x3x7	250 TC	9.50 (241)	6.66 (169)	6.66 (169)	28.09 (713)	9.50 (241)	10.86 (276)	4.50 (114)	4.75 (121)	223 (101)	2.5" Flange	1/2"

NOTES:

- All dimensions are in inches (mm) and may vary ± 1/4(6).
- Not for construction purposes unless certified.
- N/A = Not applicable.
- Conduit box is shown in approximate location. Dimensions are not specified as they vary with each motor manufacturer.
- Suction and discharge flanges - 125# ANSI Standard flat face.
- Optionally available - Suction and discharge flanges - 250# ANSI Standard flat face.
- Dimensions DC & DE are unit's extreme dimensions and not limited to pump casing, and may vary with each motor manufacturer.
- Casing feet tapping - (4) Tapped holes matching 125# ANSI standard flanges.
- BW Minimum - Minimum height needed to remove motor, and then disassemble pump.
- BW Recommended - Height needed to remove motor, motor bracket and impeller as one assembly.

PENTAIR AURORA® MODEL 382B SPLIT COUPLED PUMPS WITH OPTIONAL SPOOL BASE

7" PUMPS

Pump Size	Frame	X	DC ⁷	DE ⁷	DH	YY	VD	BW		Pump Weight Excluding Motor	Casing Feet Tapping ⁸	Drain Tap (NPSF)
								Minimum	Recommended			
3x3x7	280 TSC	9.50 (241)	7.84 (199)	7.84 (199)	28.09 (713)	9.50 (241)	10.86 (276)	5.00 (127)	5.00 (127)	223 (101)	2.5" Flange	1/2"
4x4x7A	140 TC	10.50 (267)	5.06 (129)	6.16 (156)	25.64 (651)	10.50 (267)	11.56 (294)	2.50 (64)	4.69 (119)	209 (95)	3" Flange	1/2"
4x4x7A	180 TC	10.50 (267)	5.06 (129)	6.16 (156)	25.64 (651)	10.50 (267)	11.56 (294)	3.00 (76)	4.69 (119)	214 (97)	3" Flange	1/2"
4x4x7A	210 TC	10.50 (267)	5.50 (140)	6.16 (156)	25.64 (651)	10.50 (267)	11.56 (294)	3.50 (89)	4.69 (119)	214 (97)	3" Flange	1/2"
4x4x7A	250 TC	10.50 (267)	6.94 (176)	6.94 (176)	28.65 (728)	10.50 (267)	11.56 (294)	4.50 (114)	4.69 (119)	249 (113)	3" Flange	1/2"
4x4x7A	280 TSC	10.50 (267)	7.84 (199)	7.84 (199)	28.65 (728)	10.50 (267)	11.56 (294)	4.75 (121)	4.75 (121)	249 (113)	3" Flange	1/2"
4x4x7A	320 TSC	10.50 (267)	8.59 (218)	8.59 (218)	28.65 (728)	10.50 (267)	11.56 (294)	5.50 (140)	5.50 (140)	254 (115)	3" Flange	1/2"
5x5x7A	140 TC	12.00 (305)	5.83 (148)	8.31 (211)	26.69 (678)	13.50 (343)	12.38 (314)	2.50 (64)	4.88 (124)	273 (124)	4" Flange	1/2"
5x5x7A	180 TC	12.00 (305)	5.83 (148)	8.31 (211)	26.69 (678)	13.50 (343)	12.38 (314)	3.00 (76)	4.88 (124)	273 (124)	4" Flange	1/2"
5x5x7A	210 TC	12.00 (305)	5.83 (148)	8.31 (211)	26.69 (678)	13.50 (343)	12.38 (314)	3.50 (89)	4.88 (124)	273 (124)	4" Flange	1/2"
5x5x7A	250 TC	12.00 (305)	6.66 (169)	8.31 (211)	29.70 (754)	13.50 (343)	12.38 (314)	4.50 (114)	4.88 (124)	313 (142)	4" Flange	1/2"
5x5x7A	280 TSC	12.00 (305)	7.84 (199)	8.31 (211)	29.70 (754)	13.50 (343)	12.38 (314)	5.00 (127)	5.00 (127)	308 (140)	4" Flange	1/2"
5x5x7A	320 TSC	12.00 (305)	8.59 (218)	8.59 (218)	29.70 (754)	13.50 (343)	12.38 (314)	5.50 (140)	5.50 (140)	313 (142)	4" Flange	1/2"
5x5x7A	360 TSC	12.00 (305)	10.12 (257)	10.12 (257)	32.02 (813)	13.50 (343)	12.38 (314)	6.50 (165)	6.50 (165)	323 (147)	4" Flange	1/2"
6x6x7A	140 TC	14.00 (356)	6.70 (170)	9.91 (252)	28.37 (721)	14.00 (356)	13.81 (351)	2.50 (64)	5.88 (149)	339 (154)	3" Flange	1/2"
6x6x7A	180 TC	14.00 (356)	6.70 (170)	9.91 (252)	28.37 (721)	14.00 (356)	13.81 (351)	3.00 (76)	5.88 (149)	339 (154)	3" Flange	1/2"
6x6x7A	210 TC	14.00 (356)	6.70 (170)	9.91 (252)	28.37 (721)	14.00 (356)	13.81 (351)	3.50 (89)	5.88 (149)	339 (154)	3" Flange	1/2"
6x6x7A	250 TC	14.00 (356)	6.70 (170)	9.91 (252)	31.38 (797)	14.00 (356)	13.81 (351)	4.50 (114)	5.88 (149)	379 (172)	3" Flange	1/2"
6x6x7A	280 TSC	14.00 (356)	7.84 (199)	9.91 (252)	31.38 (797)	14.00 (356)	13.81 (351)	5.00 (127)	5.88 (149)	374 (170)	3" Flange	1/2"
6x6x7A	320 TSC	14.00 (356)	8.59 (218)	9.91 (252)	31.38 (797)	14.00 (356)	13.81 (351)	5.50 (140)	5.88 (149)	379 (172)	3" Flange	1/2"
6x6x7A	360 TSC	14.00 (356)	10.12 (257)	10.12 (257)	33.70 (856)	14.00 (356)	13.81 (351)	6.50 (165)	6.50 (165)	389 (177)	3" Flange	1/2"

NOTES:

- All dimensions are in inches (mm) and may vary ± 1/4(6).
- Not for construction purposes unless certified.
- N/A = Not applicable.
- Conduit box is shown in approximate location. Dimensions are not specified as they vary with each motor manufacturer.
- Suction and discharge flanges - 125# ANSI Standard flat face.
- Optionally available - Suction and discharge flanges - 250# ANSI Standard flat face.
- Dimensions DC & DE are unit's extreme dimensions and not limited to pump casing, and may vary with each motor manufacturer.
- Casing feet tapping - (4) Tapped holes matching 125# ANSI standard flanges.
- BW Minimum - Minimum height needed to remove motor, and then disassemble pump.
- BW Recommended - Height needed to remove motor, motor bracket and impeller as one assembly.

PENTAIR AURORA® MODEL 382B SPLIT COUPLED PUMPS WITH OPTIONAL SPOOL BASE

TC/TSC MOTOR FRAMES

FRAMES		143 TC	145 TC	184 TC	186 TC	213 TC
AG	ODP	12.00 (304)	12.00 (304)	14.00 (356)	14.00 (356)	17.00 (432)
	TEFC	13.00 (330)	13.00 (330)	13.00 (330)	13.00 (330)	21.00 (533)
FRAMES		215 TC	254 TC	256 TC	284 TC	286 TC
AG	ODP	18.00 (457)	22.00 (559)	22.00 (559)	23.00 (584)	23.00 (584)
	TEFC	21.00 (533)	25.00 (635)	25.00 (635)	27.00 (686)	27.00 (686)
FRAMES		324 TC	326 TC	364 TC	365 TC	404 TC
AG	ODP	23.00 (584)	23.00 (584)	25.00 (635)	25.00 (635)	28.00 (711)
	TEFC	28.00 (711)	29.00 (737)	35.00 (889)	35.00 (889)	36.00 (914)
FRAMES		405 TC	444 TC	445 TC	447 TC	449 TC
AG	ODP	28.00 (711)	33.00 (838)	35.00 (889)	38.00 (965)	40.00 (1016)
	TEFC	36.00 (914)	38.00 (965)	38.00 (965)	41.00 (1041)	49.00 (1245)

9.5" PUMPS

Pump Size	Frame	X	DC ⁷	DE ⁷	DH	YY	VD	BW		Pump Weight Excluding Motor	Casing Feet Tapping ⁸	Drain Tap (NPSF)
								Minimum	Recommended			
1.5x1.5x9.5	140 TC	9.50 (241)	6.00 (152)	6.03 (153)	23.32 (592)	9.50 (241)	9.51 (242)	2.50 (64)	4.00 (102)	167 (76)	1.5" Flange	1/2"
1.5x1.5x9.5	180 TC	9.50 (241)	6.00 (152)	6.03 (153)	23.32 (592)	9.50 (241)	9.51 (242)	3.00 (76)	4.00 (102)	167 (76)	1.5" Flange	1/2"
1.5x1.5x9.5	210 TC	9.50 (241)	6.00 (152)	6.03 (153)	23.32 (592)	9.50 (241)	9.51 (242)	3.50 (89)	4.00 (102)	167 (76)	1.5" Flange	1/2"
1.5x1.5x9.5	250 TC	9.50 (241)	6.66 (169)	6.66 (169)	26.39 (670)	9.50 (241)	9.51 (242)	4.50 (114)	4.50 (114)	192 (87)	1.5" Flange	1/2"
1.5x1.5x9.5	280 TSC	9.50 (241)	7.84 (199)	7.84 (199)	26.39 (670)	9.50 (241)	9.51 (242)	5.00 (127)	5.00 (127)	192 (87)	1.5" Flange	1/2"
2.5x2.5x9.5	180 TC	10.75 (273)	6.00 (152)	6.66 (169)	24.97 (634)	10.75 (273)	10.81 (275)	3.00 (76)	5.00 (127)	214 (97)	3" Flange	1/2"
2.5x2.5x9.5	210 TC	10.75 (273)	6.00 (152)	6.66 (169)	24.97 (634)	10.75 (273)	10.81 (275)	3.50 (89)	5.00 (127)	214 (97)	3" Flange	1/2"
2.5x2.5x9.5	250 TC	10.75 (273)	6.66 (169)	6.66 (169)	28.04 (712)	10.75 (273)	10.81 (275)	4.50 (114)	5.00 (127)	239 (109)	3" Flange	1/2"
2.5x2.5x9.5	280 TSC	10.75 (273)	7.84 (199)	7.84 (199)	28.04 (712)	10.75 (273)	10.81 (275)	5.00 (127)	5.00 (127)	239 (109)	3" Flange	1/2"
2.5x2.5x9.5	320 TSC	10.75 (273)	8.60 (218)	8.60 (218)	28.04 (712)	10.75 (273)	10.81 (275)	5.50 (140)	5.50 (127)	239 (109)	3" Flange	1/2"
2.5x2.5x9.5	360 TSC	10.75 (273)	10.12 (257)	10.12 (257)	33.25 (845)	10.75 (273)	10.81 (275)	6.50 (165)	6.50 (165)	299 (136)	3" Flange	1/2"
3x3x9.5	140 TC	11.50 (292)	6.11 (155)	6.81 (173)	25.19 (640)	11.50 (292)	10.88 (276)	2.50 (64)	5.50 (140)	214 (97)	3" Flange	1/2"
3x3x9.5	180 TC	11.50 (292)	6.11 (155)	6.81 (173)	25.19 (640)	11.50 (292)	10.88 (276)	3.00 (76)	5.50 (140)	214 (97)	3" Flange	1/2"
3x3x9.5	210 TC	11.50 (292)	6.11 (155)	6.81 (173)	25.19 (640)	11.50 (292)	10.88 (276)	3.50 (89)	5.50 (140)	214 (97)	3" Flange	1/2"
3x3x9.5	250 TC	11.50 (292)	6.66 (169)	6.81 (173)	28.26 (718)	11.50 (292)	10.88 (276)	4.50 (114)	5.50 (140)	244 (111)	3" Flange	1/2"
3x3x9.5	280 TSC	11.50 (292)	7.84 (199)	7.84 (199)	28.26 (718)	11.50 (292)	10.88 (276)	5.00 (127)	5.50 (140)	239 (109)	3" Flange	1/2"
3x3x9.5	320 TSC	11.50 (292)	8.60 (218)	8.60 (218)	28.26 (718)	11.50 (292)	10.88 (276)	5.50 (140)	5.50 (140)	244 (111)	3" Flange	1/2"

NOTES:

- All dimensions are in inches (mm) and may vary ± 1/4(6).
- Not for construction purposes unless certified.
- N/A = Not applicable.
- Conduit box is shown in approximate location. Dimensions are not specified as they vary with each motor manufacturer.
- Suction and discharge flanges - 125# ANSI Standard flat face.
- Optionally available - Suction and discharge flanges - 250# ANSI Standard flat face.
- Dimensions DC & DE are unit's extreme dimensions and not limited to pump casing, and may vary with each motor manufacturer.
- Casing feet tapping - (4) Tapped holes matching 125# ANSI standard flanges.
- BW Minimum - Minimum height needed to remove motor, and then disassemble pump.
- BW Recommended - Height needed to remove motor, motor bracket and impeller as one assembly.

PENTAIR AURORA® MODEL 382B SPLIT COUPLED PUMPS WITH OPTIONAL SPOOL BASE

9.5" PUMPS

Pump Size	Frame	X	DC ⁷	DE ⁷	DH	YY	VD	BW		Pump Weight Excluding Motor	Casing Feet Tapping ⁸	Drain Tap (NPSF)
								Minimum	Recommended			
3x3x9.5	360 TSC	11.50 (292)	10.12 (257)	10.12 (257)	33.47 (850)	11.50 (292)	10.88 (276)	6.50 (165)	6.50 (165)	304 (138)	3" Flange	1/2"
3x3x9.5	400 TSC	11.50 (292)	10.93 (278)	10.93 (278)	33.47 (850)	11.50 (292)	10.88 (276)	7.50 (191)	7.50 (191)	299 (136)	3" Flange	1/2"
4x4x9.5	140 TC	12.50 (318)	6.58 (167)	7.70 (196)	26.25 (667)	12.50 (318)	12.19 (310)	2.50 (64)	5.63 (143)	249 (113)	3" Flange	1/2"
4x4x9.5	180 TC	12.50 (318)	6.58 (167)	7.70 (196)	26.25 (667)	12.50 (318)	12.19 (310)	3.00 (76)	5.63 (143)	249 (113)	3" Flange	1/2"
4x4x9.5	210 TC	12.50 (318)	6.58 (167)	7.70 (196)	26.25 (667)	12.50 (318)	12.19 (310)	3.50 (89)	5.63 (143)	249 (113)	3" Flange	1/2"
4x4x9.5	250 TC	12.50 (318)	6.66 (169)	7.70 (196)	29.32 (745)	12.50 (318)	12.19 (310)	4.50 (114)	5.63 (143)	279 (127)	3" Flange	1/2"
4x4x9.5	280 TC/ TSC	12.50 (318)	7.84 (199)	7.84 (199)	29.32 (745)	12.50 (318)	12.19 (310)	5.00 (127)	5.63 (143)	279 (127)	3" Flange	1/2"
4x4x9.5	320 TSC	12.50 (318)	8.60 (218)	8.60 (218)	29.32 (745)	12.50 (318)	12.19 (310)	5.50 (140)	5.63 (143)	279 (127)	3" Flange	1/2"
4x4x9.5	360 TSC	12.50 (318)	10.12 (257)	10.12 (257)	34.53 (877)	12.50 (318)	12.19 (310)	6.50 (165)	6.50 (165)	339 (154)	3" Flange	1/2"
4x4x9.5	400 TSC	12.50 (318)	10.93 (278)	10.93 (278)	34.53 (877)	12.50 (318)	12.19 (310)	7.50 (191)	7.50 (191)	334 (152)	3" Flange	1/2"
4x4x9.5	440 TSC	12.50 (318)	11.79 (299)	11.79 (299)	34.53 (877)	12.50 (318)	12.19 (310)	8.75 (222)	8.75 (222)	334 (152)	3" Flange	1/2"
5x5x9.5	140 TC	14.50 (368)	6.79 (172)	9.52 (242)	27.91 (709)	14.50 (368)	13.86 (352)	2.50 (64)	5.50 (140)	343 (156)	4" Flange	1/2"
5x5x9.5	180 TC	14.50 (368)	6.79 (172)	9.52 (242)	27.91 (709)	14.50 (368)	13.86 (352)	3.00 (76)	5.50 (140)	343 (156)	4" Flange	1/2"
5x5x9.5	210 TC	14.50 (368)	6.79 (172)	9.52 (242)	27.91 (709)	14.50 (368)	13.86 (352)	3.50 (89)	5.50 (140)	343 (156)	4" Flange	1/2"
5x5x9.5	250 TC	14.50 (368)	6.79 (172)	9.52 (242)	30.98 (787)	14.50 (368)	13.86 (352)	4.50 (114)	5.50 (140)	373 (169)	4" Flange	1/2"
5x5x9.5	280 TSC	14.50 (368)	7.84 (199)	9.52 (242)	30.98 (787)	14.50 (368)	13.86 (352)	5.00 (127)	5.50 (140)	373 (169)	4" Flange	1/2"
5x5x9.5	320 TSC	14.50 (368)	8.60 (218)	9.52 (242)	30.98 (787)	14.50 (368)	13.86 (352)	5.50 (140)	5.50 (140)	373 (169)	4" Flange	1/2"
5x5x9.5	360 TSC	14.50 (368)	10.12 (257)	10.12 (257)	36.19 (919)	14.50 (368)	13.86 (352)	6.50 (165)	6.50 (165)	433 (196)	4" Flange	1/2"
5x5x9.5	400 TSC	14.50 (368)	10.93 (278)	10.93 (278)	36.19 (919)	14.50 (368)	13.86 (352)	7.50 (191)	7.50 (191)	428 (194)	4" Flange	1/2"
5x5x9.5	440 TSC	14.50 (368)	11.79 (299)	11.79 (299)	36.19 (919)	14.50 (368)	13.86 (352)	8.75 (222)	8.75 (222)	428 (194)	4" Flange	1/2"
6x6x9.5A	180 TC	16.75 (425)	7.59 (193)	10.70 (272)	30.19 (767)	16.75 (425)	15.75 (400)	3.00 (76)	6.00 (152)	403 (183)	4" Flange	1/2"
6x6x9.5A	210 TC	16.75 (425)	7.59 (193)	10.70 (272)	30.19 (767)	16.75 (425)	15.75 (400)	3.50 (89)	6.00 (152)	403 (183)	4" Flange	1/2"
6x6x9.5A	250 TC	16.75 (425)	7.59 (193)	10.70 (272)	33.26 (845)	16.75 (425)	15.75 (400)	4.50 (114)	6.00 (152)	433 (196)	4" Flange	1/2"
6x6x9.5A	280 TC	16.75 (425)	7.84 (199)	10.70 (272)	33.26 (845)	16.75 (425)	15.75 (400)	5.00 (127)	6.00 (152)	433 (196)	4" Flange	1/2"
8x8x9.5A*	250 TC	18.00 (457)	8.13 (207)	11.63 (295)	33.83 (859)	18.00 (457)	15.85 (403)	4.50 (114)	7.75 (197)	507 (230)	6" Flange	1/2"
8x8x9.5A*	280 TC	18.00 (457)	8.13 (207)	11.63 (295)	33.83 (859)	18.00 (457)	15.85 (403)	5.00 (127)	7.75 (197)	507 (230)	6" Flange	1/2"
8x8x9.5A*	320 TC	18.00 (457)	8.13 (207)	11.63 (295)	33.83 (859)	18.00 (457)	15.85 (403)	5.50 (140)	7.75 (197)	507 (230)	6" Flange	1/2"

*Temporarily unavailable until further notice.

NOTES:

- All dimensions are in inches (mm) and may vary ± 1/4(6).
- Not for construction purposes unless certified.
- N/A = Not applicable.
- Conduit box is shown in approximate location. Dimensions are not specified as they vary with each motor manufacturer.
- Suction and discharge flanges - 125# ANSI Standard flat face.
- Optionally available - Suction and discharge flanges - 250# ANSI Standard flat face.
- Dimensions DC & DE are unit's extreme dimensions and not limited to pump casing, and may vary with each motor manufacturer.
- Casing feet tapping - (4) Tapped holes matching 125# ANSI standard flanges.
- BW Minimum - Minimum height needed to remove motor, and then disassemble pump.
- BW Recommended - Height needed to remove motor, motor bracket and impeller as one assembly.

PENTAIR AURORA® MODEL 382B SPLIT COUPLED PUMPS WITH OPTIONAL SPOOL BASE

TC/TSC MOTOR FRAMES

FRAMES		143 TC	145 TC	184 TC	186 TC	213 TC
AG	ODP	12.00 (304)	12.00 (304)	14.00 (356)	14.00 (356)	17.00 (432)
	TEFC	13.00 (330)	13.00 (330)	13.00 (330)	13.00 (330)	21.00 (533)
FRAMES		215 TC	254 TC	256 TC	284 TC	286 TC
AG	ODP	18.00 (457)	22.00 (559)	22.00 (559)	23.00 (584)	23.00 (584)
	TEFC	21.00 (533)	25.00 (635)	25.00 (635)	27.00 (686)	27.00 (686)
FRAMES		324 TC	326 TC	364 TC	365 TC	404 TC
AG	ODP	23.00 (584)	23.00 (584)	25.00 (635)	25.00 (635)	28.00 (711)
	TEFC	28.00 (711)	29.00 (737)	35.00 (889)	35.00 (889)	36.00 (914)
FRAMES		405 TC	444 TC	445 TC	447 TC	449 TC
AG	ODP	28.00 (711)	33.00 (838)	35.00 (889)	38.00 (965)	40.00 (1016)
	TEFC	36.00 (914)	38.00 (965)	38.00 (965)	41.00 (1041)	49.00 (1245)

11" PUMPS

Pump Size	Frame	X	DC ⁷	DE ⁷	DH	YY	VD	BW		Pump Weight Excluding Motor	Casing Feet Tapping ⁸	Drain Tap (NPSF)
								Minimum	Recommended			
2x2x11	140 TC	11.00 (279)	6.94 (176)	6.94 (176)	23.91 (607)	11.00 (279)	9.88 (251)	2.50 (64)	4.00 (102)	221 (100)	2" Flange	1/2"
2x2x11	180 TC	11.00 (279)	6.94 (176)	6.94 (176)	23.91 (607)	11.00 (279)	9.88 (251)	3.00 (76)	4.00 (102)	221 (100)	2" Flange	1/2"
2x2x11	210 TC	11.00 (279)	6.94 (176)	6.94 (176)	23.91 (607)	11.00 (279)	9.88 (251)	3.50 (89)	4.00 (102)	221 (100)	2" Flange	1/2"
2x2x11	250 TC	11.00 (279)	6.94 (176)	6.94 (176)	27.27 (693)	11.00 (279)	9.88 (251)	4.50 (114)	4.50 (114)	256 (116)	2" Flange	1/2"
2x2x11	280 TC/TSC	11.00 (279)	6.94 (176)	7.00 (178)	27.27 (693)	11.00 (279)	9.88 (251)	5.00 (127)	5.00 (127)	256 (116)	2" Flange	1/2"
2x2x11	320 TC/TSC	11.00 (279)	8.60 (218)	8.60 (218)	27.27 (693)	11.00 (279)	9.88 (251)	5.50 (140)	5.50 (140)	261 (118)	2" Flange	1/2"
3x3x11A	140 TC	12.50 (318)	6.94 (176)	7.36 (187)	24.83 (631)	11.50 (292)	11.00 (279)	2.50 (64)	6.00 (152)	221 (100)	2" Flange	1/2"
3x3x11A	180 TC	12.50 (318)	6.94 (176)	7.36 (187)	24.83 (631)	11.50 (292)	11.00 (279)	3.00 (76)	6.00 (152)	221 (100)	2" Flange	1/2"
3x3x11A	210 TC	12.50 (318)	6.94 (176)	7.36 (187)	24.83 (631)	11.50 (292)	11.00 (279)	3.50 (89)	6.00 (152)	221 (100)	2" Flange	1/2"
3x3x11A	250 TC	12.50 (318)	6.94 (176)	7.36 (187)	28.08 (713)	11.50 (292)	11.00 (279)	4.50 (114)	6.00 (152)	256 (116)	2" Flange	1/2"
3x3x11A	280 TC	12.50 (318)	6.94 (176)	7.36 (187)	28.08 (713)	11.50 (292)	11.00 (279)	5.00 (127)	6.00 (152)	251 (114)	2" Flange	1/2"
3x3x11A	320 TC	12.50 (318)	8.61 (219)	8.61 (219)	28.08 (713)	11.50 (292)	11.00 (279)	5.50 (140)	6.00 (152)	256 (116)	2" Flange	1/2"
3x3x11A	360 TSC	12.50 (318)	10.12 (257)	10.12 (257)	33.13 (842)	11.50 (292)	11.00 (279)	6.50 (165)	6.50 (165)	301 (137)	2" Flange	1/2"
3x3x11A	400 TSC	12.50 (318)	10.93 (278)	10.93 (278)	33.13 (842)	11.50 (292)	11.00 (279)	7.50 (191)	7.50 (191)	301 (137)	2" Flange	1/2"
4x4x11	180 TC	14.00 (356)	7.26 (184)	8.45 (215)	26.71 (678)	12.50 (318)	12.88 (327)	3.00 (76)	6.00 (152)	293 (133)	4" Flange	1/2"

NOTES:

- All dimensions are in inches (mm) and may vary ± 1/4(6).
- Not for construction purposes unless certified.
- N/A = Not applicable.
- Conduit box is shown in approximate location. Dimensions are not specified as they vary with each motor manufacturer.
- Suction and discharge flanges - 125# ANSI Standard flat face.
- Optionally available - Suction and discharge flanges - 250# ANSI Standard flat face.
- Dimensions DC & DE are unit's extreme dimensions and not limited to pump casing, and may vary with each motor manufacturer.
- Casing feet tapping - (4) Tapped holes matching 125# ANSI standard flanges.
- BW Minimum - Minimum height needed to remove motor, and then disassemble pump.
- BW Recommended - Height needed to remove motor, motor bracket and impeller as one assembly.

PENTAIR AURORA® MODEL 382B SPLIT COUPLED PUMPS WITH OPTIONAL SPOOL BASE

11" PUMPS

Pump Size	Frame	X	DC ⁷	DE ⁷	DH	YY	VD	BW		Pump Weight Excluding Motor	Casing Feet Tapping ⁸	Drain Tap (NPSF)
								Minimum	Recommended			
4x4x11	210 TC	14.00 (356)	7.26 (184)	8.45 (215)	26.71 (678)	12.50 (318)	12.88 (327)	3.50 (89)	6.00 (152)	293 (133)	4" Flange	1/2"
4x4x11	250 TC	14.00 (356)	7.26 (184)	8.45 (215)	29.96 (761)	12.50 (318)	12.88 (327)	4.50 (114)	6.00 (152)	323 (147)	4" Flange	1/2"
4x4x11	280 TC	14.00 (356)	7.84 (199)	8.45 (215)	29.96 (761)	12.50 (318)	12.88 (327)	5.00 (127)	6.00 (152)	323 (147)	4" Flange	1/2"
4x4x11	320 TC	14.00 (356)	8.60 (218)	8.60 (218)	29.96 (761)	12.50 (318)	12.88 (327)	5.50 (140)	6.00 (152)	323 (147)	4" Flange	1/2"
4x4x11	360 TSC	14.00 (356)	10.12 (257)	10.12 (257)	35.01 (889)	12.50 (318)	12.88 (327)	6.50 (165)	6.50 (165)	373 (169)	4" Flange	1/2"
4x4x11	400 TSC	14.00 (356)	10.93 (278)	10.93 (278)	35.01 (889)	12.50 (318)	12.88 (327)	7.50 (191)	7.50 (191)	368 (167)	4" Flange	1/2"
4x4x11	440 TSC	14.00 (356)	11.79 (299)	11.79 (299)	35.01 (889)	12.50 (318)	12.88 (327)	8.75 (222)	8.75 (222)	368 (167)	4" Flange	1/2"
5x5x11A	140 TC	14.75 (375)	7.43 (189)	9.70 (246)	27.02 (686)	14.25 (362)	13.13 (334)	2.50 (64)	6.00 (152)	328 (149)	4" Flange	1/2"
5x5x11A	180 TC	14.75 (375)	7.43 (189)	9.70 (246)	27.02 (686)	14.25 (362)	13.13 (334)	3.00 (76)	6.00 (152)	333 (151)	4" Flange	1/2"
5x5x11A	210 TC	14.75 (375)	7.43 (189)	9.70 (246)	27.02 (686)	14.25 (362)	13.13 (334)	3.50 (89)	6.00 (152)	333 (151)	4" Flange	1/2"
5x5x11A	250 TC	14.75 (375)	7.43 (189)	9.70 (246)	30.27 (769)	14.25 (362)	13.13 (334)	4.50 (114)	6.00 (152)	363 (165)	4" Flange	1/2"
5x5x11A	280 TC	14.75 (375)	7.84 (199)	9.70 (246)	30.27 (769)	14.25 (362)	13.13 (334)	5.00 (127)	6.00 (152)	363 (165)	4" Flange	1/2"
5x5x11A	320 TC	14.75 (375)	8.60 (218)	9.70 (246)	30.27 (769)	14.25 (362)	13.13 (334)	5.50 (140)	6.00 (152)	363 (165)	4" Flange	1/2"
5x5x11A	360 TSC	14.75 (375)	10.12 (257)	10.12 (257)	35.32 (897)	14.25 (362)	13.13 (334)	6.00 (152)	6.00 (152)	413 (187)	4" Flange	1/2"
5x5x11A	400 TSC	14.75 (375)	10.93 (278)	10.93 (278)	35.32 (897)	14.25 (362)	13.13 (334)	7.50 (191)	7.50 (191)	408 (185)	4" Flange	1/2"
5x5x11A	440 TSC	14.75 (375)	11.79 (299)	11.79 (299)	35.32 (897)	14.25 (362)	13.13 (334)	8.50 (216)	8.50 (216)	408 (185)	4" Flange	1/2"
6x6x11	140 TC	16.00 (406)	8.04 (204)	10.98 (279)	29.20 (742)	17.00 (432)	15.25 (387)	2.50 (64)	7.00 (178)	402 (182)	6" Flange	1/2"
6x6x11	180 TC	16.00 (406)	8.04 (204)	10.98 (279)	29.20 (742)	17.00 (432)	15.25 (387)	3.00 (76)	7.00 (178)	402 (182)	6" Flange	1/2"
6x6x11	210 TC	16.00 (406)	8.04 (204)	10.98 (279)	29.20 (742)	17.00 (432)	15.25 (387)	3.50 (89)	7.00 (178)	402 (182)	6" Flange	1/2"
6x6x11	250 TC	16.00 (406)	8.04 (204)	10.98 (279)	32.45 (824)	17.00 (432)	15.25 (387)	4.50 (114)	7.00 (178)	437 (198)	6" Flange	1/2"
6x6x11	280 TC	16.00 (406)	8.04 (204)	10.98 (279)	32.45 (824)	17.00 (432)	15.25 (387)	5.00 (127)	7.00 (178)	437 (198)	6" Flange	1/2"
6x6x11	320 TC	16.00 (406)	8.60 (218)	10.98 (279)	32.45 (824)	17.00 (432)	15.25 (387)	5.50 (140)	7.00 (178)	437 (198)	6" Flange	1/2"
6x6x11	360 TC	16.00 (406)	8.60 (218)	10.98 (279)	37.50 (953)	17.00 (432)	15.25 (387)	6.50 (165)	7.00 (178)	482 (219)	6" Flange	1/2"
8x8x11A	210 TC	19.50 (495)	9.06 (230)	13.12 (333)	30.97 (787)	21.50 (546)	16.64 (423)	3.50 (89)	7.00 (178)	522 (237)	6" Flange	1/2"
8x8x11A	250 TC	19.50 (495)	9.06 (230)	13.12 (333)	34.22 (869)	21.50 (546)	16.64 (423)	4.50 (114)	7.00 (178)	557 (253)	6" Flange	1/2"
8x8x11A	280 TC	19.50 (495)	9.06 (230)	13.12 (333)	34.22 (869)	21.50 (546)	16.64 (423)	5.00 (127)	7.00 (178)	557 (253)	6" Flange	1/2"
8x8x11A	320 TC	19.50 (495)	9.06 (230)	13.12 (333)	34.22 (869)	21.50 (546)	16.64 (423)	5.50 (140)	7.00 (178)	557 (253)	6" Flange	1/2"
8x8x11A	360 TC	19.50 (495)	10.12 (257)	13.12 (333)	39.27 (997)	21.50 (546)	16.64 (423)	6.50 (165)	7.00 (178)	602 (273)	6" Flange	1/2"

NOTES:

- All dimensions are in inches(mm) and may vary ± 1/4(6).
- Not for construction purposes unless certified.
- N/A = Not applicable.
- Conduit box is shown in approximate location. Dimensions are not specified as they vary with each motor manufacturer.
- Suction and discharge flanges - 125# ANSI Standard flat face.
- Optionally available - Suction and discharge flanges - 250# ANSI Standard flat face.
- Dimensions DC & DE are unit's extreme dimensions and not limited to pump casing, and may vary with each motor manufacturer.
- Casing feet tapping - (4) Tapped holes matching 125# ANSI standard flanges.
- BW Minimum - Minimum height needed to remove motor, and then disassemble pump.
- BW Recommended - Height needed to remove motor, motor bracket and impeller as one assembly.

PENTAIR AURORA® MODEL 382B SPLIT COUPLED PUMPS WITH OPTIONAL SPOOL BASE

TC MOTOR FRAMES

FRAMES		143 TC	145 TC	184 TC	186 TC	213 TC
AG	ODP	12.00 (304)	12.00 (304)	14.00 (356)	14.00 (356)	17.00 (432)
	TEFC	13.00 (330)	13.00 (330)	13.00 (330)	13.00 (330)	21.00 (533)
FRAMES		215 TC	254 TC	256 TC	284 TC	286 TC
AG	ODP	18.00 (457)	22.00 (559)	22.00 (559)	23.00 (584)	23.00 (584)
	TEFC	21.00 (533)	25.00 (635)	25.00 (635)	27.00 (686)	27.00 (686)
FRAMES		324 TC	326 TC	364 TC	365 TC	404 TC
AG	ODP	23.00 (584)	23.00 (584)	25.00 (635)	25.00 (635)	28.00 (711)
	TEFC	28.00 (711)	29.00 (737)	35.00 (889)	35.00 (889)	36.00 (914)
FRAMES		405 TC	444 TC	445 TC	447 TC	449 TC
AG	ODP	28.00 (711)	33.00 (838)	35.00 (889)	38.00 (965)	40.00 (1016)
	TEFC	36.00 (914)	38.00 (965)	38.00 (965)	41.00 (1041)	49.00 (1245)

13.5" PUMPS

Pump Size	Frame	X	DC ⁷	DE ⁷	DH	YY	VD	BW		Pump Weight Excluding Motor	Casing Feet Tapping ⁸	Drain Tap (NPSF)
								Minimum	Recommended			
3x3x13.5	140 TC	14.25 (362)	8.52 (216)	9.26 (235)	28.01 (711)	14.25 (362)	13.13 (334)	2.50 (64)	7.50 (191)	353 (160)	4" Flange	1/2"
3x3x13.5	180 TC	14.25 (362)	8.52 (216)	9.26 (235)	28.01 (711)	14.25 (362)	13.13 (334)	3.00 (76)	7.50 (191)	353 (160)	4" Flange	1/2"
3x3x13.5	210 TC	14.25 (362)	8.52 (216)	9.26 (235)	28.01 (711)	14.25 (362)	13.13 (334)	3.50 (89)	7.50 (191)	353 (160)	4" Flange	1/2"
3x3x13.5	250 TC	14.25 (362)	8.52 (216)	9.26 (235)	30.44 (773)	14.25 (362)	13.13 (334)	4.50 (114)	7.50 (191)	383 (174)	4" Flange	1/2"
3x3x13.5	280 TC	14.25 (362)	8.52 (216)	9.26 (235)	30.44 (773)	14.25 (362)	13.13 (334)	5.00 (127)	7.50 (191)	383 (174)	4" Flange	1/2"
3x3x13.5	320 TC	14.25 (362)	8.52 (216)	9.26 (235)	30.44 (773)	14.25 (362)	13.13 (334)	5.50 (140)	7.50 (191)	383 (174)	4" Flange	1/2"
4x4x13.5	180 TC	14.50 (368)	8.72 (221)	9.66 (245)	28.76 (731)	14.50 (368)	13.94 (354)	3.00 (76)	6.50 (165)	358 (162)	4" Flange	1/2"
4x4x13.5	210 TC	14.50 (368)	8.72 (221)	9.66 (245)	28.76 (731)	14.50 (368)	13.94 (354)	3.50 (89)	6.50 (165)	358 (162)	4" Flange	1/2"
4x4x13.5	250 TC	14.50 (368)	8.72 (221)	9.66 (245)	31.19 (792)	14.50 (368)	13.94 (354)	4.50 (114)	6.50 (165)	393 (178)	4" Flange	1/2"
4x4x13.5	280 TC	14.50 (368)	8.72 (221)	9.66 (245)	31.19 (792)	14.50 (368)	13.94 (354)	5.00 (127)	6.50 (165)	393 (178)	4" Flange	1/2"
4x4x13.5	320 TC	14.50 (368)	8.72 (221)	9.66 (245)	31.19 (792)	14.50 (368)	13.94 (354)	5.50 (140)	6.50 (165)	393 (178)	4" Flange	1/2"
5x5x13.5	250 TC	16.50 (419)	8.91 (226)	10.02 (255)	31.11 (790)	16.50 (419)	14.23 (361)	4.50 (114)	6.88 (175)	448 (203)	4" Flange	1/2"
5x5x13.5	280 TC	16.50 (419)	8.91 (226)	10.02 (255)	31.11 (790)	16.50 (419)	14.23 (361)	5.00 (127)	6.88 (175)	448 (203)	4" Flange	1/2"
5x5x13.5	320 TC	16.50 (419)	8.91 (226)	10.02 (255)	31.11 (790)	16.50 (419)	14.23 (361)	5.50 (140)	6.88 (175)	448 (203)	4" Flange	1/2"
6x6x13.5	250 TC	19.25 (489)	9.53 (242)	12.63 (321)	33.25 (845)	19.75 (502)	15.88 (403)	4.50 (114)	7.50 (191)	587 (266)	6" Flange	1/2"

NOTES:

- All dimensions are in inches (mm) and may vary ± 1/4(6).
- Not for construction purposes unless certified.
- N/A = Not applicable.
- Conduit box is shown in approximate location. Dimensions are not specified as they vary with each motor manufacturer.
- Suction and discharge flanges - 125# ANSI Standard flat face.
- Optionally available - Suction and discharge flanges - 250# ANSI Standard flat face.
- Dimensions DC & DE are unit's extreme dimensions and not limited to pump casing, and may vary with each motor manufacturer.
- Casing feet tapping - (4) Tapped holes matching 125# ANSI standard flanges.
- BW Minimum - Minimum height needed to remove motor, and then disassemble pump.
- BW Recommended - Height needed to remove motor, motor bracket and impeller as one assembly.

PENTAIR AURORA® MODEL 382B SPLIT COUPLED PUMPS WITH OPTIONAL SPOOL BASE

13.5" PUMPS

Pump Size	Frame	X	DC ⁷	DE ⁷	DH	YY	VD	BW		Pump Weight Excluding Motor	Casing Feet Tapping ⁸	Drain Tap (NPSF)
								Minimum	Recommended			
6x6x13.5	280 TC	19.25 (489)	9.53 (242)	12.63 (321)	33.25 (845)	19.75 (502)	15.88 (403)	5.00 (127)	7.50 (191)	587 (266)	6" Flange	1/2"
6x6x13.5	320 TC	19.25 (489)	9.53 (242)	12.63 (321)	33.25 (845)	19.75 (502)	15.88 (403)	5.50 (140)	7.50 (191)	587 (266)	6" Flange	1/2"
6x6x13.5	360 TC	19.25 (489)	9.53 (242)	12.63 (321)	38.32 (973)	19.75 (502)	15.88 (403)	6.50 (165)	7.50 (191)	632 (287)	6" Flange	1/2"
8x8x13.5A	250 TC	21.50 (546)	9.93 (252)	13.74 (349)	34.29 (871)	20.50 (521)	16.96 (431)	4.50 (114)	8.00 (203)	677 (307)	6" Flange	1/2"
8x8x13.5A	280 TC	21.50 (546)	9.93 (252)	13.74 (349)	34.29 (871)	20.50 (521)	16.96 (431)	5.00 (127)	8.00 (203)	677 (307)	6" Flange	1/2"
8x8x13.5A	320 TC	21.50 (546)	9.93 (252)	13.74 (349)	34.29 (871)	20.50 (521)	16.96 (431)	5.50 (140)	8.00 (203)	678 (307)	6" Flange	1/2"
8x8x13.5A	360 TC	21.50 (546)	9.93 (252)	13.74 (349)	39.32 (999)	20.50 (521)	16.96 (431)	6.50 (165)	8.00 (203)	729 (331)	6" Flange	1/2"
8x8x13.5A	400 TC	21.50 (546)	9.93 (252)	13.74 (349)	39.32 (999)	20.50 (521)	16.96 (431)	7.50 (191)	8.00 (203)	727 (330)	6" Flange	1/2"
8x8x13.5A	440 TC	21.50 (546)	9.93 (252)	13.74 (349)	39.32 (999)	20.50 (521)	16.96 (431)	8.75 (222)	9.00 (229)	734 (333)	6" Flange	1/2"
10x10x13.5A	250 TC	23.00 (584)	10.52 (267)	15.67 (398)	35.04 (890)	24.50 (622)	17.88 (454)	4.50 (114)	8.00 (203)	816 (370)	6" Flange	1/2"
10x10x13.5A	280 TC	23.00 (584)	10.52 (267)	15.67 (398)	35.04 (890)	24.50 (622)	17.88 (454)	5.00 (127)	8.00 (203)	816 (370)	6" Flange	1/2"
10x10x13.5A	320 TC	23.00 (584)	10.52 (267)	15.67 (398)	35.04 (890)	24.50 (622)	17.88 (454)	5.50 (140)	8.00 (203)	817 (371)	6" Flange	1/2"
10x10x13.5A	360 TC	23.00 (584)	10.52 (267)	15.67 (398)	40.07 (1018)	24.50 (622)	17.88 (454)	6.50 (165)	8.00 (203)	869 (394)	6" Flange	1/2"
10x10x13.5A	400 TC	23.00 (584)	10.52 (267)	15.67 (398)	40.07 (1018)	24.50 (622)	17.88 (454)	8.00 (203)	8.00 (203)	867 (393)	6" Flange	1/2"
10x10x13.5A	440 TC	23.00 (584)	10.52 (267)	15.67 (398)	40.07 (1018)	24.50 (622)	17.88 (454)	9.00 (229)	9.00 (229)	874 (396)	6" Flange	1/2"

NOTES:

- All dimensions are in inches (mm) and may vary ± 1/4(6).
- Not for construction purposes unless certified.
- N/A = Not applicable.
- Conduit box is shown in approximate location. Dimensions are not specified as they vary with each motor manufacturer.
- Suction and discharge flanges - 125# ANSI Standard flat face.
- Optionally available - Suction and discharge flanges - 250# ANSI Standard flat face.
- Dimensions DC & DE are unit's extreme dimensions and not limited to pump casing, and may vary with each motor manufacturer.
- Casing feet tapping - (4) Tapped holes matching 125# ANSI standard flanges.
- BW Minimum - Minimum height needed to remove motor, and then disassemble pump.
- BW Recommended - Height needed to remove motor, motor bracket and impeller as one assembly.

PENTAIR AURORA® MODEL 382B SPLIT COUPLED PUMPS WITH OPTIONAL SPOOL BASE

TC MOTOR FRAMES

FRAMES		286 TC	324 TC	326 TC	364 TC	365 TC	404 TC
AG	ODP	23.00 (584)	23.00 (584)	23.00 (584)	25.00 (635)	25.00 (635)	28.00 (711)
	TEFC	27.00 (686)	28.00 (711)	29.00 (737)	35.00 (889)	35.00 (889)	36.00 (914)
FRAMES		405 TC	444 TC	445 TC	447 TC	449 TC	5010 SD
AG	ODP	28.00 (711)	33.00 (838)	35.00 (889)	38.00 (965)	40.00 (1016)	51.00 (1295)
	TEFC	36.00 (914)	38.00 (965)	38.00 (965)	41.00 (1041)	49.00 (1245)	64.00 (1626)

10x10x14 THROUGH 14x14x18

Pump Size	Frame	X	DC ⁷	DE ⁷	DH	YY	VD	BW		Pump Weight Excluding Motor	Casing Feet Tapping ⁸	Drain Tap (NPSF)
								Minimum	Recommended			
10x10x14	320 TC	25.00 (635)	10.61 (269)	14.80 (376)	38.24 (971)	25.00 (635)	16.61 (422)	6.00 (152)	15.00 (381)	1176	8" Flange	1/2"
10x10x14	360 TC	25.00 (635)	10.61 (269)	14.80 (376)	38.86 (987)	25.00 (635)	16.61 (422)	6.50 (165)	15.00 (381)	1178	8" Flange	1/2"
10x10x14	400 TC	25.00 (635)	10.61 (269)	14.80 (376)	40.24 (1022)	25.00 (635)	16.61 (422)	8.00 (203)	15.00 (381)	1183	8" Flange	1/2"
10x10x14	440 TC	25.00 (635)	10.61 (269)	14.80 (376)	41.49 (1054)	25.00 (635)	16.61 (422)	9.00 (229)	15.00 (381)	1196	8" Flange	1/2"
10x10x19	360 TC	26.00 (660)	13.22 (336)	17.97 (456)	37.65 (956)	26.00 (660)	20.00 (508)	6.50 (165)	9.00 (229)	1160	8" Flange	1/2"
10x10x19	400 TC	26.00 (660)	13.22 (336)	17.97 (456)	39.03 (991)	26.00 (660)	20.00 (508)	8.00 (203)	9.00 (229)	1165	8" Flange	1/2"
10x10x19	440 TC	26.00 (660)	13.22 (336)	17.97 (456)	40.28 (1023)	26.00 (660)	20.00 (508)	9.00 (229)	9.00 (229)	1168	8" Flange	1/2"
10x10x19	5010 SD	26.00 (660)	13.22 (336)	17.97 (456)	37.53 (953)	26.00 (660)	20.00 (508)	6.00 (152)	9.00 (229)	1229	8" Flange	1/2"
12x12x14	280 TC	25.75 (654)	11.33 (288)	17.09 (434)	44.45 (1129)	25.75 (654)	20.00 (508)	5.00 (127)	20.00 (508)	1471	10" Flange	1/2"
12x12x14	320 TC	25.75 (654)	11.33 (288)	17.09 (434)	45.08 (1145)	25.75 (654)	20.00 (508)	6.00 (152)	20.00 (508)	1477	10" Flange	1/2"
12x12x14	360 TC	25.75 (654)	11.33 (288)	17.09 (434)	45.70 (1161)	25.75 (654)	20.00 (508)	6.50 (165)	20.00 (508)	1479	10" Flange	1/2"
12x12x14	400 TC	25.75 (654)	11.33 (288)	17.09 (434)	47.08 (1196)	25.75 (654)	20.00 (508)	8.00 (203)	20.00 (508)	1484	10" Flange	1/2"
12x12x14	440 TC	25.75 (654)	11.33 (288)	17.09 (434)	48.33 (1228)	25.75 (654)	20.00 (508)	9.00 (229)	20.00 (508)	1497	10" Flange	1/2"
12x12x18	360 TC	28.00 (711)	12.84 (326)	18.57 (472)	51.12 (1298)	28.00 (711)	21.94 (557)	6.50 (165)	22.00 (559)	1911	10" Flange	1/2"
12x12x18	400 TC	28.00 (711)	12.84 (326)	18.57 (472)	52.50 (1334)	28.00 (711)	21.94 (557)	8.00 (203)	22.00 (559)	1916	10" Flange	1/2"
12x12x18	440 TC	28.00 (711)	12.84 (326)	18.57 (472)	53.75 (1365)	28.00 (711)	21.94 (557)	9.00 (229)	22.00 (559)	1929	10" Flange	1/2"
12x12x18	5010 SD	28.00 (711)	12.84 (326)	18.57 (472)	51.03 (1296)	28.00 (711)	21.94 (557)	6.00 (152)	22.00 (559)	1980	10" Flange	1/2"

NOTES:

- All dimensions are in inches (mm) and may vary ± 1/4(6).
- Not for construction purposes unless certified.
- N/A = Not applicable.
- Conduit box is shown in approximate location. Dimensions are not specified as they vary with each motor manufacturer.
- Suction and discharge flanges - 125# ANSI Standard flat face.
- Optionally available - Suction and discharge flanges - 250# ANSI Standard flat face.
- Dimensions DC & DE are unit's extreme dimensions and not limited to pump casing, and may vary with each motor manufacturer.
- Casing feet tapping - (4) Tapped holes matching 125# ANSI standard flanges.
- BW Minimum - Minimum height needed to remove motor, and then disassemble pump.
- BW Recommended - Height needed to remove motor, motor bracket and impeller as one assembly.

PENTAIR AURORA® MODEL 382B SPLIT COUPLED PUMPS WITH OPTIONAL SPOOL BASE

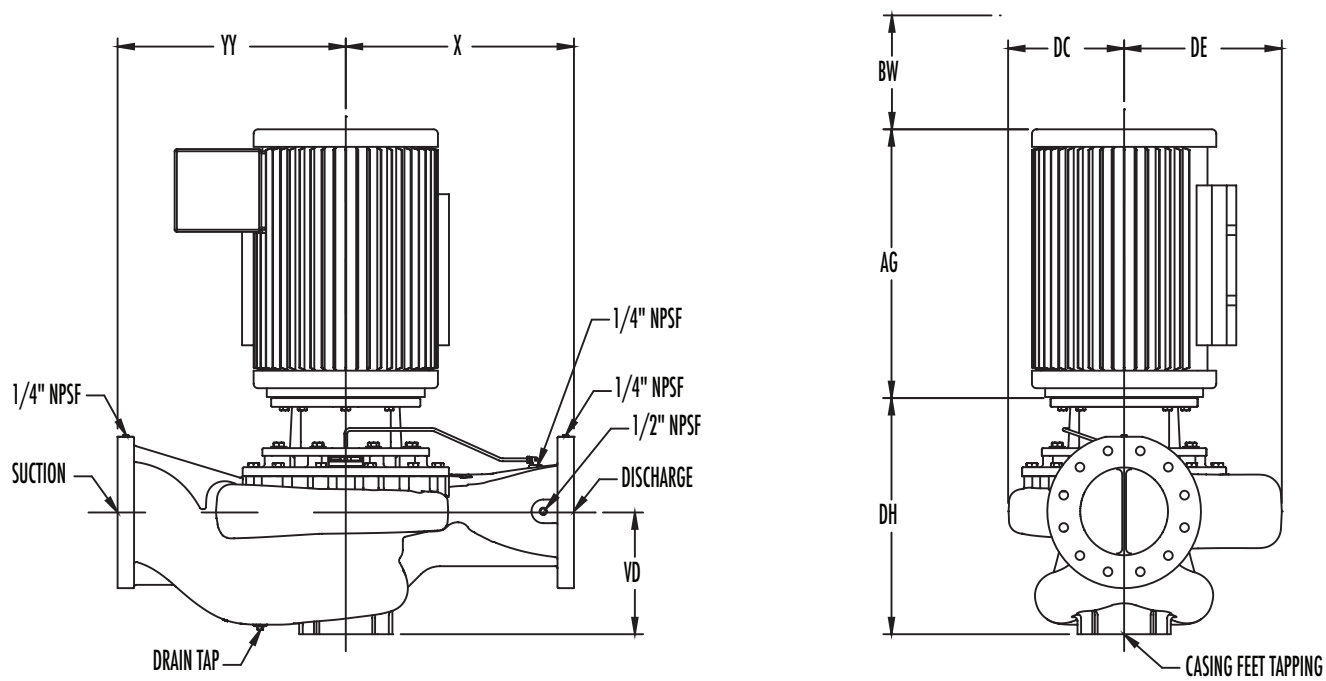
10x10x14 THROUGH 14x14x18

Pump Size	Frame	X	DC ⁷	DE ⁷	DH	YY	VD	BW		Pump Weight Excluding Motor	Casing Feet Tapping ⁸	Drain Tap (NPSF)
								Minimum	Recommended			
14x14x15	320 TC	27.50 (699)	12.93 (328)	19.67 (500)	47.75 (1213)	27.50 (699)	20.94 (532)	6.00 (152)	22.00 (559)	1738	10" Flange	3/4"
14x14x15	360 TC	27.50 (699)	12.93 (328)	19.67 (500)	48.37 (1229)	27.50 (699)	20.94 (532)	6.50 (165)	22.00 (559)	1743	10" Flange	3/4"
14x14x15	400 TC	27.50 (699)	12.93 (328)	19.67 (500)	49.75 (1264)	27.50 (699)	20.94 (532)	8.00 (203)	22.00 (559)	1802	10" Flange	3/4"
14x14x15	440 TC	27.50 (699)	12.93 (328)	19.67 (500)	51.00 (1295)	27.50 (699)	20.94 (532)	9.00 (229)	22.00 (559)	1815	10" Flange	3/4"
14x14x15	5010 SD	27.50 (699)	12.93 (328)	19.67 (500)	48.25 (1226)	27.50 (699)	20.94 (532)	6.00 (152)	22.00 (559)	1850	10" Flange	3/4"
14x14x18	400 TC	31.00 (787)	13.14 (334)	18.34 (466)	49.00 (1245)	31.00 (787)	20.19 (513)	8.00 (203)	20.00 (508)	2043	10" Flange	3/4"
14x14x18	440 TC	31.00 (787)	13.14 (334)	18.34 (466)	50.25 (1276)	31.00 (787)	20.19 (513)	9.00 (229)	20.00 (508)	2054	10" Flange	3/4"
14x14x18	5010 SD	31.00 (787)	13.14 (334)	18.34 (466)	47.50 (1207)	31.00 (787)	20.19 (513)	6.00 (152)	20.00 (508)	2092	10" Flange	3/4"

NOTES:

- All dimensions are in inches (mm) and may vary ± 1/4(6).
- Not for construction purposes unless certified.
- N/A = Not applicable.
- Conduit box is shown in approximate location. Dimensions are not specified as they vary with each motor manufacturer.
- Suction and discharge flanges - 125# ANSI Standard flat face.
- Optionally available - Suction and discharge flanges - 250# ANSI Standard flat face.
- Dimensions DC & DE are unit's extreme dimensions and not limited to pump casing, and may vary with each motor manufacturer.
- Casing feet tapping - (4) Tapped holes matching 125# ANSI standard flanges.
- BW Minimum - Minimum height needed to remove motor, and then disassemble pump.
- BW Recommended - Height needed to remove motor, motor bracket and impeller as one assembly.

PENTAIR AURORA[®] MODEL 382B CLOSE COUPLED PUMPS



PENTAIR AURORA® MODEL 382B CLOSE COUPLED PUMPS

JM AND JP MOTOR FRAMES

FRAMES		143 JM	145 JM	182 JM	184 JM	213 JM	215 JM	254 JM
AG	ODP	10.00 (254)	11.00 (279)	12.00 (305)	15.00 (381)	17.00 (432)	17.00 (432)	21.00 (533)
	TEFC	12.00 (305)	13.00 (330)	14.00 (356)	17.00 (432)	19.00 (483)	19.00 (483)	23.00 (584)
FRAMES		256 JM	284 JM	286 JM	324 JM	326 JM	364-365 JP	404-405 JP
AG	ODP	21.00 (533)	22.00 (559)	22.00 (559)	24.00 (610)	24.00 (610)	28.00 (711)	31.00 (787)
	TEFC	23.00 (584)	24.00 (610)	24.00 (610)	26.00 (660)	26.00 (660)	28.00 (711)	31.00 (787)

7" PUMPS

Pump Size	Frame	X	DC ⁷	DE ⁷	DH	YY	VD	BW	Pump Weight Excluding Motor	Casing Feet Tapping ⁸	Drain Tap (NPSF)
1.5x1.5x7	140 JM	7.50 (191)	4.56 (116)	4.90 (124)	9.02 (229)	7.50 (191)	4.81 (122)	3.75 (95)	95 (43)	1.5" Flange	1/2"
1.5x1.5x7	180 JM	7.50 (191)	4.78 (121)	4.90 (124)	9.02 (229)	7.50 (191)	4.81 (122)	3.75 (95)	95 (43)	1.5" Flange	1/2"
1.5x1.5x7	210 JM	7.50 (191)	5.50 (140)	5.50 (140)	9.23 (235)	7.50 (191)	4.81 (122)	3.75 (95)	95 (43)	1.5" Flange	1/2"
2x2x7A	140 JM	8.50 (216)	4.56 (116)	5.12 (130)	10.07 (256)	8.50 (216)	5.31 (135)	4.38 (111)	105 (48)	2" Flange	1/2"
2x2x7A	180 JM	8.50 (216)	4.78 (121)	5.12 (130)	10.07 (256)	8.50 (216)	5.31 (135)	4.38 (111)	105 (48)	2" Flange	1/2"
2x2x7A	210 JM	8.50 (216)	5.50 (140)	5.50 (140)	10.28 (261)	8.50 (216)	5.31 (135)	4.38 (111)	105 (48)	2" Flange	1/2"
2x2x7A	250 JM	8.50 (216)	6.69 (170)	6.69 (170)	10.90 (277)	8.50 (216)	5.31 (135)	4.38 (111)	110 (50)	2" Flange	1/2"
2.5x2.5x7A	140 JM	9.00 (229)	4.67 (119)	5.39 (137)	10.74 (273)	9.00 (229)	5.88 (149)	4.75 (121)	120 (54)	2" Flange	1/2"
2.5x2.5x7A	180 JM	9.00 (229)	4.78 (121)	5.39 (137)	10.74 (273)	9.00 (229)	5.88 (149)	4.75 (121)	120 (54)	2" Flange	1/2"
2.5x2.5x7A	210 JM	9.00 (229)	5.50 (140)	5.50 (140)	10.95 (278)	9.00 (229)	5.88 (149)	4.75 (121)	120 (54)	2" Flange	1/2"
2.5x2.5x7A	250 JM	9.00 (229)	6.69 (170)	6.69 (170)	11.57 (294)	9.00 (229)	5.88 (149)	4.75 (121)	125 (57)	2" Flange	1/2"
3x3x7	140 JM	9.50 (241)	4.99 (127)	5.77 (147)	11.77 (299)	9.50 (241)	6.98 (177)	4.75 (121)	135 (61)	2.5" Flange	1/2"
3x3x7	180 JM	9.50 (241)	4.99 (127)	5.77 (147)	11.77 (299)	9.50 (241)	6.98 (177)	4.75 (121)	135 (61)	2.5" Flange	1/2"
3x3x7	210 JM	9.50 (241)	5.50 (140)	5.77 (147)	11.98 (304)	9.50 (241)	6.98 (177)	4.75 (121)	135 (61)	2.5" Flange	1/2"
3x3x7	250 JM	9.50 (241)	6.69 (170)	6.69 (170)	12.60 (320)	9.50 (241)	6.98 (177)	4.75 (121)	140 (64)	2.5" Flange	1/2"
3x3x7	280 JM	9.50 (241)	7.10 (180)	7.10 (180)	12.60 (320)	9.50 (241)	6.98 (177)	4.75 (121)	140 (64)	2.5" Flange	1/2"
4x4x7A	140 JM	10.50 (267)	5.06 (129)	6.17 (157)	12.21 (310)	10.50 (267)	7.56 (192)	5.00 (127)	160 (73)	3" Flange	1/2"
4x4x7A	180 JM	10.50 (267)	5.06 (129)	6.17 (157)	12.21 (310)	10.50 (267)	7.56 (192)	5.00 (127)	160 (73)	3" Flange	1/2"
4x4x7A	210 JM	10.50 (267)	5.50 (140)	6.17 (157)	12.42 (316)	10.50 (267)	7.56 (192)	5.00 (127)	160 (73)	3" Flange	1/2"
4x4x7A	250 JM	10.50 (267)	6.69 (170)	6.69 (170)	13.04 (331)	10.50 (267)	7.56 (192)	5.00 (127)	165 (75)	3" Flange	1/2"

NOTES:

- All dimensions are in inches (mm) and may vary ±1/4(6).
- Not for construction purposes unless certified.
- N/A = Not applicable.
- Conduit box is shown in approximate location. Dimensions are not specified as they vary with each motor manufacturer.
- Suction and discharge flanges - 125# ANSI Standard flat face.
- Optionally available - Suction and discharge flanges - 250# ANSI Standard flat face.
- Dimensions DC & DE are unit's extreme dimensions and not limited to pump casing, and may vary with each motor manufacturer.

- Casing feet tapping - (4) Tapped holes matching 125# ANSI standard flanges.
- Dimension BW is clearance required for servicing.

PENTAIR AURORA® MODEL 382B CLOSE COUPLED PUMPS

7" PUMPS

Pump Size	Frame	X	DC ⁷	DE ⁷	DH	YY	VD	BW	Pump Weight Excluding Motor	Casing Feet Tapping ⁸	Drain Tap (NPSF)
4x4x7A	280 JM	10.50 (267)	7.10 (180)	7.10 (180)	13.04 (331)	10.50 (267)	7.56 (192)	5.00 (127)	170 (77)	3" Flange	1/2"
4x4x7A	320 JM	10.50 (267)	8.00 (203)	8.00 (203)	13.04 (331)	10.50 (267)	7.56 (192)	5.00 (127)	170 (77)	3" Flange	1/2"
5x5x7A	140 JM	12.00 (305)	5.84 (148)	8.33 (212)	12.38 (314)	13.50 (343)	7.50 (191)	4.88 (124)	210 (95)	4" Flange	1/2"
5x5x7A	180 JM	12.00 (305)	5.84 (148)	8.33 (212)	12.38 (314)	13.50 (343)	7.50 (191)	4.88 (124)	210 (95)	4" Flange	1/2"
5x5x7A	210 JM	12.00 (305)	5.84 (148)	8.33 (212)	12.59 (320)	13.50 (343)	7.50 (191)	4.88 (124)	210 (95)	4" Flange	1/2"
5x5x7A	250 JM	12.00 (305)	6.69 (170)	8.33 (212)	13.21 (336)	13.50 (343)	7.50 (191)	4.88 (124)	210 (95)	4" Flange	1/2"
5x5x7A	280 JM	12.00 (305)	7.10 (180)	8.33 (212)	13.21 (336)	13.50 (343)	7.50 (191)	4.88 (124)	215 (98)	4" Flange	1/2"
5x5x7A	320 JM	12.00 (305)	8.00 (203)	8.33 (212)	13.21 (336)	13.50 (343)	7.50 (191)	4.88 (124)	215 (98)	4" Flange	1/2"
5x5x7A	360 JP	12.00 (305)	9.00 (229)	9.00 (229)	16.92 (430)	13.50 (343)	7.50 (191)	4.88 (124)	225 (102)	4" Flange	1/2"
6x6x7A	140 JM	14.00 (356)	6.70 (170)	9.91 (252)	14.94 (379)	14.00 (356)	9.81 (249)	5.88 (149)	290 (132)	3" Flange	1/2"
6x6x7A	180 JM	14.00 (356)	6.70 (170)	9.91 (252)	14.94 (379)	14.00 (356)	9.81 (249)	5.88 (149)	290 (132)	3" Flange	1/2"
6x6x7A	210 JM	14.00 (356)	6.70 (170)	9.91 (252)	15.15 (385)	14.00 (356)	9.81 (249)	5.88 (149)	290 (132)	3" Flange	1/2"
6x6x7A	250 JM	14.00 (356)	6.70 (170)	9.91 (252)	15.77 (401)	14.00 (356)	9.81 (249)	5.88 (149)	295 (134)	3" Flange	1/2"
6x6x7A	280 JM	14.00 (356)	7.10 (180)	9.91 (252)	15.77 (401)	14.00 (356)	9.81 (249)	5.88 (149)	295 (134)	3" Flange	1/2"
6x6x7A	320 JM	14.00 (356)	8.00 (203)	9.91 (252)	15.77 (401)	14.00 (356)	9.81 (249)	5.88 (149)	295 (134)	3" Flange	1/2"
6x6x7A	360 JP	14.00 (356)	9.00 (229)	9.91 (252)	19.48 (495)	14.00 (356)	9.81 (249)	5.88 (149)	305 (138)	3" Flange	1/2"

NOTES:

- All dimensions are in inches(mm) and may vary ± 1/4(6).
- Not for construction purposes unless certified.
- N/A = Not applicable.
- Conduit box is shown in approximate location. Dimensions are not specified as they vary with each motor manufacturer.
- Suction and discharge flanges - 125# ANSI Standard flat face.
- Optionally available - Suction and discharge flanges - 250# ANSI Standard flat face.
- Dimensions DC & DE are unit's extreme dimensions and not limited to pump casing, and may vary with each motor manufacturer.
- Casing feet tapping - (4) Tapped holes matching 125# ANSI standard flanges.
- Dimension BW is clearance required for servicing.

PENTAIR AURORA® MODEL 382B CLOSE COUPLED PUMPS

JM AND JP MOTOR FRAMES

FRAMES		143 JM	145 JM	182 JM	184 JM	213 JM	215 JM	254 JM
AG	ODP	10.00 (254)	11.00 (279)	12.00 (305)	15.00 (381)	17.00 (432)	17.00 (432)	21.00 (533)
	TEFC	12.00 (305)	13.00 (330)	14.00 (356)	17.00 (432)	19.00 (483)	19.00 (483)	23.00 (584)
FRAMES		256 JM	284 JM	286 JM	324 JM	326 JM	364-365 JP	404-405 JP
AG	ODP	21.00 (533)	22.00 (559)	22.00 (559)	24.00 (610)	24.00 (610)	28.00 (711)	31.00 (787)
	TEFC	23.00 (584)	24.00 (610)	24.00 (610)	26.00 (660)	26.00 (660)	28.00 (711)	31.00 (787)

9.5" PUMPS

Pump Size	Frame	X	DC ⁷	DE ⁷	DH	YY	VD	BW	Pump Weight Excluding Motor	Casing Feet Tapping ⁸	Drain Tap (NPSF)
1.5x1.5x9.5	140 JM	9.50 (241)	6.00 (152)	6.06 (154)	10.01 (254)	9.50 (241)	5.63 (143)	4.00 (102)	120 (54)	1.5" Flange	1/2"
1.5x1.5x9.5	180 JM	9.50 (241)	6.00 (152)	6.06 (154)	10.01 (254)	9.50 (241)	5.63 (143)	4.00 (102)	120 (54)	1.5" Flange	1/2"
1.5x1.5x9.5	210 JM	9.50 (241)	6.00 (152)	6.06 (154)	10.22 (260)	9.50 (241)	5.63 (143)	4.00 (102)	125 (57)	1.5" Flange	1/2"
1.5x1.5x9.5	250 JM	9.50 (241)	6.69 (170)	6.69 (170)	10.88 (276)	9.50 (241)	5.63 (143)	4.00 (102)	130 (59)	1.5" Flange	1/2"
1.5x1.5x9.5	280 JM	9.50 (241)	7.10 (180)	7.10 (180)	10.88 (276)	9.50 (241)	5.63 (143)	4.00 (102)	130 (59)	1.5" Flange	1/2"
2.5x2.5x9.5	180 JM	10.75 (273)	6.00 (152)	6.62 (168)	11.54 (293)	10.75 (273)	6.81 (173)	5.00 (127)	155 (70)	3" Flange	1/2"
2.5x2.5x9.5	210 JM	10.75 (273)	6.00 (152)	6.62 (168)	11.75 (299)	10.75 (273)	6.81 (173)	5.00 (127)	160 (73)	3" Flange	1/2"
2.5x2.5x9.5	250 JM	10.75 (273)	6.69 (170)	6.69 (170)	12.41 (315)	10.75 (273)	6.81 (173)	5.00 (127)	165 (75)	3" Flange	1/2"
2.5x2.5x9.5	280 JM	10.75 (273)	7.10 (180)	7.10 (180)	12.41 (315)	10.75 (273)	6.81 (173)	5.00 (127)	165 (75)	3" Flange	1/2"
2.5x2.5x9.5	320 JM	10.75 (273)	8.00 (203)	8.00 (203)	12.41 (315)	10.75 (273)	6.81 (173)	5.00 (127)	165 (75)	3" Flange	1/2"
2.5x2.5x9.5	360 JP	10.75 (273)	9.00 (229)	9.00 (229)	16.42 (417)	10.75 (273)	6.81 (173)	5.00 (127)	175 (79)	3" Flange	1/2"
3x3x9.5	140 JM	11.50 (292)	6.11 (155)	6.81 (173)	11.76 (299)	11.50 (292)	6.88 (175)	5.50 (140)	165 (75)	3" Flange	1/2"
3x3x9.5	180 JM	11.50 (292)	6.11 (155)	6.81 (173)	11.76 (299)	11.50 (292)	6.88 (175)	5.50 (140)	165 (75)	3" Flange	1/2"
3x3x9.5	210 JM	11.50 (292)	6.11 (155)	6.81 (173)	11.97 (304)	11.50 (292)	6.88 (175)	5.50 (140)	165 (75)	3" Flange	1/2"
3x3x9.5	250 JM	11.50 (292)	6.69 (170)	6.81 (173)	12.63 (321)	11.50 (292)	6.88 (175)	5.50 (140)	170 (77)	3" Flange	1/2"
3x3x9.5	280 JM	11.50 (292)	7.10 (180)	7.10 (180)	12.63 (321)	11.50 (292)	6.88 (175)	5.50 (140)	175 (79)	3" Flange	1/2"
3x3x9.5	320 JM	11.50 (292)	8.00 (203)	8.00 (203)	12.63 (321)	11.50 (292)	6.88 (175)	5.50 (140)	175 (79)	3" Flange	1/2"
3x3x9.5	360 JP	11.50 (292)	9.00 (229)	9.00 (229)	16.64 (423)	11.50 (292)	6.88 (175)	5.50 (140)	180 (82)	3" Flange	1/2"
3x3x9.5	400 JP	11.50 (292)	10.00 (254)	10.00 (254)	16.64 (423)	11.50 (292)	6.88 (175)	5.50 (140)	180 (82)	3" Flange	1/2"

NOTES:

- All dimensions are in inches (mm) and may vary ± 1/4(6).
- Not for construction purposes unless certified.
- N/A = Not applicable.
- Conduit box is shown in approximate location. Dimensions are not specified as they vary with each motor manufacturer.
- Suction and discharge flanges - 125# ANSI Standard flat face.
- Optionally available - Suction and discharge flanges - 250# ANSI Standard flat face.
- Dimensions DC & DE are unit's extreme dimensions and not limited to pump casing, and may vary with each motor manufacturer.
- Casing feet tapping - (4) Tapped holes matching 125# ANSI standard flanges.
- Dimension BW is clearance required for servicing.

PENTAIR AURORA® MODEL 382B CLOSE COUPLED PUMPS

9.5" PUMPS

Pump Size	Frame	X	DC ⁷	DE ⁷	DH	YY	VD	BW	Pump Weight Excluding Motor	Casing Feet Tapping ⁸	Drain Tap (NPSF)
4x4x9.5	140 JM	12.50 (318)	6.58 (167)	7.70 (196)	12.82 (326)	12.50 (318)	8.19 (208)	5.50 (140)	195 (88)	3" Flange	1/2"
4x4x9.5	180 JM	12.50 (318)	6.58 (167)	7.70 (196)	12.82 (326)	12.50 (318)	8.19 (208)	5.50 (140)	195 (88)	3" Flange	1/2"
4x4x9.5	210 JM	12.50 (318)	6.58 (167)	7.70 (196)	13.03 (331)	12.50 (318)	8.19 (208)	5.50 (140)	195 (88)	3" Flange	1/2"
4x4x9.5	250 JM	12.50 (318)	6.58 (167)	7.70 (196)	13.69 (348)	12.50 (318)	8.19 (208)	5.50 (140)	200 (91)	3" Flange	1/2"
4x4x9.5	280 JM	12.50 (318)	7.10 (180)	7.70 (196)	13.69 (348)	12.50 (318)	8.19 (208)	5.50 (140)	205 (93)	3" Flange	1/2"
4x4x9.5	320 JM	12.50 (318)	8.00 (203)	8.00 (203)	13.69 (348)	12.50 (318)	8.19 (208)	5.50 (140)	205 (93)	3" Flange	1/2"
4x4x9.5	360 JP	12.50 (318)	9.00 (229)	9.00 (229)	17.70 (450)	12.50 (318)	8.19 (208)	5.50 (140)	215 (98)	3" Flange	1/2"
4x4x9.5	400 JP	12.50 (318)	10.00 (254)	10.00 (254)	17.70 (450)	12.50 (318)	8.19 (208)	5.50 (140)	215 (98)	3" Flange	1/2"
5x5x9.5	140 JM	14.50 (368)	6.79 (172)	9.52 (242)	13.60 (345)	14.50 (368)	8.98 (228)	5.50 (140)	275 (125)	4" Flange	1/2"
5x5x9.5	180 JM	14.50 (368)	6.79 (172)	9.52 (242)	13.60 (345)	14.50 (368)	8.98 (228)	5.50 (140)	275 (125)	4" Flange	1/2"
5x5x9.5	210 JM	14.50 (368)	6.79 (172)	9.52 (242)	13.81 (351)	14.50 (368)	8.98 (228)	5.50 (140)	275 (125)	4" Flange	1/2"
5x5x9.5	250 JM	14.50 (368)	6.79 (172)	9.52 (242)	14.47 (368)	14.50 (368)	8.98 (228)	5.50 (140)	280 (127)	4" Flange	1/2"
5x5x9.5	280 JM	14.50 (368)	7.10 (180)	9.52 (242)	14.47 (368)	14.50 (368)	8.98 (228)	5.50 (140)	285 (129)	4" Flange	1/2"
5x5x9.5	320 JM	14.50 (368)	8.00 (203)	9.52 (242)	14.47 (368)	14.50 (368)	8.98 (228)	5.50 (140)	285 (129)	4" Flange	1/2"
5x5x9.5	360 JP	14.50 (368)	9.00 (229)	9.52 (242)	18.48 (469)	14.50 (368)	8.98 (228)	5.50 (140)	295 (134)	4" Flange	1/2"
5x5x9.5	400 JP	14.50 (368)	10.00 (254)	10.00 (254)	18.48 (469)	14.50 (368)	8.98 (228)	5.50 (140)	295 (134)	4" Flange	1/2"
6x6x9.5A	180 JM	16.75 (425)	7.59 (193)	10.69 (272)	15.88 (403)	16.75 (425)	10.87 (276)	6.00 (152)	340 (154)	4" Flange	1/2"
6x6x9.5A	210 JM	16.75 (425)	7.59 (193)	10.69 (272)	16.09 (409)	16.75 (425)	10.87 (276)	6.00 (152)	340 (154)	4" Flange	1/2"
6x6x9.5A	250 JM	16.75 (425)	7.59 (193)	10.69 (272)	16.75 (425)	16.75 (425)	10.87 (276)	6.00 (152)	345 (156)	4" Flange	1/2"
6x6x9.5A	280 JM	16.75 (425)	7.59 (193)	10.69 (272)	16.75 (425)	16.75 (425)	10.87 (276)	6.00 (152)	350 (159)	4" Flange	1/2"
8x8x9.5A*	250 JM	18.00 (457)	8.11 (206)	11.63 (295)	16.72 (425)	18.00 (457)	10.35 (263)	7.75 (197)	395 (179)	6" Flange	1/2"
8x8x9.5A*	280 JM	18.00 (457)	8.11 (206)	11.63 (295)	16.72 (425)	18.00 (457)	10.35 (263)	7.75 (197)	400 (181)	6" Flange	1/2"
8x8x9.5A*	320 JM	18.00 (457)	8.11 (206)	11.63 (295)	16.72 (425)	18.00 (457)	10.35 (263)	7.75 (197)	400 (181)	6" Flange	1/2"

*Temporarily unavailable until further notice.

NOTES:

- All dimensions are in inches (mm) and may vary ± 1/4(6).
- Not for construction purposes unless certified.
- N/A = Not applicable.
- Conduit box is shown in approximate location. Dimensions are not specified as they vary with each motor manufacturer.
- Suction and discharge flanges - 125# ANSI Standard flat face.
- Optionally available - Suction and discharge flanges - 250# ANSI Standard flat face.
- Dimensions DC & DE are unit's extreme dimensions and not limited to pump casing, and may vary with each motor manufacturer.
- Casing feet tapping - (4) Tapped holes matching 125# ANSI standard flanges.
- BW Minimum - Minimum height needed to remove motor, and then disassemble pump.
- BW Recommended - Height needed to remove motor, motor bracket and impeller as one assembly.

PENTAIR AURORA® MODEL 382B CLOSE COUPLED PUMPS

JM AND JP MOTOR FRAMES

FRAMES		143 JM	145 JM	182 JM	184 JM	213 JM	215 JM	254 JM
AG	ODP	10.00 (254)	11.00 (279)	12.00 (305)	15.00 (381)	17.00 (432)	17.00 (432)	21.00 (533)
	TEFC	12.00 (305)	13.00 (330)	14.00 (356)	17.00 (432)	19.00 (483)	19.00 (483)	23.00 (584)
FRAMES		256 JM	284 JM	286 JM	324 JM	326 JM	364-365 JP	404-405 JP
AG	ODP	21.00 (533)	22.00 (559)	22.00 (559)	24.00 (610)	24.00 (610)	28.00 (711)	31.00 (787)
	TEFC	23.00 (584)	24.00 (610)	24.00 (610)	26.00 (660)	26.00 (660)	28.00 (711)	31.00 (787)

11" PUMPS

Pump Size	Frame	X	DC ⁷	DE ⁷	DH	YY	VD	BW	Pump Weight Excluding Motor	Casing Feet Tapping ⁸	Drain Tap (NPSF)
2x2x11	140 JM	11.00 (279)	6.94 (176)	6.94 (176)	10.46 (266)	11.00 (279)	5.88 (149)	3.75 (95)	180 (82)	2" Flange	1/2"
2x2x11	180 JM	11.00 (279)	6.94 (176)	6.94 (176)	10.46 (266)	11.00 (279)	5.88 (149)	3.75 (95)	180 (82)	2" Flange	1/2"
2x2x11	210 JM	11.00 (279)	6.94 (176)	6.94 (176)	10.68 (271)	11.00 (279)	5.88 (149)	3.75 (95)	180 (82)	2" Flange	1/2"
2x2x11	250 JM	11.00 (279)	6.94 (176)	6.94 (176)	11.68 (297)	11.00 (279)	5.88 (149)	3.75 (95)	180 (82)	2" Flange	1/2"
2x2x11	280 JM	11.00 (279)	7.10 (180)	7.10 (180)	11.68 (297)	11.00 (279)	5.88 (149)	3.75 (95)	180 (82)	2" Flange	1/2"
2x2x11	320 JM	11.00 (279)	8.00 (203)	8.00 (203)	11.68 (297)	11.00 (279)	5.88 (149)	3.75 (95)	180 (82)	2" Flange	1/2"
3x3x11A	140 JM	12.50 (318)	6.94 (176)	7.36 (187)	11.38 (289)	11.50 (292)	7.00 (178)	5.75 (146)	185 (84)	2" Flange	1/2"
3x3x11A	180 JM	12.50 (318)	6.94 (176)	7.36 (187)	11.38 (289)	11.50 (292)	7.00 (178)	5.75 (146)	185 (84)	2" Flange	1/2"
3x3x11A	210 JM	12.50 (318)	6.94 (176)	7.36 (187)	11.60 (295)	11.50 (292)	7.00 (178)	5.75 (146)	185 (84)	2" Flange	1/2"
3x3x11A	250 JM	12.50 (318)	6.94 (176)	7.36 (187)	12.47 (317)	11.50 (292)	7.00 (178)	5.75 (146)	185 (84)	2" Flange	1/2"
3x3x11A	280 JM	12.50 (318)	7.10 (180)	7.36 (187)	12.47 (317)	11.50 (292)	7.00 (178)	5.75 (146)	185 (84)	2" Flange	1/2"
3x3x11A	320 JM	12.50 (318)	8.00 (203)	8.00 (203)	12.47 (317)	11.50 (292)	7.00 (178)	5.75 (146)	185 (84)	2" Flange	1/2"
3x3x11A	360 JP	12.50 (318)	9.00 (229)	9.00 (229)	16.29 (414)	11.50 (292)	7.00 (178)	5.75 (146)	195 (88)	2" Flange	1/2"
3x3x11A	400 JP	12.50 (318)	10.00 (254)	10.00 (254)	16.29 (414)	11.50 (292)	7.00 (178)	5.75 (146)	195 (88)	2" Flange	1/2"
4x4x11	180 JM	14.00 (356)	7.26 (185)	8.45 (215)	12.38 (314)	12.50 (318)	8.00 (203)	6.25 (159)	230 (104)	4" Flange	1/2"
4x4x11	210 JM	14.00 (356)	7.26 (185)	8.45 (215)	12.60 (320)	12.50 (318)	8.00 (203)	6.25 (159)	230 (104)	4" Flange	1/2"
4x4x11	250 JM	14.00 (356)	7.26 (185)	8.45 (215)	13.47 (342)	12.50 (318)	8.00 (203)	6.25 (159)	230 (104)	4" Flange	1/2"
4x4x11	280 JM	14.00 (356)	7.26 (185)	8.45 (215)	13.47 (342)	12.50 (318)	8.00 (203)	6.25 (159)	235 (107)	4" Flange	1/2"
4x4x11	320 JM	14.00 (356)	8.00 (203)	8.45 (215)	13.47 (342)	12.50 (318)	8.00 (203)	6.25 (159)	235 (107)	4" Flange	1/2"
4x4x11	360 JP	14.00 (356)	9.00 (229)	9.00 (229)	17.29 (439)	12.50 (318)	8.00 (203)	6.25 (159)	245 (111)	4" Flange	1/2"
4x4x11	400 JP	14.00 (356)	10.00 (254)	10.00 (254)	17.29 (439)	12.50 (318)	8.00 (203)	6.25 (159)	245 (111)	4" Flange	1/2"

NOTES:

- All dimensions are in inches (mm) and may vary ± 1/4(6).
- Not for construction purposes unless certified.
- N/A = Not applicable.
- Conduit box is shown in approximate location. Dimensions are not specified as they vary with each motor manufacturer.
- Suction and discharge flanges - 125# ANSI Standard flat face.
- Optionally available - Suction and discharge flanges - 250# ANSI Standard flat face.
- Dimensions DC & DE are unit's extreme dimensions and not limited to pump casing, and may vary with each motor manufacturer.
- Casing feet tapping - (4) Tapped holes matching 125# ANSI standard flanges.
- Dimension BW is clearance required for servicing.

PENTAIR AURORA® MODEL 382B CLOSE COUPLED PUMPS

11" PUMPS

Pump Size	Frame	X	DC ⁷	DE ⁷	DH	YY	VD	BW	Pump Weight Excluding Motor	Casing Feet Tapping ⁸	Drain Tap (NPSF)
5x5x11A	140 JM	14.75 (375)	7.43 (189)	9.70 (246)	12.69 (322)	14.25 (362)	8.25 (210)	6.25 (159)	270 (122)	4" Flange	1/2"
5x5x11A	180 JM	14.75 (375)	7.43 (189)	9.70 (246)	12.69 (322)	14.25 (362)	8.25 (210)	6.25 (159)	270 (122)	4" Flange	1/2"
5x5x11A	210 JM	14.75 (375)	7.43 (189)	9.70 (246)	12.91 (328)	14.25 (362)	8.25 (210)	6.25 (159)	270 (122)	4" Flange	1/2"
5x5x11A	250 JM	14.75 (375)	7.43 (189)	9.70 (246)	13.78 (350)	14.25 (362)	8.25 (210)	6.25 (159)	270 (122)	4" Flange	1/2"
5x5x11A	280 JM	14.75 (375)	7.43 (189)	9.70 (246)	13.78 (350)	14.25 (362)	8.25 (210)	6.25 (159)	275 (125)	4" Flange	1/2"
5x5x11A	320 JM	14.75 (375)	8.00 (203)	9.70 (246)	13.78 (350)	14.25 (362)	8.25 (210)	6.25 (159)	275 (125)	4" Flange	1/2"
5x5x11A	360 JP	14.75 (375)	9.00 (229)	9.70 (246)	17.60 (447)	14.25 (362)	8.25 (210)	6.25 (159)	285 (129)	4" Flange	1/2"
5x5x11A	400 JP	14.75 (375)	10.00 (254)	10.00 (254)	17.60 (447)	14.25 (362)	8.25 (210)	6.25 (159)	285 (129)	4" Flange	1/2"
6x6x11	140 JM	16.00 (406)	8.04 (204)	11.00 (279)	14.25 (362)	17.00 (432)	9.75 (248)	7.00 (178)	330 (150)	6" Flange	1/2"
6x6x11	180 JM	16.00 (406)	8.04 (204)	11.00 (279)	14.25 (362)	17.00 (432)	9.75 (248)	7.00 (178)	330 (150)	6" Flange	1/2"
6x6x11	210 JM	16.00 (406)	8.04 (204)	11.00 (279)	14.47 (368)	17.00 (432)	9.75 (248)	7.00 (178)	330 (150)	6" Flange	1/2"
6x6x11	250 JM	16.00 (406)	8.04 (204)	11.00 (279)	15.34 (390)	17.00 (432)	9.75 (248)	7.00 (178)	330 (150)	6" Flange	1/2"
6x6x11	280 JM	16.00 (406)	8.04 (204)	11.00 (279)	15.34 (390)	17.00 (432)	9.75 (248)	7.00 (178)	335 (152)	6" Flange	1/2"
6x6x11	320 JM	16.00 (406)	8.04 (204)	11.00 (279)	15.34 (390)	17.00 (432)	9.75 (248)	7.00 (178)	335 (152)	6" Flange	1/2"
8x8x11A	210 JM	19.50 (495)	9.06 (230)	13.13 (334)	16.24 (412)	21.50 (546)	11.14 (283)	7.25 (184)	450 (204)	6" Flange	1/2"
8x8x11A	250 JM	19.50 (495)	9.06 (230)	13.13 (334)	17.11 (435)	21.50 (546)	11.14 (283)	7.25 (184)	450 (204)	6" Flange	1/2"
8x8x11A	280 JM	19.50 (495)	9.06 (230)	13.13 (334)	17.11 (435)	21.50 (546)	11.14 (283)	7.25 (184)	455 (206)	6" Flange	1/2"
8x8x11A	320 JM	19.50 (495)	9.06 (230)	13.13 (334)	17.11 (435)	21.50 (546)	11.14 (283)	7.25 (184)	455 (206)	6" Flange	1/2"
8x8x11A	360 JP	19.50 (495)	9.06 (230)	13.13 (334)	20.93 (532)	21.50 (546)	11.14 (283)	7.25 (184)	465 (211)	6" Flange	1/2"

NOTES:

- All dimensions are in inches(mm) and may vary ± 1/4(6).
- Not for construction purposes unless certified.
- N/A = Not applicable.
- Conduit box is shown in approximate location. Dimensions are not specified as they vary with each motor manufacturer.
- Suction and discharge flanges - 125# ANSI Standard flat face.
- Optionally available - Suction and discharge flanges - 250# ANSI Standard flat face.
- Dimensions DC & DE are unit's extreme dimensions and not limited to pump casing, and may vary with each motor manufacturer.
- Casing feet tapping - (4) Tapped holes matching 125# ANSI standard flanges.
- Dimension BW is clearance required for servicing.

PENTAIR AURORA® MODEL 382B CLOSE COUPLED PUMPS

JM AND JP MOTOR FRAMES

FRAMES		143 JM	145 JM	182 JM	184 JM	213 JM	215 JM	254 JM/JP
AG	ODP	10.00 (254)	11.00 (279)	12.00 (305)	15.00 (381)	17.00 (432)	17.00 (432)	21.00 (533)
	TEFC	12.00 (305)	13.00 (330)	14.00 (356)	17.00 (432)	19.00 (483)	19.00 (483)	23.00 (584)
FRAMES		256 JM/JP	284 JM/JP	286 JM/JP	324 JM/JP	326 JM/JP	364-365 JP	404-405 JP
AG	ODP	21.00 (533)	22.00 (559)	22.00 (559)	24.00 (610)	24.00 (610)	28.00 (711)	31.00 (787)
	TEFC	23.00 (584)	24.00 (610)	24.00 (610)	26.00 (660)	26.00 (660)	28.00 (711)	31.00 (787)

13.5" PUMPS

Pump Size	Frame	X	DC ⁷	DE ⁷	DH	YY	VD	BW	Pump Weight Excluding Motor	Casing Feet Tapping ⁸	Drain Tap (NPSF)
3x3x13.5	140 JM	14.25 (362)	8.52 (216)	9.26 (235)	13.69 (348)	14.25 (362)	8.25 (210)	7.50 (191)	285 (129)	4" Flange	1/2"
3x3x13.5	180 JM	14.25 (362)	8.52 (216)	9.26 (235)	13.69 (348)	14.25 (362)	8.25 (210)	7.50 (191)	285 (129)	4" Flange	1/2"
3x3x13.5	210 JM	14.25 (362)	8.52 (216)	9.26 (235)	13.91 (353)	14.25 (362)	8.25 (210)	7.50 (191)	285 (129)	4" Flange	1/2"
3x3x13.5	250 JM	14.25 (362)	8.52 (216)	9.26 (235)	13.91 (353)	14.25 (362)	8.25 (210)	7.50 (191)	280 (127)	4" Flange	1/2"
3x3x13.5	280 JM	14.25 (362)	8.52 (216)	9.26 (235)	13.91 (353)	14.25 (362)	8.25 (210)	7.50 (191)	285 (129)	4" Flange	1/2"
3x3x13.5	320 JM	14.25 (362)	8.52 (216)	9.26 (235)	13.91 (353)	14.25 (362)	8.25 (210)	7.50 (191)	285 (129)	4" Flange	1/2"
4x4x13.5	180 JM	14.50 (368)	8.72 (221)	9.66 (245)	14.44 (367)	14.50 (368)	9.06 (230)	7.00 (178)	290 (132)	4" Flange	1/2"
4x4x13.5	210 JM	14.50 (368)	8.72 (221)	9.66 (245)	14.66 (372)	14.50 (368)	9.06 (230)	7.00 (178)	290 (132)	4" Flange	1/2"
4x4x13.5	250 JM	14.50 (368)	8.72 (221)	9.66 (245)	14.66 (372)	14.50 (368)	9.06 (230)	7.00 (178)	290 (132)	4" Flange	1/2"
4x4x13.5	280 JM	14.50 (368)	8.72 (221)	9.66 (245)	14.66 (372)	14.50 (368)	9.06 (230)	7.00 (178)	295 (134)	4" Flange	1/2"
4x4x13.5	320 JM	14.50 (368)	8.72 (221)	9.66 (245)	14.66 (372)	14.50 (368)	9.06 (230)	7.00 (178)	295 (134)	4" Flange	1/2"
5x5x13.5	250 JM	16.50 (419)	8.92 (227)	10.03 (255)	14.58 (370)	16.50 (419)	9.35 (237)	6.75 (171)	345 (156)	4" Flange	1/2"
5x5x13.5	280 JM	16.50 (419)	8.92 (227)	10.03 (255)	14.58 (370)	16.50 (419)	9.35 (237)	6.75 (171)	350 (159)	4" Flange	1/2"
5x5x13.5	320 JM	16.50 (419)	8.92 (227)	10.03 (255)	14.58 (370)	16.50 (419)	9.35 (237)	6.75 (171)	350 (159)	4" Flange	1/2"
6x6x13.5	250 JM	19.25 (489)	9.53 (242)	12.63 (321)	16.10 (409)	19.75 (502)	10.38 (264)	7.50 (191)	470 (213)	6" Flange	1/2"
6x6x13.5	280 JM	19.25 (489)	9.53 (242)	12.63 (321)	16.10 (409)	19.75 (502)	10.38 (264)	7.50 (191)	475 (215)	6" Flange	1/2"
6x6x13.5	320 JM	19.25 (489)	9.53 (242)	12.63 (321)	16.10 (409)	19.75 (502)	10.38 (264)	7.50 (191)	475 (215)	6" Flange	1/2"
6x6x13.5	360 JP	19.25 (489)	9.53 (242)	12.63 (321)	19.94 (506)	19.75 (502)	10.38 (264)	7.50 (191)	500 (227)	6" Flange	1/2"
8x8x13.5A	250 JP	21.50 (546)	9.93 (252)	13.74 (349)	20.00 (508)	20.50 (521)	11.46 (291)	8.00 (203)	565 (256)	6" Flange	1/2"
8x8x13.5A	280 JP	21.50 (546)	9.93 (252)	13.74 (349)	19.97 (507)	20.50 (521)	11.46 (291)	8.00 (203)	570 (259)	6" Flange	1/2"

NOTES:

- All dimensions are in inches (mm) and may vary ± 1/4(6).
- Not for construction purposes unless certified.
- N/A = Not applicable.
- Conduit box is shown in approximate location. Dimensions are not specified as they vary with each motor manufacturer.
- Suction and discharge flanges - 125# ANSI Standard flat face.
- Optionally available - Suction and discharge flanges - 250# ANSI Standard flat face.
- Dimensions DC & DE are unit's extreme dimensions and not limited to pump casing, and may vary with each motor manufacturer.
- Casing feet tapping - (4) Tapped holes matching 125# ANSI standard flanges.
- Dimension BW is clearance required for servicing.

PENTAIR AURORA® MODEL 382B CLOSE COUPLED PUMPS

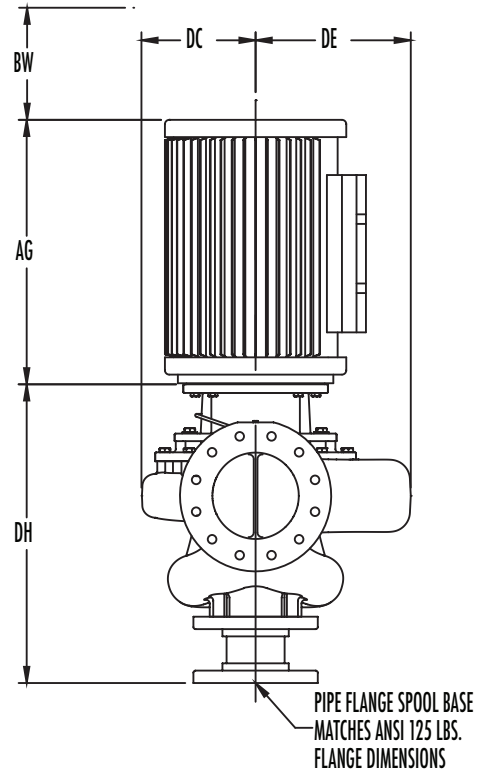
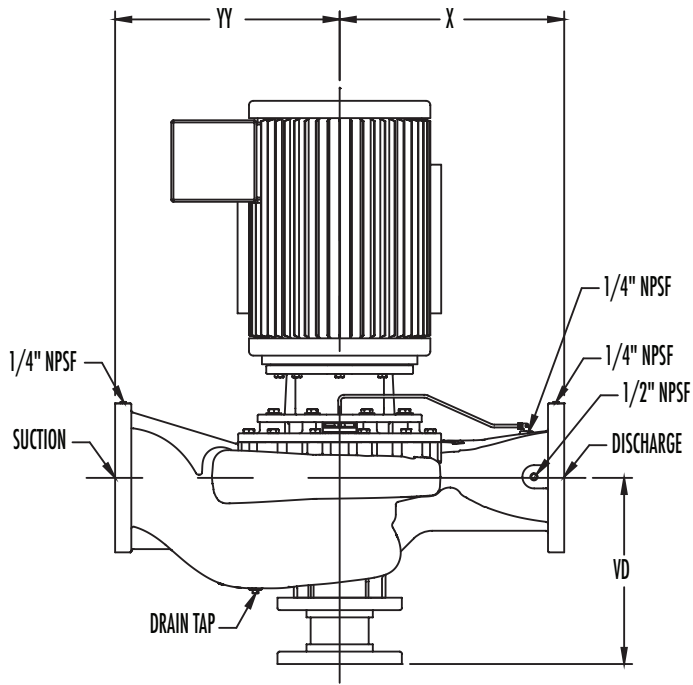
13.5" PUMPS

Pump Size	Frame	X	DC ⁷	DE ⁷	DH	YY	VD	BW	Pump Weight Excluding Motor	Casing Feet Tapping ⁸	Drain Tap (NPSF)
8x8x13.5A	320 JP	21.50 (546)	9.93 (252)	13.74 (349)	19.97 (507)	20.50 (521)	11.46 (291)	8.00 (203)	570 (259)	6" Flange	1/2"
8x8x13.5A	360 JP	21.50 (546)	9.93 (252)	13.74 (349)	20.97 (533)	20.50 (521)	11.46 (291)	8.00 (203)	570 (259)	6" Flange	1/2"
8x8x13.5A	400 JP	21.50 (546)	9.93 (252)	13.74 (349)	20.97 (533)	20.50 (521)	11.46 (291)	8.00 (203)	570 (259)	6" Flange	1/2"
10x10x13.5A	250 JP	23.00 (584)	10.52 (267)	15.67 (398)	20.75 (527)	24.50 (622)	12.38 (314)	8.00 (203)	710 (322)	6" Flange	1/2"
10x10x13.5A	280 JP	23.00 (584)	10.52 (267)	15.67 (398)	20.72 (526)	24.50 (622)	12.38 (314)	8.00 (203)	715 (324)	6" Flange	1/2"
10x10x13.5A	320 JP	23.00 (584)	10.52 (267)	15.67 (398)	20.72 (526)	24.50 (622)	12.38 (314)	8.00 (203)	715 (324)	6" Flange	1/2"
10x10x13.5A	360 JP	23.00 (584)	10.52 (267)	15.67 (398)	21.72 (552)	24.50 (622)	12.38 (314)	8.00 (203)	715 (324)	6" Flange	1/2"
10x10x13.5A	400 JP	23.00 (584)	10.52 (267)	15.67 (398)	21.72 (552)	24.50 (622)	12.38 (314)	8.00 (203)	715 (324)	6" Flange	1/2"

NOTES:

1. All dimensions are in inches(mm) and may vary ± 1/4(6).
2. Not for construction purposes unless certified.
3. N/A = Not applicable.
4. Conduit box is shown in approximate location. Dimensions are not specified as they vary with each motor manufacturer.
5. Suction and discharge flanges - 125# ANSI Standard flat face.
6. Optionally available - Suction and discharge flanges - 250# ANSI Standard flat face.
7. Dimensions DC & DE are unit's extreme dimensions and not limited to pump casing, and may vary with each motor manufacturer.
8. Casing feet tapping - (4) Tapped holes matching 125# ANSI standard flanges.
9. Dimension BW is clearance required for servicing.

PENTAIR AURORA® MODEL 382B CLOSE COUPLED PUMPS WITH OPTIONAL SPOOL BASE



PENTAIR AURORA® MODEL 382B CLOSE COUPLED PUMPS WITH OPTIONAL SPOOL BASE

JM AND JP MOTOR FRAMES

FRAMES		143 JM	145 JM	182 JM	184 JM	213 JM	215 JM	254 JM
AG	ODP	10.00 (254)	11.00 (279)	12.00 (305)	15.00 (381)	17.00 (432)	17.00 (432)	21.00 (533)
	TEFC	12.00 (305)	13.00 (330)	14.00 (356)	17.00 (432)	19.00 (483)	19.00 (483)	23.00 (584)
FRAMES		256 JM	284 JM	286 JM	324 JM	326 JM	364-365 JP	404-405 JP
AG	ODP	21.00 (533)	22.00 (559)	22.00 (559)	24.00 (610)	24.00 (610)	28.00 (711)	31.00 (787)
	TEFC	23.00 (584)	24.00 (610)	24.00 (610)	26.00 (660)	26.00 (660)	28.00 (711)	31.00 (787)

7" PUMPS

Pump Size	Frame	X	DC ⁷	DE ⁷	DH	YY	VD	BW	Pump Weight Excluding Motor	Casing Feet Tapping ⁸	Drain Tap (NPSF)
1.5x1.5x7	140 JM	7.50 (191)	4.56 (116)	4.90 (124)	12.9 (328)	7.50 (191)	8.69 (221)	3.75 (95)	102 (46)	1.5" Flange	1/2"
1.5x1.5x7	180 JM	7.50 (191)	4.78 (121)	4.90 (124)	12.9 (328)	7.50 (191)	8.69 (221)	3.75 (95)	102 (46)	1.5" Flange	1/2"
1.5x1.5x7	210 JM	7.50 (191)	5.50 (140)	5.50 (140)	13.11 (333)	7.50 (191)	8.69 (221)	3.75 (95)	102 (46)	1.5" Flange	1/2"
2x2x7A	140 JM	8.50 (216)	4.56 (116)	5.12 (130)	14.07 (357)	8.50 (216)	9.31 (237)	4.38 (111)	116 (53)	2" Flange	1/2"
2x2x7A	180 JM	8.50 (216)	4.78 (121)	4.78 (121)	14.07 (357)	8.50 (216)	9.31 (237)	4.38 (111)	116 (53)	2" Flange	1/2"
2x2x7A	210 JM	8.50 (216)	5.50 (140)	5.50 (140)	14.28 (363)	8.50 (216)	9.31 (237)	4.38 (111)	116 (53)	2" Flange	1/2"
2x2x7A	250 JM	8.50 (216)	6.69 (170)	6.69 (170)	14.9 (379)	8.50 (216)	9.31 (237)	4.38 (111)	121 (55)	2" Flange	1/2"
2.5x2.5x7A	140 JM	9.00 (229)	4.67 (119)	5.39 (137)	14.74 (374)	9.00 (229)	9.88 (251)	4.75 (121)	131 (59)	2" Flange	1/2"
2.5x2.5x7A	180 JM	9.00 (229)	4.78 (121)	5.39 (137)	14.74 (374)	9.00 (229)	9.88 (251)	4.75 (121)	131 (59)	2" Flange	1/2"
2.5x2.5x7A	210 JM	9.00 (229)	5.50 (140)	5.50 (140)	14.95 (380)	9.00 (229)	9.88 (251)	4.75 (121)	131 (59)	2" Flange	1/2"
2.5x2.5x7A	250 JM	9.00 (229)	6.69 (170)	6.69 (170)	15.57 (396)	9.00 (229)	9.88 (251)	4.75 (121)	136 (62)	2" Flange	1/2"
3x3x7	140 JM	9.50 (241)	4.99 (127)	5.77 (147)	15.65 (397)	9.50 (241)	10.86 (276)	4.75 (121)	153 (69)	2.5" Flange	1/2"
3x3x7	180 JM	9.50 (241)	4.99 (127)	5.77 (147)	15.65 (397)	9.50 (241)	10.86 (276)	4.75 (121)	153 (69)	2.5" Flange	1/2"
3x3x7	210 JM	9.50 (241)	5.50 (140)	5.77 (147)	15.86 (403)	9.50 (241)	10.86 (276)	4.75 (121)	153 (69)	2.5" Flange	1/2"
3x3x7	250 JM	9.50 (241)	6.69 (170)	6.69 (170)	16.48 (419)	9.50 (241)	10.86 (276)	4.75 (121)	158 (72)	2.5" Flange	1/2"
3x3x7	280 JM	9.50 (241)	7.10 (180)	7.10 (180)	16.48 (419)	9.50 (241)	10.86 (276)	4.75 (121)	158 (72)	2.5" Flange	1/2"
4x4x7A	140 JM	10.50 (267)	5.06 (129)	6.17 (157)	16.21 (412)	10.50 (267)	11.56 (294)	5.00 (127)	179 (81)	3" Flange	1/2"
4x4x7A	180 JM	10.50 (267)	5.06 (129)	6.17 (157)	16.21 (412)	10.50 (267)	11.56 (294)	5.00 (127)	179 (81)	3" Flange	1/2"
4x4x7A	210 JM	10.50 (267)	5.50 (140)	6.17 (157)	16.42 (417)	10.50 (267)	11.56 (294)	5.00 (127)	179 (81)	3" Flange	1/2"

NOTES:

- All dimensions are in inches (mm) and may vary ± 1/4(6).
- Not for construction purposes unless certified.
- N/A = Not applicable.
- Conduit box is shown in approximate location. Dimensions are not specified as they vary with each motor manufacturer.
- Suction and discharge flanges - 125# ANSI Standard flat face.
- Optionally available - Suction and discharge flanges - 250# ANSI Standard flat face.
- Dimensions DC & DE are unit's extreme dimensions and not limited to pump casing, and may vary with each motor manufacturer.
- Casing feet tapping - (4) Tapped holes matching 125# ANSI standard flanges.
- Dimension BW is clearance required for servicing.

PENTAIR AURORA® MODEL 382B CLOSE COUPLED PUMPS WITH OPTIONAL SPOOL BASE

7" PUMPS

Pump Size	Frame	X	DC ⁷	DE ⁷	DH	YY	VD	BW	Pump Weight Excluding Motor	Casing Feet Tapping ⁸	Drain Tap (NPSF)
4x4x7A	250 JM	10.50 (267)	6.69 (170)	6.69 (170)	17.04 (433)	10.50 (267)	11.56 (294)	5.00 (127)	184 (84)	3" Flange	1/2"
4x4x7A	280 JM	10.50 (267)	7.10 (180)	7.10 (180)	17.04 (433)	10.50 (267)	11.56 (294)	5.00 (127)	189 (86)	3" Flange	1/2"
4x4x7A	320 JM	10.50 (267)	8.00 (203)	8.00 (203)	17.04 (433)	10.50 (267)	11.56 (294)	5.00 (127)	189 (86)	3" Flange	1/2"
5x5x7A	140 JM	12.00 (305)	5.84 (148)	8.33 (212)	17.26 (438)	13.50 (343)	12.38 (314)	4.88 (124)	243 (110)	4" Flange	1/2"
5x5x7A	180 JM	12.00 (305)	5.84 (148)	8.33 (212)	17.26 (438)	13.50 (343)	12.38 (314)	4.88 (124)	243 (110)	4" Flange	1/2"
5x5x7A	210 JM	12.00 (305)	5.84 (148)	8.33 (212)	17.47 (444)	13.50 (343)	12.38 (314)	4.88 (124)	243 (110)	4" Flange	1/2"
5x5x7A	250 JM	12.00 (305)	6.69 (170)	8.33 (212)	18.09 (460)	13.50 (343)	12.38 (314)	4.88 (124)	243 (110)	4" Flange	1/2"
5x5x7A	280 JM	12.00 (305)	7.10 (180)	8.33 (212)	18.09 (460)	13.50 (343)	12.38 (314)	4.88 (124)	248 (113)	4" Flange	1/2"
5x5x7A	320 JM	12.00 (305)	8.00 (203)	8.33 (212)	18.09 (460)	13.50 (343)	12.38 (314)	4.88 (124)	248 (113)	4" Flange	1/2"
5x5x7A	360 JP	12.00 (305)	9.00 (229)	9.00 (229)	21.8 (554)	13.50 (343)	12.38 (314)	4.88 (124)	258 (117)	4" Flange	1/2"
6x6x7A	140 JM	14.00 (356)	6.70 (170)	9.91 (252)	18.94 (481)	14.00 (356)	13.81 (351)	5.88 (149)	309 (140)	3" Flange	1/2"
6x6x7A	180 JM	14.00 (356)	6.70 (170)	9.91 (252)	18.94 (481)	14.00 (356)	13.81 (351)	5.88 (149)	309 (140)	3" Flange	1/2"
6x6x7A	210 JM	14.00 (356)	6.70 (170)	9.91 (252)	19.15 (487)	14.00 (356)	13.81 (351)	5.88 (149)	309 (140)	3" Flange	1/2"
6x6x7A	250 JM	14.00 (356)	6.70 (170)	9.91 (252)	19.77 (502)	14.00 (356)	13.81 (351)	5.88 (149)	314 (143)	3" Flange	1/2"
6x6x7A	280 JM	14.00 (356)	7.10 (180)	9.91 (252)	19.77 (502)	14.00 (356)	13.81 (351)	5.88 (149)	314 (143)	3" Flange	1/2"
6x6x7A	320 JM	14.00 (356)	8.00 (203)	9.91 (252)	19.77 (502)	14.00 (356)	13.81 (351)	5.88 (149)	314 (143)	3" Flange	1/2"
6x6x7A	360 JP	14.00 (356)	9.00 (229)	9.91 (252)	23.48 (596)	14.00 (356)	13.81 (351)	5.88 (149)	324 (147)	3" Flange	1/2"

NOTES:

- All dimensions are in inches(mm) and may vary ±1/4(6).
- Not for construction purposes unless certified.
- N/A = Not applicable.
- Conduit box is shown in approximate location. Dimensions are not specified as they vary with each motor manufacturer.
- Suction and discharge flanges - 125# ANSI Standard flat face.
- Optionally available - Suction and discharge flanges - 250# ANSI Standard flat face.
- Dimensions DC & DE are unit's extreme dimensions and not limited to pump casing, and may vary with each motor manufacturer.
- Casing feet tapping - (4) Tapped holes matching 125# ANSI standard flanges.
- Dimension BW is clearance required for servicing.

PENTAIR AURORA® MODEL 382B CLOSE COUPLED PUMPS WITH OPTIONAL SPOOL BASE

JM AND JP MOTOR FRAMES

FRAMES		143 JM	145 JM	182 JM	184 JM	213 JM	215 JM	254 JM
AG	ODP	10.00 (254)	11.00 (279)	12.00 (305)	15.00 (381)	17.00 (432)	17.00 (432)	21.00 (533)
	TEFC	12.00 (305)	13.00 (330)	14.00 (356)	17.00 (432)	19.00 (483)	19.00 (483)	23.00 (584)
FRAMES		256 JM	284 JM	286 JM	324 JM	326 JM	364-365 JP	404-405 JP
AG	ODP	21.00 (533)	22.00 (559)	22.00 (559)	24.00 (610)	24.00 (610)	28.00 (711)	31.00 (787)
	TEFC	23.00 (584)	24.00 (610)	24.00 (610)	26.00 (660)	26.00 (660)	28.00 (711)	31.00 (787)

9.5" PUMPS

Pump Size	Frame	X	DC ⁷	DE ⁷	DH	YY	VD	BW	Pump Weight Excluding Motor	Casing Feet Tapping ⁸	Drain Tap (NPSF)
1.5x1.5x9.5	140 JM	9.50 (241)	6.00 (152)	6.06 (154)	13.89 (353)	9.50 (241)	9.51 (242)	4.00 (102)	127 (58)	1.5" Flange	1/2"
1.5x1.5x9.5	180 JM	9.50 (241)	6.00 (152)	6.06 (154)	13.89 (353)	9.50 (241)	9.51 (242)	4.00 (102)	127 (58)	1.5" Flange	1/2"
1.5x1.5x9.5	210 JM	9.50 (241)	6.00 (152)	6.06 (154)	14.10 (358)	9.50 (241)	9.51 (242)	4.00 (102)	132 (60)	1.5" Flange	1/2"
1.5x1.5x9.5	250 JM	9.50 (241)	6.69 (170)	6.69 (170)	14.76 (375)	9.50 (241)	9.51 (242)	4.00 (102)	137 (62)	1.5" Flange	1/2"
1.5x1.5x9.5	280 JM	9.50 (241)	7.10 (180)	7.10 (180)	14.76 (375)	9.50 (241)	9.51 (242)	4.00 (102)	137 (62)	1.5" Flange	1/2"
2.5x2.5x9.5	180 JM	10.75 (273)	6.00 (152)	6.62 (168)	15.54 (395)	10.75 (273)	10.81 (275)	5.00 (127)	174 (79)	3" Flange	1/2"
2.5x2.5x9.5	210 JM	10.75 (273)	6.00 (152)	6.62 (168)	15.75 (400)	10.75 (273)	10.81 (275)	5.00 (127)	179 (81)	3" Flange	1/2"
2.5x2.5x9.5	250 JM	10.75 (273)	6.69 (170)	6.69 (170)	16.41 (417)	10.75 (273)	10.81 (275)	5.00 (127)	184 (84)	3" Flange	1/2"
2.5x2.5x9.5	280 JM	10.75 (273)	7.10 (180)	7.10 (180)	16.41 (417)	10.75 (273)	10.81 (275)	5.00 (127)	184 (84)	3" Flange	1/2"
2.5x2.5x9.5	320 JM	10.75 (273)	8.00 (203)	8.00 (203)	16.41 (417)	10.75 (273)	10.81 (275)	5.00 (127)	184 (84)	3" Flange	1/2"
2.5x2.5x9.5	360 JP	10.75 (273)	9.00 (229)	9.00 (229)	20.42 (519)	10.75 (273)	10.81 (275)	5.00 (127)	194 (88)	3" Flange	1/2"
3x3x9.5	140 JM	11.50 (292)	6.11 (155)	6.81 (173)	15.76 (400)	11.50 (292)	10.88 (276)	5.50 (140)	184 (84)	3" Flange	1/2"
3x3x9.5	180 JM	11.50 (292)	6.11 (155)	6.81 (173)	15.76 (400)	11.50 (292)	10.88 (276)	5.50 (140)	184 (84)	3" Flange	1/2"
3x3x9.5	210 JM	11.50 (292)	6.11 (155)	6.81 (173)	15.97 (406)	11.50 (292)	10.88 (276)	5.50 (140)	184 (84)	3" Flange	1/2"
3x3x9.5	250 JM	11.50 (292)	6.69 (170)	6.81 (173)	16.63 (422)	11.50 (292)	10.88 (276)	5.50 (140)	189 (86)	3" Flange	1/2"
3x3x9.5	280 JM	11.50 (292)	7.10 (180)	7.10 (180)	16.63 (422)	11.50 (292)	10.88 (276)	5.50 (140)	194 (88)	3" Flange	1/2"
3x3x9.5	320 JM	11.50 (292)	8.00 (203)	8.00 (203)	16.63 (422)	11.50 (292)	10.88 (276)	5.50 (140)	194 (88)	3" Flange	1/2"
3x3x9.5	360 JP	11.50 (292)	9.00 (229)	9.00 (229)	20.64 (524)	11.50 (292)	10.88 (276)	5.50 (140)	199 (90)	3" Flange	1/2"
3x3x9.5	400 JP	11.50 (292)	10.00 (254)	10.00 (254)	20.64 (524)	11.50 (292)	10.88 (276)	5.50 (140)	199 (90)	3" Flange	1/2"
4x4x9.5	140 JM	12.50 (318)	6.58 (167)	7.70 (196)	16.82 (427)	12.50 (318)	12.19 (310)	5.50 (140)	214 (97)	3" Flange	1/2"
4x4x9.5	180 JM	12.50 (318)	6.58 (167)	7.70 (196)	16.82 (427)	12.50 (318)	12.19 (310)	5.50 (140)	214 (97)	3" Flange	1/2"
4x4x9.5	210 JM	12.50 (318)	6.58 (167)	7.70 (196)	17.03 (433)	12.50 (318)	12.19 (310)	5.50 (140)	214 (97)	3" Flange	1/2"

NOTES:

- All dimensions are in inches (mm) and may vary ± 1/4(6).
- Not for construction purposes unless certified.
- N/A = Not applicable.
- Conduit box is shown in approximate location. Dimensions are not specified as they vary with each motor manufacturer.
- Suction and discharge flanges - 125# ANSI Standard flat face.
- Optionally available - Suction and discharge flanges - 250# ANSI Standard flat face.
- Dimensions DC & DE are unit's extreme dimensions and not limited to pump casing, and may vary with each motor manufacturer.
- Casing feet tapping - (4) Tapped holes matching 125# ANSI standard flanges.
- Dimension BW is clearance required for servicing.

PENTAIR AURORA® MODEL 382B CLOSE COUPLED PUMPS WITH OPTIONAL SPOOL BASE

9.5" PUMPS

Pump Size	Frame	X	DC ⁷	DE ⁷	DH	YY	VD	BW	Pump Weight Excluding Motor	Casing Feet Tapping ⁸	Drain Tap (NPSF)
4x4x9.5	250 JM	12.50 (318)	6.58 (167)	7.70 (196)	17.69 (449)	12.50 (318)	12.19 (310)	5.50 (140)	219 (99)	3" Flange	1/2"
4x4x9.5	280 JM	12.50 (318)	7.10 (180)	7.70 (196)	17.69 (449)	12.50 (318)	12.19 (310)	5.50 (140)	224 (102)	3" Flange	1/2"
4x4x9.5	320 JM	12.50 (318)	8.00 (203)	8.00 (203)	17.69 (449)	12.50 (318)	12.19 (310)	5.50 (140)	224 (102)	3" Flange	1/2"
4x4x9.5	360 JP	12.50 (318)	9.00 (229)	9.00 (229)	21.70 (551)	12.50 (318)	12.19 (310)	5.50 (140)	234 (106)	3" Flange	1/2"
4x4x9.5	400 JP	12.50 (318)	10.00 (254)	10.00 (254)	21.70 (551)	12.50 (318)	12.19 (310)	5.50 (140)	234 (106)	3" Flange	1/2"
5x5x9.5	140 JM	14.50 (368)	6.79 (172)	9.52 (242)	18.48 (469)	14.50 (368)	13.86 (352)	5.50 (140)	308 (140)	4" Flange	1/2"
5x5x9.5	180 JM	14.50 (368)	6.79 (172)	9.52 (242)	18.48 (469)	14.50 (368)	13.86 (352)	5.50 (140)	308 (140)	4" Flange	1/2"
5x5x9.5	210 JM	14.50 (368)	6.79 (172)	9.52 (242)	18.69 (475)	14.50 (368)	13.86 (352)	5.50 (140)	308 (140)	4" Flange	1/2"
5x5x9.5	250 JM	14.50 (368)	6.79 (172)	9.52 (242)	19.35 (492)	14.50 (368)	13.86 (352)	5.50 (140)	313 (142)	4" Flange	1/2"
5x5x9.5	280 JM	14.50 (368)	7.10 (180)	9.52 (242)	19.35 (492)	14.50 (368)	13.86 (352)	5.50 (140)	318 (144)	4" Flange	1/2"
5x5x9.5	320 JM	14.50 (368)	8.00 (203)	9.52 (242)	19.35 (492)	14.50 (368)	13.86 (352)	5.50 (140)	318 (144)	4" Flange	1/2"
5x5x9.5	360 JP	14.50 (368)	9.00 (229)	9.52 (242)	23.36 (593)	14.50 (368)	13.86 (352)	5.50 (140)	328 (149)	4" Flange	1/2"
5x5x9.5	400 JP	14.50 (368)	10.00 (254)	10.00 (254)	23.36 (593)	14.50 (368)	13.86 (352)	5.50 (140)	328 (149)	4" Flange	1/2"
6x6x9.5A	180 JM	16.75 (425)	7.59 (193)	10.69 (272)	20.76 (527)	16.75 (425)	15.75 (400)	6.00 (152)	373 (169)	4" Flange	1/2"
6x6x9.5A	210 JM	16.75 (425)	7.59 (193)	10.69 (272)	20.97 (533)	16.75 (425)	15.75 (400)	6.00 (152)	373 (169)	4" Flange	1/2"
6x6x9.5A	250 JM	16.75 (425)	7.59 (193)	10.69 (272)	21.63 (549)	16.75 (425)	15.75 (400)	6.00 (152)	378 (171)	4" Flange	1/2"
6x6x9.5A	280 JM	16.75 (425)	7.59 (193)	10.69 (272)	21.63 (549)	16.75 (425)	15.75 (400)	6.00 (152)	383 (174)	4" Flange	1/2"
8x8x9.5A*	250 JM	18.00 (457)	8.11 (206)	11.63 (295)	22.22 (564)	18.00 (457)	15.85 (403)	7.75 (197)	442 (200)	6" Flange	1/2"
8x8x9.5A*	280 JM	18.00 (457)	8.11 (206)	11.63 (295)	22.22 (564)	18.00 (457)	15.85 (403)	7.75 (197)	447 (203)	6" Flange	1/2"
8x8x9.5A*	320 JM	18.00 (457)	8.11 (206)	11.63 (295)	22.22 (564)	18.00 (457)	15.85 (403)	7.75 (197)	447 (203)	6" Flange	1/2"

*Temporarily unavailable until further notice.

NOTES:

- All dimensions are in inches(mm) and may vary ± 1/4(6).
- Not for construction purposes unless certified.
- N/A = Not applicable.
- Conduit box is shown in approximate location. Dimensions are not specified as they vary with each motor manufacturer.
- Suction and discharge flanges - 125# ANSI Standard flat face.
- Optionally available - Suction and discharge flanges - 250# ANSI Standard flat face.
- Dimensions DC & DE are unit's extreme dimensions and not limited to pump casing, and may vary with each motor manufacturer.

- Casing feet tapping - (4) Tapped holes matching 125# ANSI standard flanges.
- Dimension BW is clearance required for servicing.

PENTAIR AURORA® MODEL 382B CLOSE COUPLED PUMPS WITH OPTIONAL SPOOL BASE

JM AND JP MOTOR FRAMES

FRAMES		143 JM	145 JM	182 JM	184 JM	213 JM	215 JM	254 JM
AG	ODP	10.00 (254)	11.00 (279)	12.00 (305)	15.00 (381)	17.00 (432)	17.00 (432)	21.00 (533)
	TEFC	12.00 (305)	13.00 (330)	14.00 (356)	17.00 (432)	19.00 (483)	19.00 (483)	23.00 (584)
FRAMES		256 JM	284 JM	286 JM	324 JM	326 JM	364-365 JP	404-405 JP
AG	ODP	21.00 (533)	22.00 (559)	22.00 (559)	24.00 (610)	24.00 (610)	28.00 (711)	31.00 (787)
	TEFC	23.00 (584)	24.00 (610)	24.00 (610)	26.00 (660)	26.00 (660)	28.00 (711)	31.00 (787)

11" PUMPS

Pump Size	Frame	X	DC ⁷	DE ⁷	DH	YY	VD	BW	Pump Weight Excluding Motor	Casing Feet Tapping ⁸	Drain Tap (NPSF)
2x2x11	140 JM	11.00 (279)	6.94 (176)	6.94 (176)	14.46 (367)	11.00 (279)	9.88 (251)	3.75 (95)	191 (87)	2" Flange	1/2"
2x2x11	180 JM	11.00 (279)	6.94 (176)	6.94 (176)	14.46 (367)	11.00 (279)	9.88 (251)	3.75 (95)	191 (87)	2" Flange	1/2"
2x2x11	210 JM	11.00 (279)	6.94 (176)	6.94 (176)	14.68 (373)	11.00 (279)	9.88 (251)	3.75 (95)	191 (87)	2" Flange	1/2"
2x2x11	250 JM	11.00 (279)	6.94 (176)	6.94 (176)	15.68 (398)	11.00 (279)	9.88 (251)	3.75 (95)	191 (87)	2" Flange	1/2"
2x2x11	280 JM	11.00 (279)	7.10 (180)	7.10 (180)	15.68 (398)	11.00 (279)	9.88 (251)	3.75 (95)	191 (87)	2" Flange	1/2"
2x2x11	320 JM	11.00 (279)	8.00 (203)	8.00 (203)	15.68 (398)	11.00 (279)	9.88 (251)	3.75 (95)	191 (87)	2" Flange	1/2"
3x3x11A	140 JM	12.50 (318)	6.94 (176)	7.36 (187)	15.38 (391)	11.50 (292)	11.00 (279)	5.75 (146)	196 (89)	2" Flange	1/2"
3x3x11A	180 JM	12.50 (318)	6.94 (176)	7.36 (187)	15.38 (391)	11.50 (292)	11.00 (279)	5.75 (146)	196 (89)	2" Flange	1/2"
3x3x11A	210 JM	12.50 (318)	6.94 (176)	7.36 (187)	15.60 (396)	11.50 (292)	11.00 (279)	5.75 (146)	196 (89)	2" Flange	1/2"
3x3x11A	250 JM	12.50 (318)	6.94 (176)	7.36 (187)	16.47 (418)	11.50 (292)	11.00 (279)	5.75 (146)	196 (89)	2" Flange	1/2"
3x3x11A	280 JM	12.50 (318)	7.10 (180)	7.36 (187)	16.47 (418)	11.50 (292)	11.00 (279)	5.75 (146)	196 (89)	2" Flange	1/2"
3x3x11A	320 JM	12.50 (318)	8.00 (203)	8.00 (203)	16.47 (418)	11.50 (292)	11.00 (279)	5.75 (146)	196 (89)	2" Flange	1/2"
3x3x11A	360 JP	12.50 (318)	9.00 (229)	9.00 (229)	20.29 (515)	11.50 (292)	11.00 (279)	5.75 (146)	206 (94)	2" Flange	1/2"
3x3x11A	400 JP	12.50 (318)	10.00 (254)	10.00 (254)	20.29 (515)	11.50 (292)	11.00 (279)	5.75 (146)	206 (94)	2" Flange	1/2"
4x4x11	180 JM	14.00 (356)	7.26 (185)	8.45 (215)	17.26 (438)	12.50 (318)	12.88 (327)	6.25 (159)	263 (119)	4" Flange	1/2"
4x4x11	210 JM	14.00 (356)	7.26 (185)	8.45 (215)	17.48 (444)	12.50 (318)	12.88 (327)	6.25 (159)	263 (119)	4" Flange	1/2"
4x4x11	250 JM	14.00 (356)	7.26 (185)	8.45 (215)	18.35 (466)	12.50 (318)	12.88 (327)	6.25 (159)	263 (119)	4" Flange	1/2"
4x4x11	280 JM	14.00 (356)	7.26 (185)	8.45 (215)	18.35 (466)	12.50 (318)	12.88 (327)	6.25 (159)	268 (122)	4" Flange	1/2"
4x4x11	320 JM	14.00 (356)	8.00 (203)	8.45 (215)	18.35 (466)	12.50 (318)	12.88 (327)	6.25 (159)	268 (122)	4" Flange	1/2"
4x4x11	360 JP	14.00 (356)	9.00 (229)	9.00 (229)	22.17 (563)	12.50 (318)	12.88 (327)	6.25 (159)	278 (126)	4" Flange	1/2"

NOTES:

- All dimensions are in inches (mm) and may vary ± 1/4(6).
- Not for construction purposes unless certified.
- N/A = Not applicable.
- Conduit box is shown in approximate location. Dimensions are not specified as they vary with each motor manufacturer.
- Suction and discharge flanges - 125# ANSI Standard flat face.
- Optionally available - Suction and discharge flanges - 250# ANSI Standard flat face.
- Dimensions DC & DE are unit's extreme dimensions and not limited to pump casing, and may vary with each motor manufacturer.
- Casing feet tapping - (4) Tapped holes matching 125# ANSI standard flanges.
- Dimension BW is clearance required for servicing.

PENTAIR AURORA® MODEL 382B CLOSE COUPLED PUMPS WITH OPTIONAL SPOOL BASE

11" PUMPS

Pump Size	Frame	X	DC ⁷	DE ⁷	DH	YY	VD	BW	Pump Weight Excluding Motor	Casing Feet Tapping ⁸	Drain Tap (NPSF)
4x4x11	400 JP	14.00 (356)	10.00 (254)	10.00 (254)	22.17 (563)	12.50 (318)	12.88 (327)	6.25 (159)	278 (126)	4" Flange	1/2"
5x5x11A	140 JM	14.75 (375)	7.43 (189)	9.70 (246)	17.57 (446)	14.25 (362)	13.13 (334)	6.25 (159)	333 (151)	4" Flange	1/2"
5x5x11A	180 JM	14.75 (375)	7.43 (189)	9.70 (246)	17.57 (446)	14.25 (362)	13.13 (334)	6.25 (159)	333 (151)	4" Flange	1/2"
5x5x11A	210 JM	14.75 (375)	7.43 (189)	9.70 (246)	17.79 (452)	14.25 (362)	13.13 (334)	6.25 (159)	333 (151)	4" Flange	1/2"
5x5x11A	250 JM	14.75 (375)	7.43 (189)	9.70 (246)	18.66 (474)	14.25 (362)	13.13 (334)	6.25 (159)	333 (151)	4" Flange	1/2"
5x5x11A	280 JM	14.75 (375)	7.43 (189)	9.70 (246)	18.66 (474)	14.25 (362)	13.13 (334)	6.25 (159)	338 (153)	4" Flange	1/2"
5x5x11A	320 JM	14.75 (375)	8.00 (203)	9.70 (246)	18.66 (474)	14.25 (362)	13.13 (334)	6.25 (159)	338 (153)	4" Flange	1/2"
5x5x11A	360 JP	14.75 (375)	9.00 (229)	9.70 (246)	22.48 (571)	14.25 (362)	13.13 (334)	6.25 (159)	348 (158)	4" Flange	1/2"
5x5x11A	400 JP	14.75 (375)	10.00 (254)	10.00 (254)	22.48 (571)	14.25 (362)	13.13 (334)	6.25 (159)	348 (158)	4" Flange	1/2"
6x6x11	140 JM	16.00 (406)	8.04 (204)	11.00 (279)	19.75 (502)	17.00 (432)	15.25 (387)	7.00 (178)	422 (191)	6" Flange	1/2"
6x6x11	180 JM	16.00 (406)	8.04 (204)	11.00 (279)	19.75 (502)	17.00 (432)	15.25 (387)	7.00 (178)	422 (191)	6" Flange	1/2"
6x6x11	210 JM	16.00 (406)	8.04 (204)	11.00 (279)	19.97 (507)	17.00 (432)	15.25 (387)	7.00 (178)	422 (191)	6" Flange	1/2"
6x6x11	250 JM	16.00 (406)	8.04 (204)	11.00 (279)	20.84 (529)	17.00 (432)	15.25 (387)	7.00 (178)	422 (191)	6" Flange	1/2"
6x6x11	280 JM	16.00 (406)	8.04 (204)	11.00 (279)	20.84 (529)	17.00 (432)	15.25 (387)	7.00 (178)	427 (194)	6" Flange	1/2"
6x6x11	320 JM	16.00 (406)	8.04 (204)	11.00 (279)	20.84 (529)	17.00 (432)	15.25 (387)	7.00 (178)	427 (194)	6" Flange	1/2"
8x8x11A	210 JM	19.50 (495)	9.06 (230)	13.13 (334)	21.74 (552)	21.50 (546)	16.64 (423)	7.25 (184)	562 (255)	6" Flange	1/2"
8x8x11A	250 JM	19.50 (495)	9.06 (230)	13.13 (334)	22.61 (574)	21.50 (546)	16.64 (423)	7.25 (184)	562 (255)	6" Flange	1/2"
8x8x11A	280 JM	19.50 (495)	9.06 (230)	13.13 (334)	22.61 (574)	21.50 (546)	16.64 (423)	7.25 (184)	567 (257)	6" Flange	1/2"
8x8x11A	320 JM	19.50 (495)	9.06 (230)	13.13 (334)	22.61 (574)	21.50 (546)	16.64 (423)	7.25 (184)	567 (257)	6" Flange	1/2"
8x8x11A	360 JP	19.50 (495)	9.06 (230)	13.13 (334)	26.43 (671)	21.50 (546)	16.64 (423)	7.25 (184)	577 (262)	6" Flange	1/2"

NOTES:

- All dimensions are in inches(mm) and may vary ± 1/4(6).
- Not for construction purposes unless certified.
- N/A = Not applicable.
- Conduit box is shown in approximate location. Dimensions are not specified as they vary with each motor manufacturer.
- Suction and discharge flanges - 125# ANSI Standard flat face.
- Optionally available - Suction and discharge flanges - 250# ANSI Standard flat face.
- Dimensions DC & DE are unit's extreme dimensions and not limited to pump casing, and may vary with each motor manufacturer.
- Casing feet tapping - (4) Tapped holes matching 125# ANSI standard flanges.
- Dimension BW is clearance required for servicing.

PENTAIR AURORA® MODEL 382B CLOSE COUPLED PUMPS WITH OPTIONAL SPOOL BASE

JM AND JP MOTOR FRAMES

FRAMES		143 JM	145 JM	182 JM	184 JM	213 JM	215 JM	254 JM/JP
AG	ODP	10.00 (254)	11.00 (279)	12.00 (305)	15.00 (381)	17.00 (432)	17.00 (432)	21.00 (533)
	TEFC	12.00 (305)	13.00 (330)	14.00 (356)	17.00 (432)	19.00 (483)	19.00 (483)	23.00 (584)
FRAMES		256 JM/JP	284 JM/JP	286 JM/JP	324 JM/JP	326 JM/JP	364-365 JP	404-405 JP
AG	ODP	21.00 (533)	22.00 (559)	22.00 (559)	24.00 (610)	24.00 (610)	28.00 (711)	31.00 (787)
	TEFC	23.00 (584)	24.00 (610)	24.00 (610)	26.00 (660)	26.00 (660)	28.00 (711)	31.00 (787)

13.5" PUMPS

Pump Size	Frame	X	DC ⁷	DE ⁷	DH	YY	VD	BW	Pump Weight Excluding Motor	Casing Feet Tapping ⁸	Drain Tap (NPSF)
3x3x13.5	140 JM	14.25 (362)	8.52 (216)	9.26 (235)	18.57 (472)	14.25 (362)	13.13 (334)	7.50 (191)	318 (144)	4" Flange	1/2"
3x3x13.5	180 JM	14.25 (362)	8.52 (216)	9.26 (235)	18.57 (472)	14.25 (362)	13.13 (334)	7.50 (191)	318 (144)	4" Flange	1/2"
3x3x13.5	210 JM	14.25 (362)	8.52 (216)	9.26 (235)	18.79 (477)	14.25 (362)	13.13 (334)	7.50 (191)	318 (144)	4" Flange	1/2"
3x3x13.5	250 JM	14.25 (362)	8.52 (216)	9.26 (235)	18.79 (477)	14.25 (362)	13.13 (334)	7.50 (191)	313 (142)	4" Flange	1/2"
3x3x13.5	280 JM	14.25 (362)	8.52 (216)	9.26 (235)	18.79 (477)	14.25 (362)	13.13 (334)	7.50 (191)	318 (144)	4" Flange	1/2"
3x3x13.5	320 JM	14.25 (362)	8.52 (216)	9.26 (235)	18.79 (477)	14.25 (362)	13.13 (334)	7.50 (191)	318 (144)	4" Flange	1/2"
4x4x13.5	180 JM	14.50 (368)	8.72 (221)	9.66 (245)	19.32 (491)	14.50 (368)	13.94 (354)	7.00 (178)	323 (147)	4" Flange	1/2"
4x4x13.5	210 JM	14.50 (368)	8.72 (221)	9.66 (245)	19.54 (496)	14.50 (368)	13.94 (354)	7.00 (178)	323 (147)	4" Flange	1/2"
4x4x13.5	250 JM	14.50 (368)	8.72 (221)	9.66 (245)	19.54 (496)	14.50 (368)	13.94 (354)	7.00 (178)	323 (147)	4" Flange	1/2"
4x4x13.5	280 JM	14.50 (368)	8.72 (221)	9.66 (245)	19.54 (496)	14.50 (368)	13.94 (354)	7.00 (178)	328 (149)	4" Flange	1/2"
4x4x13.5	320 JM	14.50 (368)	8.72 (221)	9.66 (245)	19.54 (496)	14.50 (368)	13.94 (354)	7.00 (178)	328 (149)	4" Flange	1/2"
5x5x13.5	250 JM	16.50 (419)	8.92 (227)	10.03 (255)	19.46 (494)	16.50 (419)	14.23 (361)	6.75 (171)	378 (171)	4" Flange	1/2"
5x5x13.5	280 JM	16.50 (419)	8.92 (227)	10.03 (255)	19.46 (494)	16.50 (419)	14.23 (361)	6.75 (171)	383 (174)	4" Flange	1/2"
5x5x13.5	320 JM	16.50 (419)	8.92 (227)	10.03 (255)	19.46 (494)	16.50 (419)	14.23 (361)	6.75 (171)	383 (174)	4" Flange	1/2"
6x6x13.5	250 JM	19.25 (489)	9.53 (242)	12.63 (321)	21.60 (549)	19.75 (502)	15.88 (403)	7.50 (191)	517 (234)	6" Flange	1/2"
6x6x13.5	280 JM	19.25 (489)	9.53 (242)	12.63 (321)	21.60 (549)	19.75 (502)	15.88 (403)	7.50 (191)	522 (237)	6" Flange	1/2"
6x6x13.5	320 JM	19.25 (489)	9.53 (242)	12.63 (321)	21.60 (549)	19.75 (502)	15.88 (403)	7.50 (191)	522 (237)	6" Flange	1/2"
6x6x13.5	360 JP	19.25 (489)	9.53 (242)	12.63 (321)	25.44 (646)	19.75 (502)	15.88 (403)	7.50 (191)	547 (248)	6" Flange	1/2"
8x8x13.5A	250 JP	21.50 (546)	9.93 (252)	13.74 (349)	25.50 (648)	20.50 (521)	16.96 (431)	8.00 (203)	612 (278)	6" Flange	1/2"
8x8x13.5A	280 JP	21.50 (546)	9.93 (252)	13.74 (349)	25.47 (647)	20.50 (521)	16.96 (431)	8.00 (203)	617 (280)	6" Flange	1/2"
8x8x13.5A	320 JP	21.50 (546)	9.93 (252)	13.74 (349)	25.47 (647)	20.50 (521)	16.96 (431)	8.00 (203)	617 (280)	6" Flange	1/2"

NOTES:

- All dimensions are in inches (mm) and may vary ± 1/4(6).
- Not for construction purposes unless certified.
- N/A = Not applicable.
- Conduit box is shown in approximate location. Dimensions are not specified as they vary with each motor manufacturer.
- Suction and discharge flanges - 125# ANSI Standard flat face.
- Optionally available - Suction and discharge flanges - 250# ANSI Standard flat face.
- Dimensions DC & DE are unit's extreme dimensions and not limited to pump casing, and may vary with each motor manufacturer.
- Casing feet tapping - (4) Tapped holes matching 125# ANSI standard flanges.
- Dimension BW is clearance required for servicing.

PENTAIR AURORA® MODEL 382B CLOSE COUPLED PUMPS WITH OPTIONAL SPOOL BASE

13.5" PUMPS

Pump Size	Frame	X	DC ⁷	DE ⁷	DH	YY	VD	BW	Pump Weight Excluding Motor	Casing Feet Tapping ⁸	Drain Tap (NPSF)
8x8x13.5A	360 JP	21.50 (546)	9.93 (252)	13.74 (349)	26.47 (672)	20.50 (521)	16.96 (431)	8.00 (203)	617 (280)	6" Flange	1/2"
8x8x13.5A	400 JP	21.50 (546)	9.93 (252)	13.74 (349)	26.47 (672)	20.50 (521)	16.96 (431)	8.00 (203)	617 (280)	6" Flange	1/2"
10x10x13.5A	250 JP	23.00 (584)	10.52 (267)	15.67 (398)	26.25 (667)	24.50 (622)	17.88 (454)	8.00 (203)	757 (343)	6" Flange	1/2"
10x10x13.5A	280 JP	23.00 (584)	10.52 (267)	15.67 (398)	26.22 (666)	24.50 (622)	17.88 (454)	8.00 (203)	762 (346)	6" Flange	1/2"
10x10x13.5A	320 JP	23.00 (584)	10.52 (267)	15.67 (398)	26.22 (666)	24.50 (622)	17.88 (454)	8.00 (203)	762 (346)	6" Flange	1/2"
10x10x13.5A	360 JP	23.00 (584)	10.52 (267)	15.67 (398)	27.22 (691)	24.50 (622)	17.88 (454)	8.00 (203)	762 (346)	6" Flange	1/2"
10x10x13.5A	400 JP	23.00 (584)	10.52 (267)	15.67 (398)	27.22 (691)	24.50 (622)	17.88 (454)	8.00 (203)	762 (346)	6" Flange	1/2"

NOTES:

- All dimensions are in inches (mm) and may vary $\pm 1/4(6)$.
- Not for construction purposes unless certified.
- N/A = Not applicable.
- Conduit box is shown in approximate location. Dimensions are not specified as they vary with each motor manufacturer.
- Suction and discharge flanges - 125# ANSI Standard flat face.
- Optionally available - Suction and discharge flanges - 250# ANSI Standard flat face.
- Dimensions DC & DE are unit's extreme dimensions and not limited to pump casing, and may vary with each motor manufacturer.
- Casing feet tapping - (4) Tapped holes matching 125# ANSI standard flanges.
- Dimension BW is clearance required for servicing.



800 Airport Road | North Aurora, Illinois 60542 | Ph: 630.859.7000 | pentair.com

All indicated Pentair trademarks and logos are property of Pentair. Third party registered and unregistered trademarks and logos are the property of their respective owners. Because we are continuously improving our products and services, Pentair reserves the right to change specifications without prior notice. Pentair is an equal opportunity employer.

AU-2951-DT (04-30-21) ©2021 Pentair. All Rights Reserved.