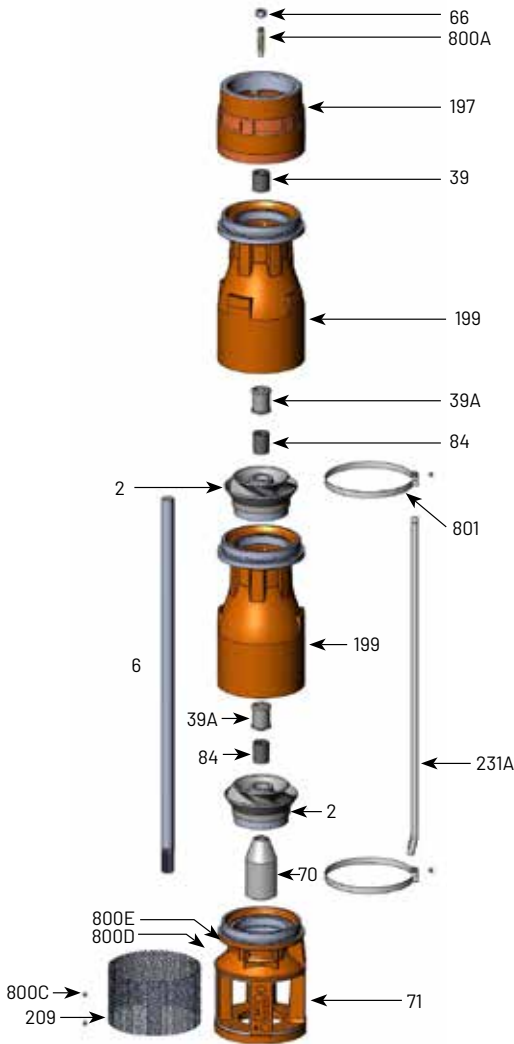


PENTAIR BERKELEY

7TMH SERIES 750 GPM, 60HZ, NPT, 8" MOTORS

Section	ST-7TMH
Page	1.0
Date	June 1, 2018
Supersedes	March 1, 2016



Item Number	Part Number	Description	Required Qty
2	See Table 3	Impeller	1 Per Stage
6	See Table 4	Shaft	1
39	M15886	Vesconite Bearing	1
39A	S13636	Neoprene Bearing	1 Per Stage
66	M15881	Upthrust Nut, 1/2-13 LH	1
70	B87061	8" Motor Coupling	1
71	M16573	7TMH 8" Motor Suction Bracket	1
84	S05301	1" Collet	1 Per Stage
197	M16387	7TMH discharge 5 x 6 NPT	1
199	B86798	7TMH-750 Bowl (incl. Neoprene Bearing)	1 Per Stage
209	M16578	Suction Screen	1
231A	M10252	Cable Guard, 8' material	1
800A	M15882	Upthrust Screw, 1/2-13 LH	1
800C	M15937	Screen Screw, 8-32 x 3/8 Panhead	2
800D	M10199	Rivet, 3/32	2
800E	M09653	Nameplate	1
801	M10102	7TMH Cable Guard Clamp	2
Not Illustrated	M09970	Tag, Upthrust Adjustment	1
Not Illustrated	B87159	Bolt Kit, 8" Motor	1
Not Illustrated	BE972	Owner's Manual	1

Note 1: B86886 includes items 39, 66, 197, 800A

Item Number	Part Number	Description	Required Qty
39A	S13636	Neoprene Bearing	1 Per Stage
	S10708	Bronze Bearing	
199	B86798	7TMH-750 Bowl (incl. Neoprene Bearing)	1 Per Stage
84	S05301	1" Collet	1 Per Stage
2	See Table 3	Impeller	1 Per Stage

Note 3: Bronze bearing may be used in place of the standard Neoprene Bearing.

Item Number	Part Number	Description	Required Qty
2	M16389	7TMH-750 "A" Impeller 5.827"	See Table 4
	M16390	7TMH-750 "B" Impeller 5.676"	
	M16391	7TMH-750 "C" Impeller 5.560"	
	M16717	7TMH-750 "D" Impeller 5.490"	

TABLE 4 – 60 Hz Staging Requirements Build Table

Series	HP/kW	Stages	Trim				416 SS shaft		Ion-nitride shaft		Shaft Length (in/mm)	Cable Guard Length ⁶	Assembled pump length (motor not included)
			"A"	"B"	"C"	"D"	Pump catalog number	416 SS Shaft p/n ⁵	Pump catalog number	Ion Nitride Shaft p/n ⁵			
7TMH40-750	40/29.8kW	3	1			2	B86906	M16635	B86906N	M16640	41.75 in/1061 mm	37.5 in/953 mm	47.25 in/1201 mm
7TMH50-750	50/37t.3kW	3	3				B86908	M16635	B86908N	M16640	41.75 in/1061 mm	37.5 in/953 mm	47.25 in/1201 mm
7TMH60-750	60/44.7kW	4	1	2	1		B86909	M16636	B86909N	M16641	53.25 in/1353 mm	49 in/1245 mm	58.75 in/1493 mm
7TMH75-750	75/55.9kW	5	2	1	2		B86910	M16637	B86910N	M16642	64.75 in/1645 mm	60.5 in/1537 mm	71.37 in/1813 mm
7TMH100-750	100/74.6kW	6	6				B86911	M16638	B86911N	M16643	76.25 in/1937 mm	72 in/1829 mm	82.87 in/2105 mm

Note 4: Effective assembled pump diameter with cable guard lying flat against pump is 7.5 inches

Note 5: 6" and 8" pumps use the same shafts.

Note 6: Cable guard M10252 sold in 8' (2.44M) lengths only