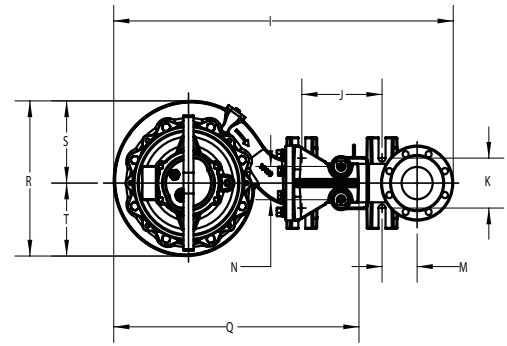
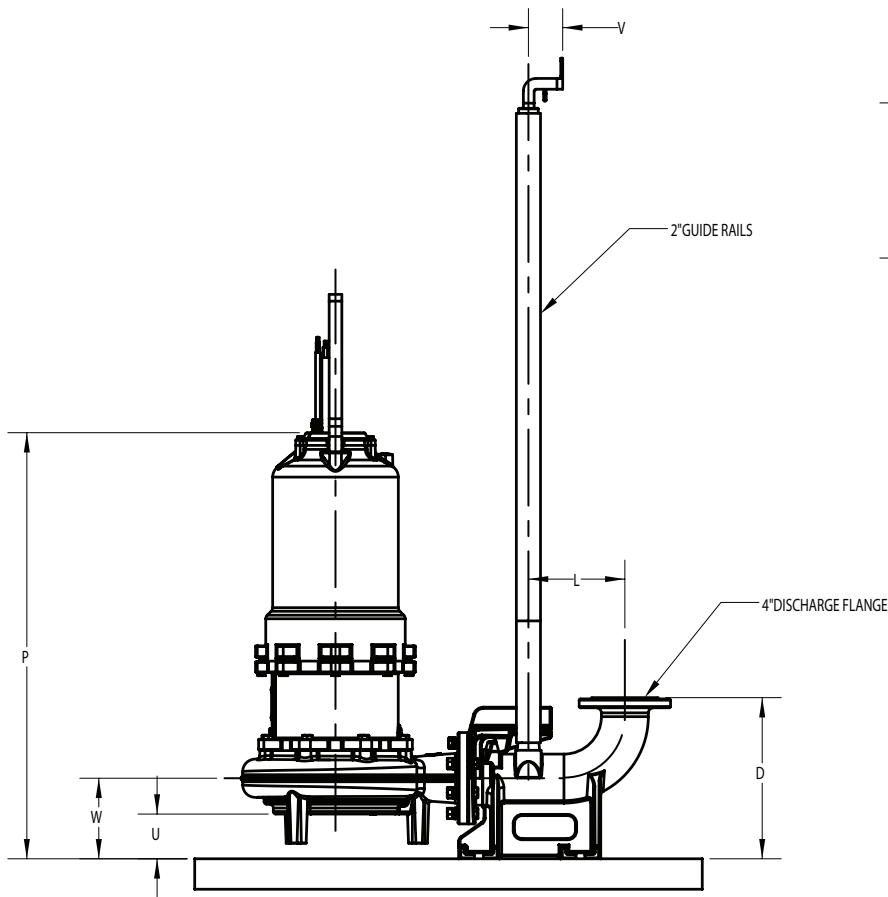


# 4" MTM(X) RAIL SYSTEM

## 4HD MODEL PUMP



ITEM	DIMENSION
D	15-7/8"
I	42-3/8"
J	10"
K	6"
L	9-1/2"
M	4-3/8"
N	4"
P	42"
Q	30-5/8"
R	18-5/8"
S	9-7/8"
T	8-3/4"
U	4-7/16"
V	3-3/8"
W	8"

All dimensions in inches.

1101 Myers Parkway  
Ashland, OH 44805  
Ph: 855.274.8948  
Fx: 800.426.9446

490 Pinebush Rd., Unit 4  
Cambridge, Ontario N1T 0A5, Canada  
Ph: 800.363.7867  
Fx: 888.606.5484

[pentair.com/myers](http://pentair.com/myers)