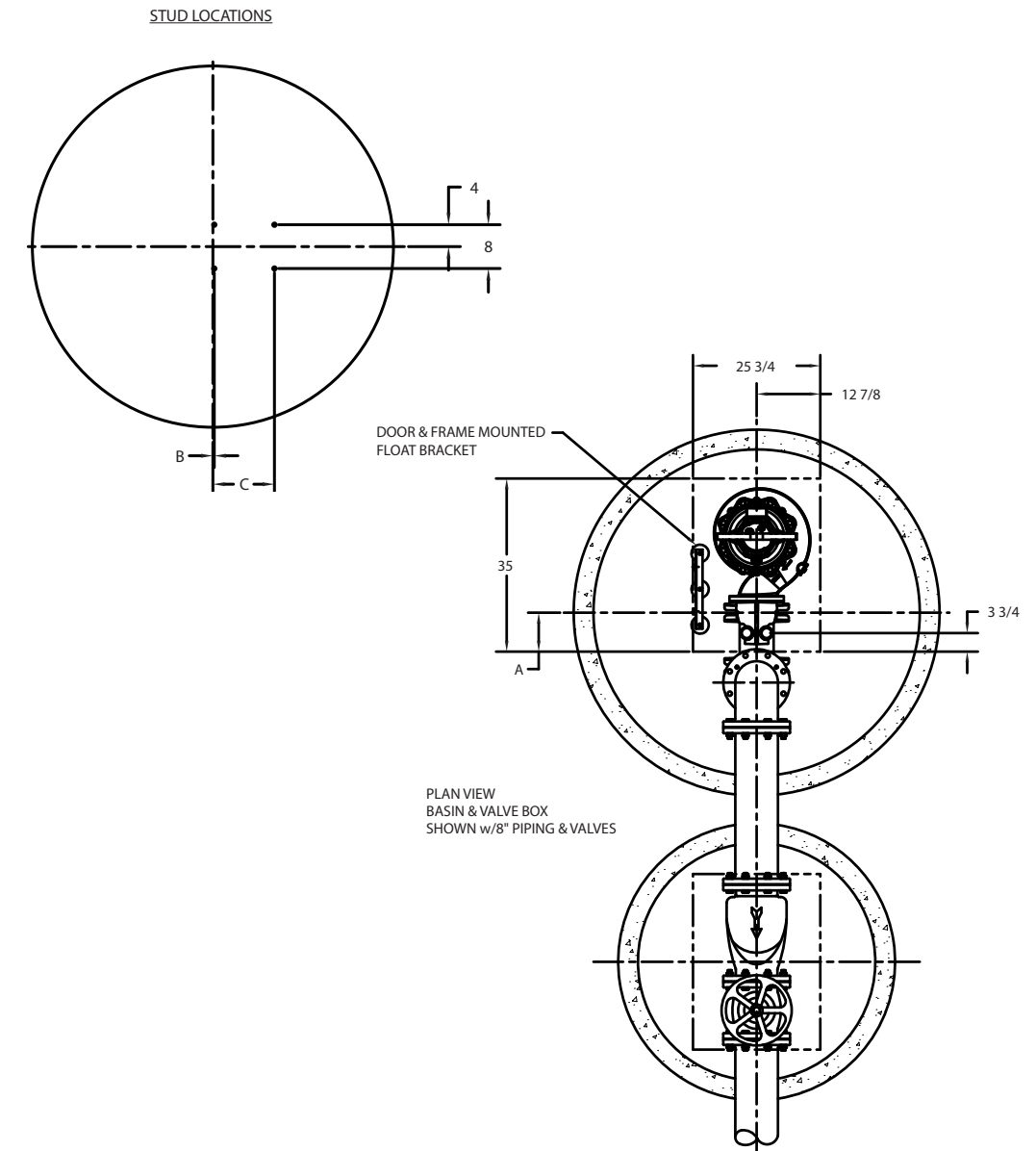
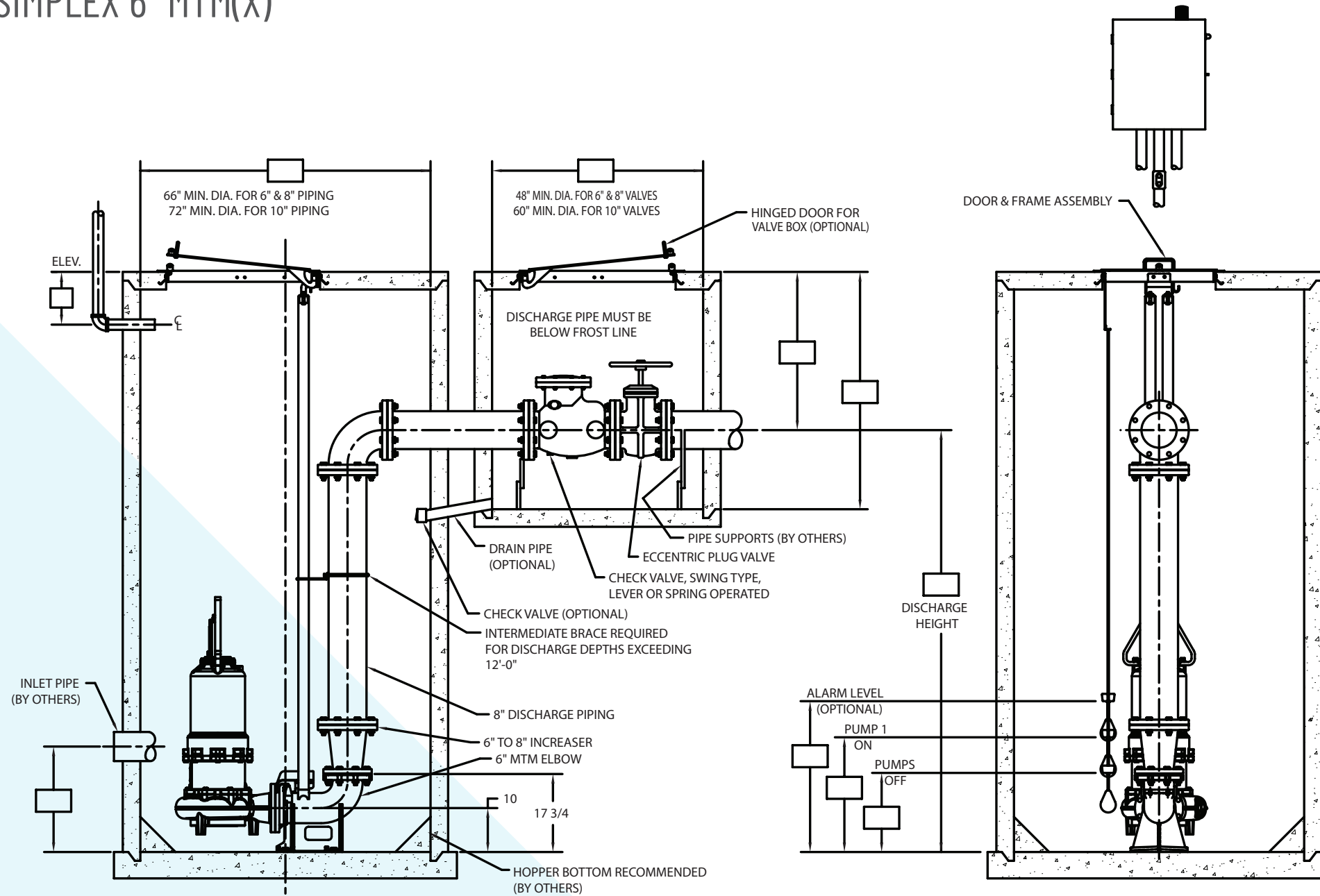


SUBMERSIBLE SOLIDS HANDLING PUMP SIMPLEX 6" MTM(X)



FOR MODELS: 6MC AND 6MD

MIN. SUMP DIA.	MIN. VALVE BOX DIA.	PIPING SIZE	A	B	C
5'-6"	4'-0"	6"	7-7/8	0"	11"
5'-6"	4'-0"	8"	7-7/8	0"	11"
6'-0"	5'-0"	10"	7-7/8	0"	11"

1101 Myers Parkway
Ashland, OH 44805
Ph: 855.274.8948
Fx: 800.426.9446

490 Pinebush Rd., Unit 4
Cambridge, Ontario N1T 0A5, Canada
Ph: 800.363.7867
Fx: 888.606.5484

pentair.com/myers