

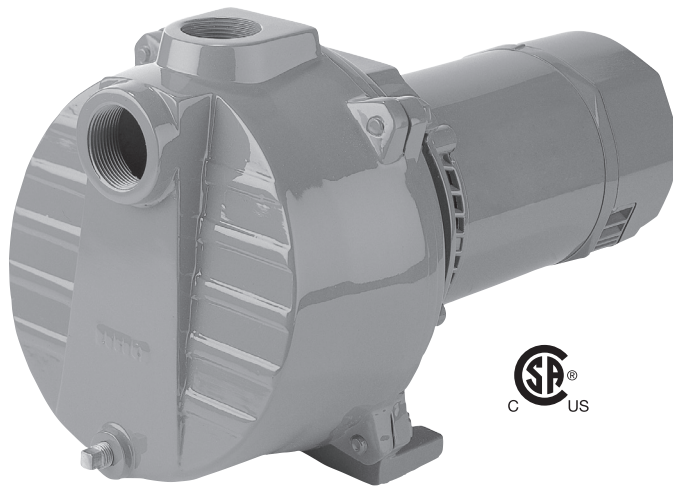
SELF-PRIMING CENTRIFUGAL PUMP

QUICK PRIME SERIES

The Quick Prime Self-Priming Centrifugal Pump is designed for demanding jobs where a lot of water is required over a long period of time such as lawn and garden sprinkling, car washing, or other big cleaning/maintenance jobs, it's built for one purpose only - continuous high performance service. Not for use with corrosive chemicals or flammable liquids.

APPLICATIONS

Lawn and gardening sprinkling, car washing, big cleaning/maintenance jobs, sump drainage, water transfer, or flood control water removal.



FEATURES

- ◆ **Ruggedly Built:** Meets the demands of long, hard continuous service without overloading the motor.
- ◆ **Manufactured** to precise performance specifications.
- ◆ **Impellers:** Corrosion resistant for long life.
- ◆ **Simply Design:** Powerful, efficient operation and easy servicing.

SPECIFICATIONS

- ◆ High tensile gray iron pump case and motor bracket
- ◆ Square rubber sealing rings
- ◆ Proven thermoset diffuser
- ◆ Engineered composite impeller
- ◆ Carbon/ceramic shaft seal

ORDERING INFORMATION

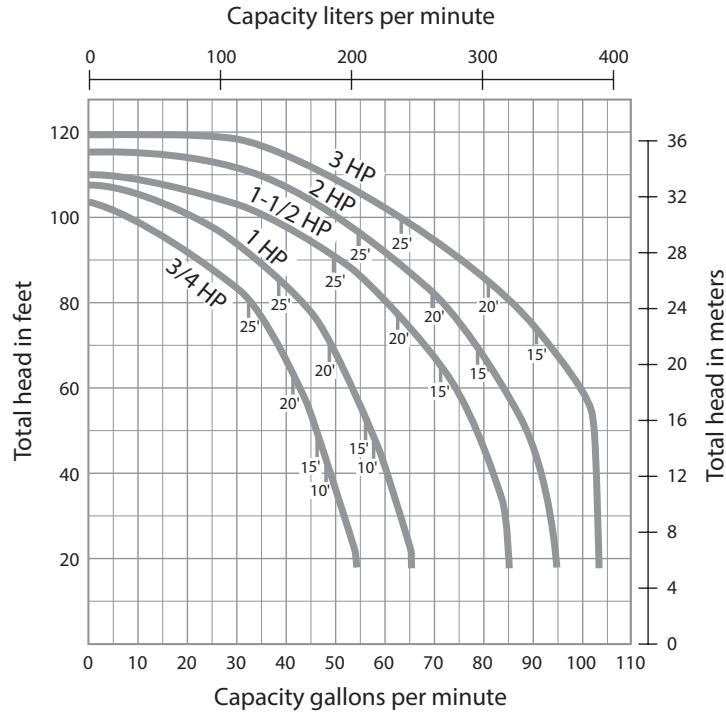
CATALOG #		HP	PIPE SIZES		MAX TOTAL SHUT-OFF HD.		1 & 3Ø APPROX. WT. LBS
1 PHASE	3 PHASE		SUCTION	DISCHARGE	FEET	PSI	
QP7	QP7-3	3/4	1-1/2"	1-1/2"	105	45.5	58
QP10	QP10-3	1	1-1/2"	1-1/2"	108	47	61
QP15	QP15-3	1-1/2	1-1/2"	1-1/2"	111	48	68
QP20	QP20-3	2	1-1/2"	1-1/2"	116	50	74
QP30	QP30-3	3	1-1/2"	1-1/2"	121	52	87

HYDROMATIC SUBMERSIBLE SOLIDS HANDLING PUMPS

PERFORMANCE DATA

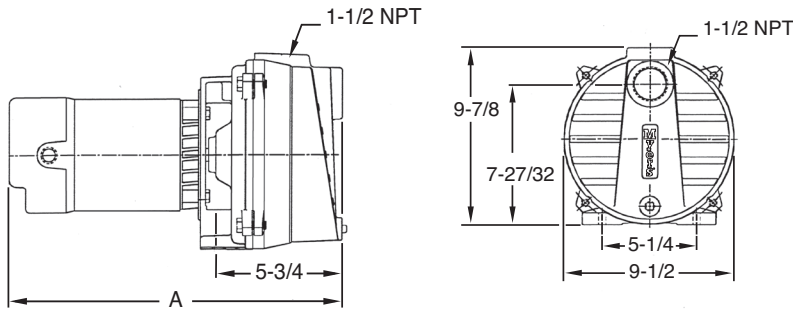
CATALOG #		HP	DISCHARGE PRESSURE PSI	GPM CAPACITY FOR DISCHARGE PRESSURE & TOTAL SUCTION LIFT INDICATED			
1 PHASE	3 PHASE			10 FT	15 FT	20 FT	25 FT
QP7	QP7-3	3/4	20	40.75	38.1	36.1	33.2
			25	35.75	33.5	30.9	27.5
			30	30.75	27.25	23.1	18
			35	21.5	15.1	8.5	
			40	6.5			
QP10	QP10-3	1	20	51.2	48.9	46.4	39.25
			25	46.2	43.5	40.6	37.4
			30	40.5	37.5	33.6	29.2
			35	33	27.6	20.6	10
			40	19	5		
QP15	QP15-3	1-1/2	20	71.6	69.4	63.4	50.25
			25	66.5	62.5	58.75	50.25
			30	59.5	55	50.5	45
			35	50.5	43.6	37	24.9
			40	36.8	25.9		
QP20	QP20-3	2	20	78.9	76.6	70.5	55.5
			25	74.6	71.5	67	55.5
			30	68.5	63.5	58.4	53
			35	58.5	52.9	47	40
			40	47.5	40.5	32.5	
QP30	QP30-3	3	20	93	91	82	64
			25	92.9	91	82	64
			30	89.8	85.5	78.6	64
			35	81	73.3	65.6	57
			40	67.9	59.1	48.5	37.5
			45	47.9	30		

PERFORMANCE DATA



DIMENSIONAL DATA

Measurements in inches for estimating purposes only.



CATALOG #	A
QP7	16.75
QP10	16.75
QP15	18.625
QP20	18.625
QP30	21.625



1101 Myers Parkway
Ashland, OH 44805
Ph: 855.274.8947
Fx: 800.426.9446

490 Pinebush Rd., Unit 4
Cambridge, Ontario N1T 0A5, Canada
Ph: 800.363.7867
Fx: 888.606.5484

pentair.com

All indicated Pentair trademarks and logos are property of Pentair. Third party registered and unregistered trademarks and logos are the property of their respective owners. Because we are continuously improving our products and services, Pentair reserves the right to change specifications without prior notice. Pentair is an equal opportunity employer.