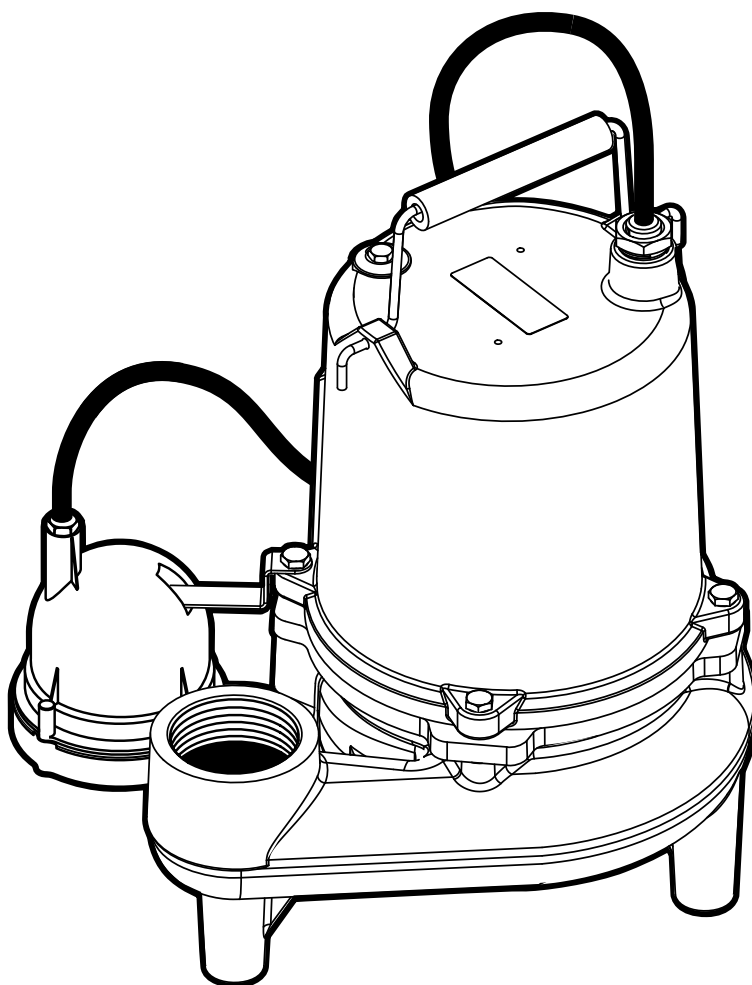




INSTALLATION AND SERVICE MANUAL
**MSP40 Submersible Sewage
Ejector Pump**

MYERS®



NOTE! TO THE INSTALLER: Please make sure you provide this manual to the owner of the pumping equipment or to the responsible party who maintains the system.

293 WRIGHT STREET, DELAVAN, WI 53115 WWW.FEMYERS.COM
PH: 888-987-8677 ORDERS FAX: 800-426-9446

490 PINEBUSH ROAD, UNIT 4, CAMBRIDGE, ONTARIO, N1T 0A5
PH: 800-363-7867 ORDERS FAX: 888-606-5484

General Information

Thank you for purchasing your Myers® pump. To help ensure years of trouble-free operation, please read the following manual carefully.

Before Operation:

Read the following instructions carefully. Reasonable care and safe methods should be practiced. Check local codes and requirements before installation.

Attention:

This manual contains important information for the safe use of this product. Read this manual completely before using this product and refer to it often for continued safe product use. **DO NOT THROW AWAY OR LOSE THIS MANUAL.** Keep it in a safe place so that you may refer to it often.

WARNING: Before handling these pumps and controls, always disconnect the power first. Do not smoke or use sparkable electrical devices or flames in a septic (gaseous) or possible septic sump.

California Proposition 65 Warning

▲ WARNING This product and related accessories contain chemicals known to the State of California to cause cancer, birth defects or other reproductive harm.

Pump Warning

To reduce risk of electrical shock:

1. Risk of Electrical Shock:

This pump has not been investigated for use in swimming pool areas.

2. Risk of Electrical Shock:

Connect only to a properly grounded receptacle.

Septic tank to be vented in accordance with local plumbing codes.

Do not smoke or use sparkable electrical devices or flame in a septic (gaseous) or possible septic sump.

If a septic sump condition exists and if entry into sump is necessary, then (1) provide proper safety precautions per OSHA requirements and (2) do not enter sump until these precautions are strictly adhered to.

Do not install pump in location classified as hazardous per N.E.C., ANSI/NFPA 70 - 2001.

Failure to heed above cautions could result in injury or death.

Pump Installation

These important instructions must be followed for satisfactory performance of your pump. Before installation, check your local electrical and plumbing codes.

1. Provide proper sump size to allow the pump to operate without restrictions. A two- to five-minute run time is recommended. Also, minimum 24" diameter recommended.
2. Make sure sump is free of string, cloth, nails, gravel, etc. before installing pump.
3. Do not set pump directly on the bottom of sump pit if it is not solid. Raise the pump by placing bricks or concrete blocks underneath it.

4. Use steel or plastic pipe for all connecting lines between pump and sewer outlet.

NOTE: Some city regulations do not allow installing a pump with plastic pipe. Check local regulations.

5. In applications where the pump may sit idle for months at a time, it is recommended that the pump(s) be cycled every month to ensure the pumping system is working properly when needed.
6. A check valve should be installed in discharge pipe, at least 12" above the discharge outlet of the pump.
7. An audible alarm system, such as the SA-1, for high water conditions should be installed in every pump for greater protection.

NOTE: Alarm is for indoor use only. Contact your Myers distributor for other panel applications.

WARNING: When using the automatic diaphragm switch the vent tube in the plug must be clear of obstructions.

Do not bend cord. This will cause a crimp in the vent tube and switch failure will occur. Pump should be plugged into a single outlet, where vent tube can "breathe." Blocking tube or bending cord will void the warranty.

8. Connect to power source using 3-prong grounded AC receptacle. Do not remove ground pin from electrical plug. Do not use an extension cord.

9. For proper automatic operation (Model MSP40A1 or MSP40A2) make sure the pump power cord is plugged into the back of the piggyback receptacle on the diaphragm switch cord.

10. Use pump partially or completely submerged for pumping (temperature to 140° F). The MSP40 will pump solid materials up to 1-1/4" (spherical) in diameter.

CAUTION: Do not pump flammable liquids, strong chemicals or salt water.



**MSP40
Typical Installation**

Pump Servicing

Servicing should be performed only by knowledgeable pump service contractors or authorized service stations.

1. *Remove pump from sump.* Before removing pump from sump pit for repair, check if the trouble could simply be a blown fuse, tripped circuit breaker, or a power cord not completely inserted into the receptacle.
2. *Check diaphragm switch.* If the unit is being operated by the automatic diaphragm switch, unplug the pump from the piggyback receptacle and plug the pump directly into the power source. If the pump starts each time it is plugged directly into the receptacle and does not start each time when plugged into the piggyback switch with the diaphragm switch pressed into a start position, replace the complete piggyback switch assembly and retest with new assembly.
3. *Check for impeller blockage.* Disconnect pump and switch from power source. Check for an obstruction in the impeller cavity by laying the pump on its side and inserting a screwdriver into impeller. Impeller should turn freely. If impeller is stuck, then turn the pump on its side, DRAIN THE OIL through the oil fill plug on top of the pump. Drain oil into a clean, dry container. A milky appearance to the oil indicates that water has entered through

either worn out or damaged seals (7) or seal ring. Remove the 4 screws (6) to remove the volute (9). If the impeller (10) does not rotate freely, clear the impeller and cavity walls before reassembling the base. Repeat Step 2.

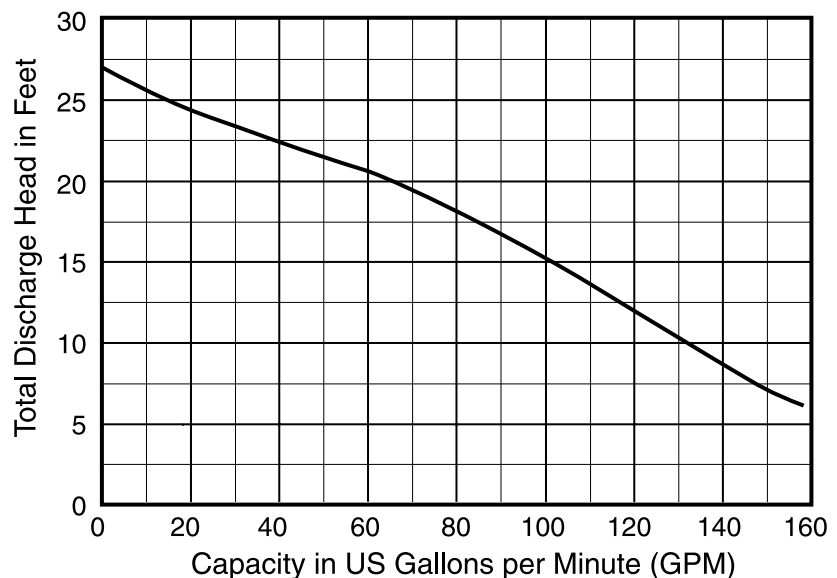
4. *Check power cord.* If the above tests have not resolved the problem, it may be in the electrical components of the pump. Starting with the power cord (2), inspect for cuts or nicks in the insulation. If the cord is damaged – replace it!
5. *Remove the motor cover.* Use a screwdriver to pry the motor cover (3) from the seal plate (8) at the fastening ears, being careful not to cut the seal ring with the screwdriver or crack the motor cover. Lift the motor cover until it clears the stator (4).
6. *Check for short.* Disconnect the stator leads from the connector. Use an ohmmeter to check the continuity of the stator. If stator fails to pass the

continuity test, it must be replaced.

Ground check. Set ohmmeter scale pointer to R X 100K scale and check meter by putting both meter leads together and adjusting the needle knob until meter reads zero. If meter cannot be adjusted to zero it will indicate that batteries in meter must be replaced.

Always make this test with the meter when scale pointer is set to a new scale before making any checks on motor.

Now connect one meter lead to one blade terminal of stator and touch other meter lead to motor stator shell (4). If needle reads below 5 (500,000 ohms) stator must be dried out before reusing. To dry out, bake in 220° oven for 4 hours. Recheck after motor cools. If motor is new or thoroughly dry, needle of ohmmeter will not move on the ground test. This indicates a reading of 50 megohms or higher. One megohm is one million ohms.



When making the ground test, if the needle goes clear to zero the motor probably has a wire touching the stator at some point and the stator will have to be replaced.

Winding resistance test. If motor shows a satisfactory ground test, then the winding resistance must be checked. Use ohmmeter with scale pointer set on R X 1 scale. On this scale meter reads directly on ohms. Always check the meter with leads together as described above under ground test before making a reading of the winding.

Connect one meter lead to each of the black terminal leads. Meter should read about 1.9 ohms. This is the resistance of the main winding for a 115 volt stator. This reading for a 230 volt stator should be about 7.7 ohms.

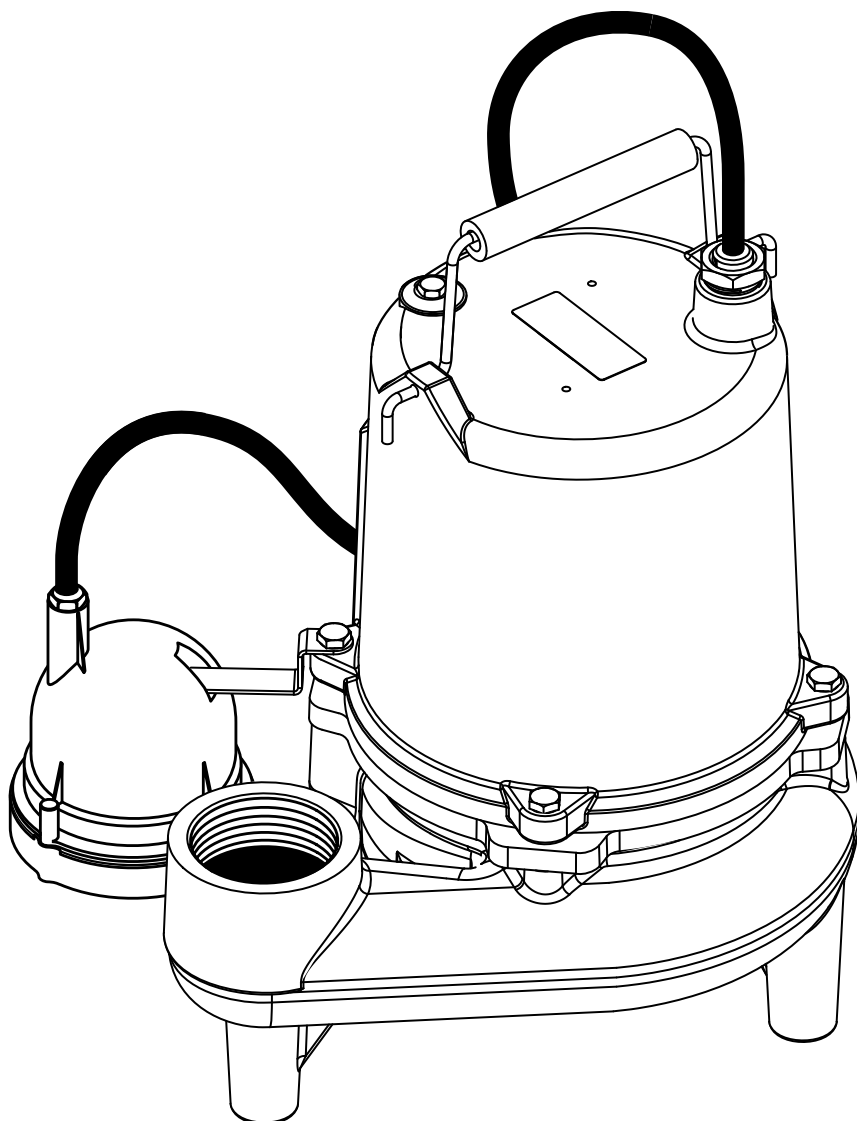
Now remove the capacitor and connect one meter lead to each of the brown wire terminals. The meter should read about 12 ohms for a 115 volt stator. For a 230 volt stator this reading should be 21.3 ohms. This is the resistance of the start winding.

7. *Remove the stator.* To remove the stator, remove the four hex head screws and disconnect the brown capacitor leads from the capacitor and remove the stator plate with the capacitor. Lift the stator off the seal plate (8) and set aside.

8. *Remove the impeller.* To remove the impeller (10), hold the motorshaft (5) with a screwdriver at the center of the impeller and tap the impeller with a plastic or rubber mallet so as to turn the impeller counterclockwise.

9. *Check the seal.* Remove the rotating portion of seal (6) from shaft by inserting a screwdriver under the edge of the seal and lifting it off. Inspect the seal face for any nicks or an uneven seating of seal face. If any are present, replace the seal.

(See Step 14.)



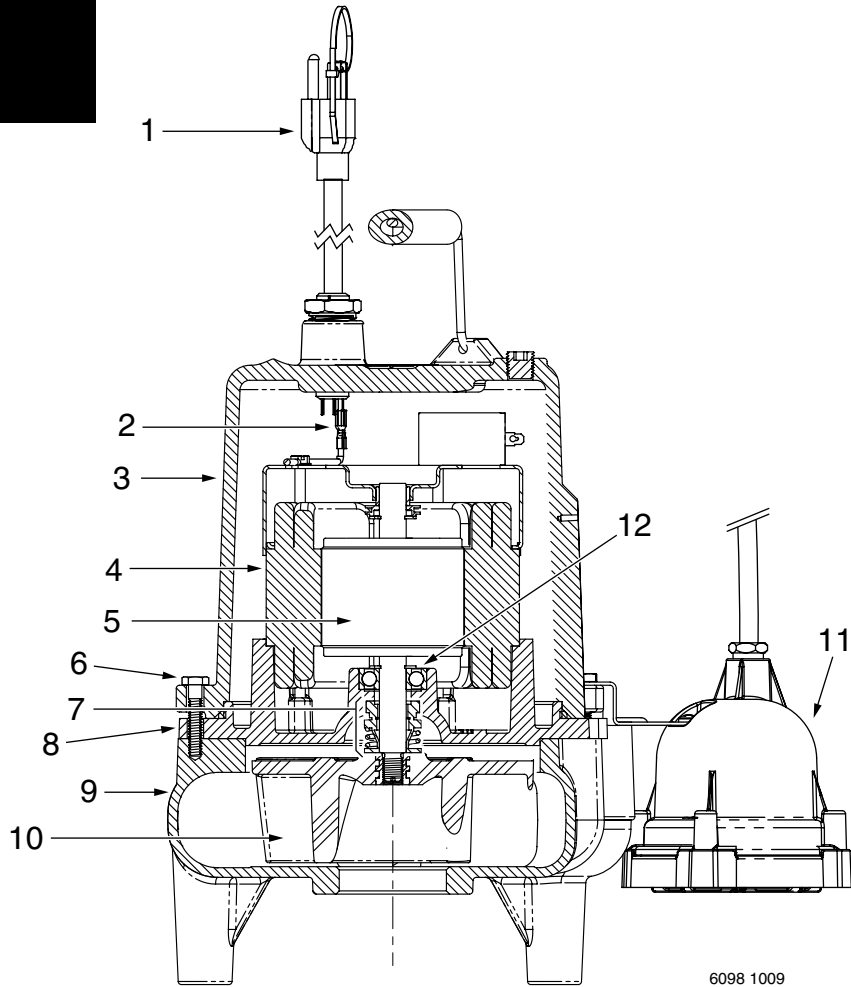
Pump Servicing

10. *Remove rotor and shaft.* Tap the rotor shaft (5) at the impeller end of the shaft with a plastic mallet to remove the rotor and shaft. Inspect the bearings. If they do not rotate freely and smoothly, they should be replaced.
11. *Remove seal.* Remove the old stationary portion of the seal (7) from the seal plate by inserting a screwdriver into the seal housing of the seal plate from the top of the case and tapping lightly with a hammer. Clean the seal area of the seal plate (8) with a clean cloth.
12. *Reinstall the rotor and shaft assembly.* Push on outer face to seat bearing in seal plate.
13. *Reinstall seal.* Apply a good lubricant to the new stationary portion of the seal (7) and press into the seal plate. Coat the new rotating portion of seal with lubricant and press into place on the rotor shaft with the rubber ring facing the impeller.
14. *Reinstall impeller.* Add a drop of Loctite 222 to the shaft and screw the impeller on hand tight. The impeller will force the rotating portion of seal into position.
15. *Replace seal ring.* Remove the old square seal ring from the seal plate and stretch on a new ring coated with O-ring lube.
Do not roll the ring onto the seal plate or improper seating and water leakage into the motor housing will result.
16. *Reinstall the stator.* Place the stator (4) in the seal plate (8) so the stator bolt holes line up. Lay the stator plate on the stator (4) and line up with stator bolt holes. Put in the stator bolts and tighten evenly to prevent cocking of the stator. Connect the capacitor to the capacitor leads. Push the connectors of the two black stator leads onto the power cord spade terminals.
17. *Reassemble pump.* Replace the motor cover (3) on the seal plate (8). Place the assembly on the volute (9). Insert the four cap screws (6) through the motor housing ears, into the tapped holes in the volute. Tighten them evenly to prevent cocking the motor housing and causing an uneven seal on the seal ring.
18. *Oil.* Fill the motor cap with high grade transformer oil just covering over stator end cap (.45 gallon).
Do not fill the motor housing completely – allow airspace for oil expansion. Make sure the stator and capacitor are fully immersed. You will have to peer through the oil plug hole to be sure of the correct oil level.
19. *Reinstall oil pipe plug.* Coat pipe threads with thread sealant before installing. Plug into housing (3).
20. *Check pump.* Plug the power cord into a grounded outlet and start pump by applying pressure to the switch diaphragm (automatic only – manual should start when power is applied). Motor should run smoothly, be free of vibration and stop when pressure is removed from diaphragm switch.
21. *Check for air lock.* Myers pumps have a small air vent hole in the impeller cavity to let out trapped air. If this hole becomes plugged, pump may air lock. To break the air lock, use a small screwdriver to clear hole in the impeller cavity.

As a secondary precaution in installations of this type – 1/16" hole should be drilled in the discharge pipe below the check valve. The check valve should be 12 to 18 inches above pump discharge. Do not put check valve directly into pump discharge opening.

NOTE: In sumps where the pump is operating daily, air locking rarely occurs.

MSP40 Parts List



6098 1009

MODEL – MSP40

| Ref. No. | Part No. | Description | Qty. |
|----------|-------------|--|------|
| 1 | 146230101 | 115V 10' Power Cord | 1 |
| 1 | 146230201 | 115V 20' Power Cord | 1 |
| 1 | 146232201 | 230V 20' Power Cord | 1 |
| 2 | 60000711 | Ground Wire | 1 |
| 3 | PS18-1646 | Motor Housing | 1 |
| 4 | PS118-1608 | Stator 230V | 1 |
| 4 | PS118-1606 | Stator 115V | 1 |
| 5 | 27479A001 | Rotor | 1 |
| 6 | * | 1/4 – 20 x 1" SS Hex Capscrew | 4 |
| 7 | U9-474REP | Seal Kit (Incl. Motor Cover O-Ring, Mechanical Shaft Seal, and Cord Ring Seal) | 1 |
| 8 | PS3-1190 | Seal Plate | 1 |
| 9 | PS1-301 | Volute | 1 |
| 10 | PS5-274P | Impeller | 1 |
| 11 | 149740085 | 115V Diaphragm Switch 10' | 1 |
| 11 | 149740095 | 115V Diaphragm Switch 20' | 1 |
| 11 | 149740105 | 230V Diaphragm Switch 20' | 1 |
| 12 | 000650241 | Ball bearing – 1/2 Open Face | 1 |
| • | U30-1023REP | Hardware Kit (Incl. Handle, Pipe Plug, Stator Bolts, Motor Cover/Seal Plate Bolts, Diaphragm Switch Bracket, Bracket Screw, and Cord Nut) | 1 |

• Not illustrated

* Standard hardware item – purchase locally.

LIMITED WARRANTY

Myers® warrants to the original consumer purchaser ("Purchaser" or "You") of the products listed below, that they will be free from defects in material and workmanship for the Warranty Period shown below.

| Product | Warranty Period whichever occurs first: |
|---|---|
| Jet pumps, small centrifugal pumps, submersible pumps and related accessories | 12 months from date of original installation, or 18 months from date of manufacture |
| Fibrewound Tanks | 5 years from date of original installation |
| Steel Pressure Tanks | 5 years from date of original installation |
| Sump/Sewage/Effluent Products | 12 months from date of original installation, or 36 months from date of manufacture |
| Battery Backup Units | |
| MBSP-2, MBSP-2C | 12 months from date of original installation, or 18 months from date of manufacture |
| MBSP-3, MBSP-3C | 24 months from date of original installation, or 30 months from date of manufacture |
| Wastewater Solids Handling Pumps | 12 months from date of shipment from factory or 18 months from date of manufacture |

Our warranty applies only where such products are used in compliance with the requirements of the applicable product catalog and/or manuals. For additional information, please refer to the applicable standard limited warranty featured in the product manual.

Our warranty will not apply to any product that, in our sole judgement, has been subject to negligence, misapplication, improper installation, or improper maintenance. Without limiting the foregoing, operating a three phase motor with single phase power through a phase converter will void the warranty. Note also that three phase motors must be protected by three-leg, ambient compensated, extra-quick trip overload relays of the recommended size or the warranty is void.

Your only remedy, and MYERS's only duty, is that MYERS repair or replace defective products (at MYERS's choice). You must pay all labor and shipping charges associated with this warranty and must request warranty service through the installing dealer as soon as a problem is discovered. No request for service will be accepted if received after the Warranty Period has expired. This warranty is not transferable.

MYERS SHALL NOT BE LIABLE FOR ANY CONSEQUENTIAL, INCIDENTAL, OR CONTINGENT DAMAGES WHATSOEVER.

THE FOREGOING LIMITED WARRANTIES ARE EXCLUSIVE AND IN LIEU OF ALL OTHER EXPRESS AND IMPLIED WARRANTIES, INCLUDING BUT NOT LIMITED TO IMPLIED WARRANTIES OF MERCHANTABILITY AND FITNESS FOR A PARTICULAR PURPOSE. THE FOREGOING LIMITED WARRANTIES SHALL NOT EXTEND BEYOND THE DURATION PROVIDED HEREIN.

Some states do not allow the exclusion or limitation of incidental or consequential damages or limitations on the duration of an implied warranty, so the above limitations or exclusions may not apply to You. This warranty gives You specific legal rights and You may also have other rights which vary from state to state.

This Limited Warranty is effective April 1, 2014 and replaces all undated warranties and warranties dated before April 1, 2014.

MYERS

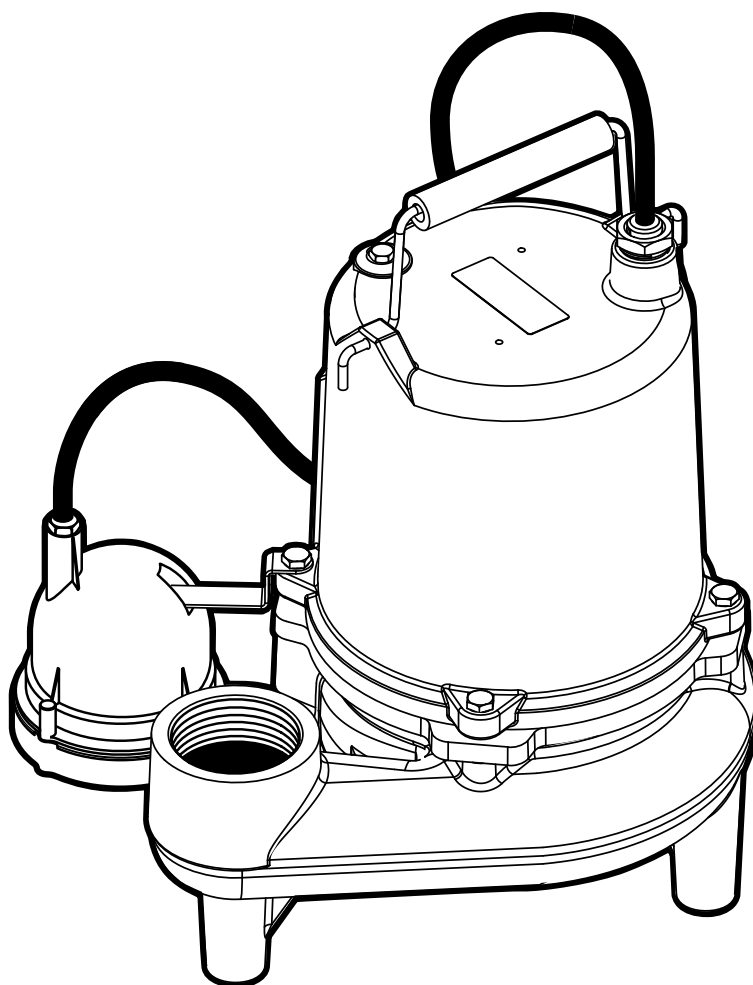
293 Wright Street, Delavan, WI 53115

Phone: 888-987-8677 • Fax: 800-426-9446 • www.femyers.com

In Canada: 490 Pinebush Road, Unit 4, Cambridge, Ontario N1T 0A5

Phone: 800-363-7867 Fax: 888-606-5484

**MSP40 Pompe submersible
à éjecteur pour eaux d'égout**

MYERS®

REMARQUE! Pour l'installateur : Ne pas oublier de remettre ce manuel au propriétaire de l'équipement de pompage ou à la personne responsable de l'entretien du système.

Informations générales

Merci d'avoir acheté une pompe Myers®. Pour aider à assurer des années de fonctionnement sans problème, lire attentivement le manuel suivant.

Avant utilisation :

Lire attentivement les instructions suivantes. Utiliser des méthodes d'entretien raisonnables et sûres. Vérifier les exigences et codes locaux avant l'installation.

Attention :

Le présent manuel contient des informations importantes pour une utilisation sûre de ce produit. Lire complètement ce manuel avant d'utiliser ce produit et le consulter souvent. **NE PAS JETER NI PERDRE LE PRÉSENT MANUEL.** Le conserver dans un endroit sûr pour pouvoir le consulter souvent.

AVERTISSEMENT : Avant de manipuler ces pompes et commandes, toujours commencer par débrancher l'alimentation électrique. Ne pas fumer ni utiliser d'appareils électriques produisant des étincelles ou des flammes dans une fosse septique (présence de gaz).

Avertissement lié à la Proposition 65 de la Californie

▲ AVERTISSEMENT Ce produit et les accessoires connexes contiennent des produits chimiques reconnus dans l'État de la Californie comme pouvant provoquer des cancers, des anomalies congénitales ou d'autres dangers relatifs à la reproduction.

Avertissement relatif à la pompe

Pour réduire les risques de chocs électriques :

1. Risque de chocs électriques :

Cette pompe n'a pas été conçue pour être utilisée près d'une piscine.

2. Risque de chocs électriques :

Brancher seulement dans une prise correctement reliée à la terre.

La fosse septique doit être reliée à l'air libre conformément aux codes de plomberie locaux.

Ne pas fumer ni utiliser d'appareils électriques produisant des étincelles ou des flammes dans une fosse septique (présence de gaz).

Si les conditions sont celles d'une fosse septique et s'il est nécessaire d'entrer dans le puisard, il faut (1) prévoir des précautions de sécurité conformes aux exigences de l'OSHA et (2) ne pas pénétrer dans le puisard sans que ces précautions soient absolument respectées.

Ne pas installer la pompe dans des endroits classés comme dangereux selon N.E.C., ANSI/NFPA70 - 2001.

Tout non-respect des précautions ci-dessus pourrait entraîner des blessures ou la mort.

Installation de la pompe

Il est nécessaire de suivre ces instructions importantes pour que la pompe fonctionne de façon satisfaisante. Avant l'installation, vérifier les codes de l'électricité et de la plomberie locaux.

1. Prévoir un puisard de taille suffisante. Un temps de fonctionnement de deux à cinq minutes est recommandé. On recommande également un diamètre minimum de 24 pouces.
2. Vérifier que le puisard ne contient pas de ficelle, vêtements, clous, graviers, etc. avant l'installation de la pompe.
3. Ne pas poser la pompe directement sur le fond du puisard s'il n'est pas compact. Soulever la pompe en plaçant dessous des briques ou des blocs de béton.

4. Utiliser du tuyau en acier ou en plastique pour toutes les conduites reliant la pompe à l'égout.

REMARQUE : Certains règlements municipaux n'autorisent pas l'installation d'une pompe avec un tuyau en plastique. Vérifier la réglementation locale.

5. Dans les applications pour lesquelles la pompe peut rester sans fonctionner pendant plusieurs mois, il est recommandé de faire fonctionner la pompe chaque mois pour s'assurer que le système de pompage fonctionnera correctement en cas de besoin.
6. Un clapet antiretour doit être installé dans le tuyau de refoulement, au moins 12 po au-dessus de l'orifice de refoulement de la pompe.
7. Un signal d'alarme sonore, comme le SA-1 pour inondation, devrait être installé avec chaque pompe pour une meilleure protection.

REMARQUE : L'alarme ne peut être utilisée qu'à l'intérieur. Contacter le distributeur Myers pour d'autres applications.

AVERTISSEMENT : En cas d'utilisation de l'interrupteur à diaphragme automatique, le tube d'aération dans la fiche ne doit pas être obstrué.

Ne pas plier le cordon. Cela obstruera le tube de ventilation et causera une panne de l'interrupteur.

La pompe doit être branchée dans une prise seule, où le tuyau d'aération peut « respirer ». Le fait de boucher le tube ou de plier le cordon annulera la garantie.

8. Brancher la fiche d'alimentation sur une prise C.A. à trois conducteurs reliée à la terre. Ne pas retirer la broche de terre de la fiche électrique. Ne pas utiliser de rallonge électrique.

9. Pour un fonctionnement automatique correct (modèle MSP40A1 ou MSP40A2), vérifier que le cordon d'alimentation est branché à l'arrière de la prise superposable sur le cordon de l'interrupteur à diaphragme.

10. Utiliser la pompe partiellement ou complètement immergée pour le pompage (température jusqu'à 140°F). La pompe MSP40 pompera les matériaux solides (sphériques) d'un diamètre pouvant atteindre 1 1/4 po.

ATTENTION : Ne pas pomper de liquides inflammables, de produits chimiques forts ni d'eau salée.



MSP40
Installation type

Entretien de la pompe

L'entretien doit être exécuté uniquement par des entreprises d'entretien des pompes compétentes ou les stations d'entretien autorisées.

1. *Retrait de la pompe du puisard.* Avant de retirer la pompe du puisard pour la réparer, vérifier si le problème ne vient pas simplement d'un fusible grillé, d'un disjoncteur déclenché ou d'un cordon d'alimentation mal branché.
2. *Vérification de l'interrupteur à diaphragme.* Si l'unité est actionnée par l'interrupteur à diaphragme automatique, débrancher la pompe de la prise superposable et la brancher directement à la source d'alimentation. Si la pompe démarre chaque fois qu'elle est branchée directement à la prise et ne démarre pas quand elle est branchée dans l'interrupteur superposable et que l'on appuie sur l'interrupteur à diaphragme en position de démarrage, remplacer l'ensemble complet d'interrupteur à diaphragme et tester de nouveau l'ensemble neuf.
3. *Vérification du blocage de l'impulseur.* Débrancher la pompe et l'interrupteur de la source d'alimentation. Vérifier si la cavité de l'impulseur est bouchée en couchant la pompe sur le côté et en insérant un tournevis dans l'impulseur. L'impulseur devrait tourner librement. Si l'impulseur est bloqué, tourner la pompe sur le côté, VIDANGER L'HUILE par le bouchon de remplissage d'huile sur le dessus de la pompe. Vidanger l'huile dans un récipient propre et sec. Si l'huile est laiteuse, cela indique que de l'eau est entrée par des joints usés ou endommagés (7) ou par la bague d'étanchéité.

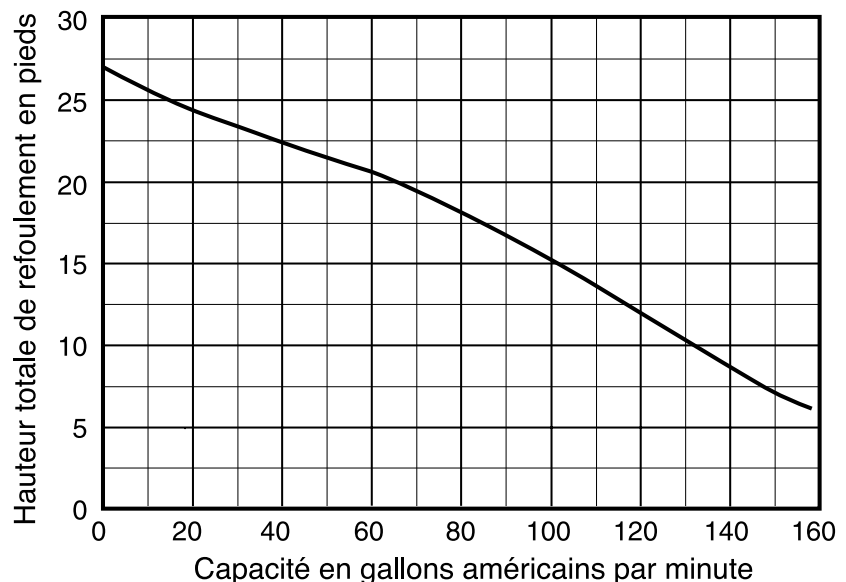
Retirer les 4 vis (6) pour déposer la volute (9). Si l'impulseur (10) ne tourne pas librement, nettoyer l'impulseur et les parois de la cavité avant de remonter la base. Répéter l'étape 2.

4. *Vérification du cordon d'alimentation.* Si les tests précédents n'ont pas résolu le problème peut se trouver dans les composants électriques de la pompe. En commençant par le cordon d'alimentation (2), vérifier la présence de coupures ou entailles dans l'isolant. Si le cordon est endommagé, il doit être remplacé!
5. *Retrait du couvercle du moteur.* Utiliser un tournevis pour décoller le couvercle du moteur (3) de la plaque d'étanchéité (8) aux pattes de fixation, en faisant attention à ne pas couper la bague d'étanchéité avec le tournevis et ne pas fissurer le couvercle du moteur. Soulever le couvercle du moteur jusqu'à ce qu'il passe au-dessus du stator (4).
6. *Vérification des court-circuits.* Débrancher les fils de stator du connecteur. Utiliser un ohmmètre pour vérifier la continuité du stator. En cas d'échec du stator au test de continuité, il doit être remplacé.

Vérification de la mise à la terre. Régler le pointeur d'échelle de l'ohmmètre sur l'échelle RX 100K et vérifier l'appareil en faisant toucher les deux fils et en ajustant le bouton jusqu'à ce que l'aiguille indique zéro. Si l'ohmmètre ne peut pas être réglé à zéro, cela indique que les piles de l'appareil doivent être remplacées.

Effectuer toujours ce test avec l'ohmmètre lorsque le pointeur est réglé sur une nouvelle échelle avant toute vérification sur le moteur.

Brancher maintenant un fil de l'ohmmètre à une borne à lame du stator et toucher l'enveloppe du stator avec l'autre fil de l'ohmmètre (4). Si l'aiguille indique une valeur inférieure à 5 (500 000 ohms), il faut faire sécher le stator avant de le réutiliser. Pour le faire sécher, le placer dans un four à 220° pendant 4 heures. Faire une nouvelle vérification après que le moteur ait refroidi. Si le moteur est neuf ou bien sec, l'aiguille de l'ohmmètre ne se déplacera pas lors de l'essai de mise à la terre. Cela indique une mesure de 50 mégohms ou plus. Un mégohm est égal à un million d'ohms.



Pendant l'essai de mise à la terre, si l'aiguille dépasse le zéro, il est probable qu'un fil du moteur touche le stator à un endroit quelconque et que le stator doit être remplacé.

Essai de résistance du bobinage. Si l'essai de mise à la terre du moteur est satisfaisant, on doit mesurer la résistance du bobinage. Utiliser un ohmmètre avec le pointeur d'échelle réglé sur l'échelle R X 1. Sur cette échelle, l'appareil affiche directement des ohms. Vérifier toujours l'ohmmètre en mettant les fils en contact comme décrit ci-dessus dans l'essai de mise à la terre avant de mesurer le bobinage.

Brancher un fil de l'ohmmètre à chacun des fils noirs. L'ohmmètre doit indiquer environ 1,9 ohm. Ceci représente la résistance du bobinage principal d'un stator de 115 volts. Pour un stator de 230 volts, cette mesure devrait être d'environ 7,7 ohms.

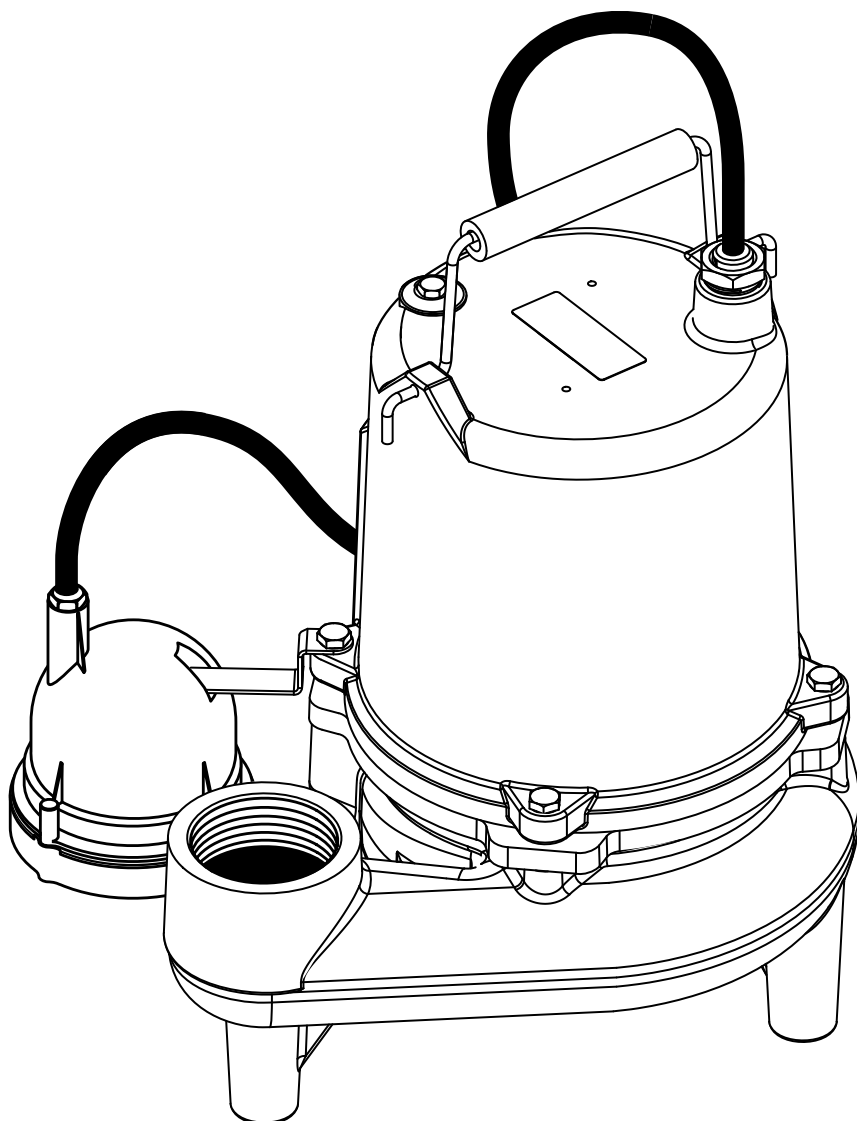
Déposer ensuite le condensateur et brancher un fil de l'ohmmètre aux bornes des fils bruns. L'ohmmètre devrait indiquer environ 12 ohms pour un stator de 115 volts. Pour un stator de 230 volts, cette mesure devrait être d'environ 21,3 ohms. Ceci est la résistance du bobinage de démarrage.

7. *Retrait du stator.* Pour retirer le stator, enlever les quatre vis à tête HEX et débrancher les fils bruns du condensateur et retirer la plaque de stator avec le condensateur. Soulever le stator de la plaque d'étanchéité (8) et le mettre de côté.

8. *Retrait de l'impulseur.* Pour retirer l'impulseur (10), maintenir l'arbre du moteur (5) avec un tournevis au centre de l'impulseur et taper sur l'impulseur avec un maillet en plastique ou en caoutchouc pour la faire tourner dans le sens antihoraire.

9. *Vérification du joint.* Retirer la partie rotative du joint (6) de l'arbre en insérant un tournevis sous le bord du joint et en le soulevant. Vérifier si la face du joint comporte des entailles ou des traces d'une assise inégale. Si c'est le cas, remplacer le joint.

(Voir l'étape 14.)



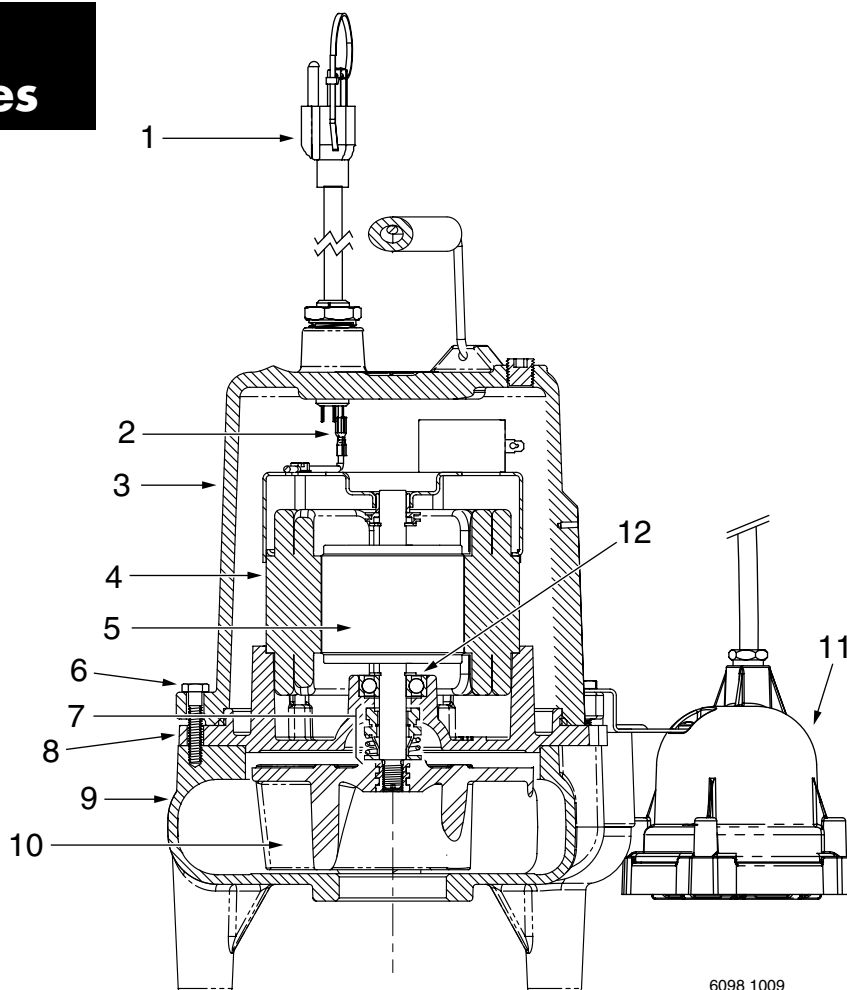
Entretien de la pompe

10. *Retrait du rotor et de l'arbre.*
Taper sur l'arbre du rotor (5) du côté rotor de l'arbre avec un maillet en plastique afin de retirer le rotor avec son arbre. Inspecter les roulements. S'ils ne tournent pas librement et en douceur, ils doivent être remplacés.
11. *Retrait du joint.* Retirer la partie fixe de l'ancien joint (7) de la plaque d'étanchéité en insérant un tournevis dans le carter de joint de la plaque d'étanchéité depuis le dessus du boîtier en tapant légèrement avec un marteau. Nettoyer la surface d'étanchéité de la plaque (8) avec un chiffon propre.
12. *Remontage du rotor et de l'arbre.*
Appuyer sur la face extérieure pour enfoncer le roulement dans la plaque d'étanchéité.
13. *Remontage du joint.* Appliquer un bon lubrifiant sur la partie fixe du joint neuf (7) et l'enfoncer dans la plaque d'étanchéité. Enduire de lubrifiant la partie rotative du joint neuf et l'enfoncer en place sur l'arbre du rotor avec la bague en caoutchouc face à l'impulseur.
14. *Remontage de l'impulseur.*
Ajouter une goutte de Locktite 222 sur l'arbre et serrer l'impulseur à la main. L'impulseur forcera la partie rotative du joint en position.
15. *Remplacement de la bague d'étanchéité.* Retirer l'ancienne anneau d'étanchéité carrée de la plaque d'étanchéité et ajuster une nouvelle bague enduite de lubrifiant pour joint torique.
Ne pas faire rouler la bague sur la plaque d'étanchéité sinon l'appui ne sera pas correct et de l'eau risque de pénétrer dans le carter du moteur.
16. *Remontage du stator.* Placer le stator (4) dans la plaque d'étanchéité (8) de façon à ce que les trous des boulons du stator soient alignés. Placer la plaque de stator sur le stator (4) et l'aligner avec les trous des boulons du stator. Mettre en place les boulons du stator et les serrer uniformément pour éviter une déformation du stator. Brancher les fils du condensateur. Enfoncer les connecteurs des deux fils noirs du stator sur les bornes à lame du cordon d'alimentation.
17. *Remontage de la pompe.* Remettre en place le couvercle du moteur (3) sur la plaque d'étanchéité (8). Placer l'ensemble sur la volute (9). Insérer les quatre vis d'assemblage (6) à travers les pattes du carter du moteur et dans les trous filetés dans la volute. Les serrer de façon uniforme pour éviter de déformer le carter du moteur et de causer un joint inégal sur la bague d'étanchéité.
18. *Huile.* Remplir le capuchon du moteur avec de l'huile pour transformateur de haute qualité en couvrant juste le capuchon d'extrémité du stator (0,45 gallon).
Ne pas remplir complètement le carter du moteur – laisser de la place pour l'expansion de l'huile. Vérifier que le stator et le condensateur soient totalement immergés. Il est nécessaire de regarder par le trou du bouchon d'huile pour vérifier si le niveau d'huile est correct.
19. *Remettre en place le bouchon du tuyau d'huile.* Enduire les filets du tuyau avec du produit d'étanchéité pour filets avant le remontage. Le mettre dans le carter (3).
20. *Vérification de la pompe.*
Brancher le cordon d'alimentation dans une prise reliée à la terre et démarrer la pompe en appuyant sur le diaphragme de l'interrupteur (modèle automatique seulement – le modèle manuel devrait démarrer une fois branché). Le moteur devrait tourner en douceur, sans vibrations et s'arrêter quand aucune pression n'est appliquée sur l'interrupteur à diaphragme.
21. *Vérification du blocage par l'air.* Les pompes hydrauliques ont un petit trou d'aération dans la cavité de l'impulseur pour laisser sortir l'air enfermé. Si le trou se bouche, la pompe peut être bloquée par l'air. Pour résoudre ce problème, utiliser un petit tournevis pour déboucher le trou dans la cavité de l'impulseur.

Comme précaution supplémentaire dans les installations de ce type, un trou de 1/16 po pourrait être percé dans le tuyau de refoulement sous le clapet antiretour. Le clapet antiretour devrait être situé entre 12 et 18 pouces au-dessus du refoulement de la pompe. Ne pas placer le clapet antiretour directement dans l'ouverture de refoulement de la pompe.

REMARQUE : Dans les puisards où la pompe fonctionne quotidiennement, il se produit rarement un blocage par l'air.

MSP40 – Liste des pièces



6098 1009

MODÈLE – MSP40

| N° ref | N° de pièce | Description | Qté. |
|--------|-------------|--|------|
| 1 | 146230101 | Cordon d'alimentation 115 V 10 po | 1 |
| 1 | 146230201 | Cordon d'alimentation 115 V 20 po | 1 |
| 1 | 146232201 | Cordon d'alimentation 230 V 20 po | 1 |
| 2 | 60000711 | Fil de mise à la terre | 1 |
| 3 | PS18-1646 | Carter du moteur | 1 |
| 4 | PS118-1608 | Stator 230 V | 1 |
| 4 | PS118-1606 | Stator 115 V | 1 |
| 5 | 27479A001 | Rotor | 1 |
| 6 | * | Vis d'assemblage 1/4 - 20 x 1 po inox | 4 |
| 7 | U9-474REP | Trousse de joints (compr. joint torique du couvercle du moteur, joint d'arbre mécanique et bague d'étanchéité du cordon) | 1 |
| 8 | PS3-1190 | Plaque d'étanchéité | 1 |
| 9 | PS1-301 | Volute | 1 |
| 10 | PS5-274P | Impulseur | 1 |
| 11 | 149740085 | Interrupteur à diaphragme 115 V 10 po | 1 |
| 11 | 149740095 | Interrupteur à diaphragme 115 V 20 po | 1 |
| 11 | 149740105 | Interrupteur à diaphragme 230 V 20 po | 1 |
| 12 | 000650241 | Roulement à billes – Face 1/2 ouverte | 1 |
| • | U30-1023REP | Trousse de quincaillerie (Compr. poignée, bouchon de tuyau, boulons de stator, boulon de couvercle du moteur/plaque d'étanchéité, support d'interrupteur à diaphragme, vis de support et écrou de cordon) | 1 |

• Non illustré

* Article de quincaillerie standard – à acheter localement.

Garantie limitée :

Myers® garantit à l'acheteur initial (« l'acheteur » ou « vous ») des produits figurant ci-dessous qu'ils seront exempts de tout défaut de matériel et de fabrication pour la période de garantie indiquée ci-dessous.

| Produit | Période de garantie selon la première éventualité : |
|--|--|
| Pompes à éjecteur, petites pompes centrifuges, pompes submersibles et accessoires connexes | 12 mois à partir de la date de première installation ou 18 mois à partir de la date de fabrication |
| Réservoirs en fibre enroulée | 5 ans à partir de la date de première installation |
| Réservoirs sous pression en acier | 5 ans à partir de la date de première installation |
| Produits pour puisard/eaux usées/effluents | 12 mois à partir de la date de première installation ou 36 mois à partir de la date de fabrication |
| Unités de batterie de secours MBSP-2, MBSP-2C | 12 mois à partir de la date de première installation ou 18 mois à partir de la date de fabrication |
| MBSP-3, MBSP-3C | 24 mois à partir de la date de première installation ou 30 mois à partir de la date de fabrication |
| Pompes de traitement des matières solides des eaux usées | 12 mois à partir de la date de première installation ou 18 mois à partir de la date de fabrication |

Notre garantie s'applique uniquement quand ces produits sont utilisés conformément aux exigences du catalogue et/ou des manuels des produits concernés. Pour plus d'information, consultez la garantie limitée standard applicable dans le manuel du produit.

Notre garantie ne s'applique pas aux produits qui, à notre seul avis, ont fait l'objet de négligence, d'une mauvaise utilisation, d'une mauvaise installation ou d'un manque d'entretien adéquat. Sans aucune limitation des présentes, l'utilisation d'un moteur triphasé sur un courant monophasé par l'intermédiaire d'un déphaseur annulera la garantie. Il faut également noter que les moteurs triphasés doivent être protégés par un relais de surcharge tripolaire thermocompensé à déclenchement extrêmement rapide du calibre recommandé, sinon la garantie sera annulée.

Votre seul recours et la seule responsabilité de MYERS sont que MYERS répare ou remplace les produits défectueux (au choix de MYERS). Vous vous engagez à payer tous les frais de main-d'œuvre et d'expédition du produit couvert par cette garantie et de vous adresser au concessionnaire-installateur dès qu'un problème est découvert pour obtenir un service sous garantie. Aucune demande de service ne sera acceptée après l'expiration de la période de garantie. Cette garantie n'est pas transférable.

MYERS NE SERA TENUE RESPONSABLE D'AUCUN DOMMAGE INDIRECT, ACCIDENTEL OU FORTUIT, QUEL QU'IL SOIT.

LES GARANTIES LIMITÉES SUSMENTIONNÉES SONT EXCLUSIVES ET REMPLACENT TOUTES LES AUTRES GARANTIES EXPRESSES ET TACITES, Y COMPRIS, MAIS SANS S'Y LIMITER, LES GARANTIES TACITES DE QUALITÉ MARCHANDE ET D'ADAPTATION À UN USAGE PARTICULIER. LES GARANTIES LIMITÉES SUSMENTIONNÉES NE DOIVENT PAS ÊTRE PROLONGÉES AU-DELÀ DE LA DURÉE PRÉVUE AUX PRÉSENTES.

Certaines provinces n'autorisent pas d'exclure ou de limiter les dommages fortuits ou indirects ou de limiter la durée d'une garantie implicite; il se peut donc que les limitations ou exclusions ci-dessus ne s'appliquent pas à votre cas. La présente garantie vous donne des droits juridiques spécifiques et vous pouvez en avoir d'autres qui varient d'une province à l'autre.

Cette garantie limitée entre en vigueur le 1er avril 2014 et remplace toutes les garanties non datées et les garanties datées avant le 1er avril 2014.

MYERS

293 Wright Street, Delavan, WI 53115

Téléphone : 888-987-8677 • Télécopieur : 800-426-9446 • www.femyers.com

Au Canada: 490 chemin Pinebush, unité 4, Cambridge, Ontario N1T 0A5

Téléphone : 800-363-7867 Télécopieur : 888-606-5484